

## Data sheet

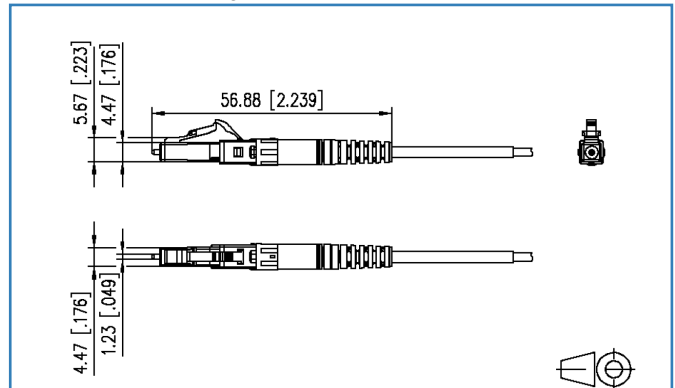
### OpDAT FAST™ Hybrid connector kit LC UPC OS2 for cables Ø 2.0 + 3.0 mm, 20 pièces including cleaver set and cable assembly set

P/N  
1509QKJO002C-E  
EAN 4251394625416  
2019/07/26  
Version: A

#### Illustrations



Dimensional drawing



See enlarged drawings at the end of document

#### Product specification

- field-attachable FO-plug
- with hybrid technology: refractive index gel plus opto-elastomer guarantee very good and constant optical values
- no polishing, no gluing during assembly on site
- simple, easy to learn, fast and cost-effective installation in less than two minutes
- the plug can be assembled up to three times
- with plug type LC for singlemode (UPC and APC ground joint)
- plug kits for fibre optic wires with Ø 0.25 and Ø 0.9 mm (fiber with primary or secondary coating)
- plug kits for fibre optic cables with Ø 2.0 and Ø 3.0 mm
- every plug has a serial number, so that traceability is possible at any time
- Depending on the variant, a maintenance-free separating device (Cleaver) is included in the scope of supply. It can be used up to 200 times.
- the cable variants include a cable assembly set in the scope of supply
- fields of application:
  - for FTTH and FITH connections
  - repairs in the field
  - in areas which are difficult to access or limited in space
  - for direct mounting on components
- variants for wires: 10 pieces without Cleaver, 20 or 100 pieces with Cleaver
- variants for cables: 10 pieces without Cleaver and cable assembly set, 20 or 100 pieces with Cleaver and cable assembly set



## OpDAT FAST™ Hybrid connector kit LC UPC OS2 for cables Ø 2.0 + 3.0 mm, 20 pièces including cleaver set and cable assembly set

P/N  
1509QKJO002C-E  
EAN 4251394625416  
2019/07/26  
Version: A

### Technical Data

#### General Data

Fields of application	Structured building cabling, Fiber to the Desk
Design	plug, field assembly
Transmission technology	Fiber optic
Color	blue
Dimensions	
Dimension	57 mm x 4.47 mm x 4.47 mm
Dimension	2.244 in. x 0.175 in. x 0.175 in.
Mode type of the fiber	Single mode
Shape	UPC (Ultra Physical Contact)

#### Connections/interfaces

Connector technology interface 1	Fast Hybrid
Connector technology interface 2	LC
Cable sheath diameter (min. - max.)	
Cable sheath diameter	2 mm - 3 mm
Cable access/outlet	180°

#### Electrical characteristics

Insertion loss	max. 0.5 dB, typ. 0,3 dB dB
Return loss	min. 45 dB dB

#### Mechanical characteristics

Connector type	simplex
Mounting method	snap-in function

#### Materials and material properties

Material - Housing	Plastics
Material - Cable boot	elastomer, flame-retardant and halogen free
Material - Ferrule	Ceramic
Material - Dust protection	elastomer, flame-retardant and halogen free
RoHS	compliant

Data sheet

Page 3/4

**OpDAT FAST™ Hybrid connector kit LC UPC OS2  
for cables Ø 2.0 + 3.0 mm, 20 pièces including cleaver set and  
cable assembly set**

P/N 1509QKJO002C-E  
EAN 4251394625416  
2019/07/26  
Version: A

**Technical Data**

**Environmental conditions**

Temperature (min. - max.)

Temperature - Storage Å°C	-40 °C - 75 °C
Temperature - Storage Å°F	-40 °F - 167 °F
Temperature - Operating Å°C	-40 °C - 75 °C
Temperature - Operating Å°F	-40 °F - 167 °F

**The product meets the following standards**

Fibre optic connector interfaces	IEC 61754-20 / TIA/EIA 604-10-A
Fibre optic connector interfaces	IEC 61754-20

**Classifications**

ETIM 7.0	EC001122
----------	----------

**Packing details**

Type of packaging	20 pc(s)
-------------------	----------

© 2019 METZ CONNECT - Technische Änderungen vorbehalten! Subject to modifications! Sous réserve de modifications techniques!

Data sheet

Page 4/4

**OpDAT FAST™ Hybrid connector kit LC UPC OS2**  
**for cables Ø 2.0 + 3.0 mm, 20 pièces including cleaver set and**  
**cable assembly set**

P/N 1509QKJO002C-E  
EAN 4251394625416  
2019/07/26  
Version: A

**Illustrations**

Dimensional drawing

