



PG600R~PG606R

GLASS PASSIVATED JUNCTION FAST SWITCHING RECTIFIERS

VOLTAGE 50 to 600 Volts **CURRENT** 6.0 Amperes

P-600

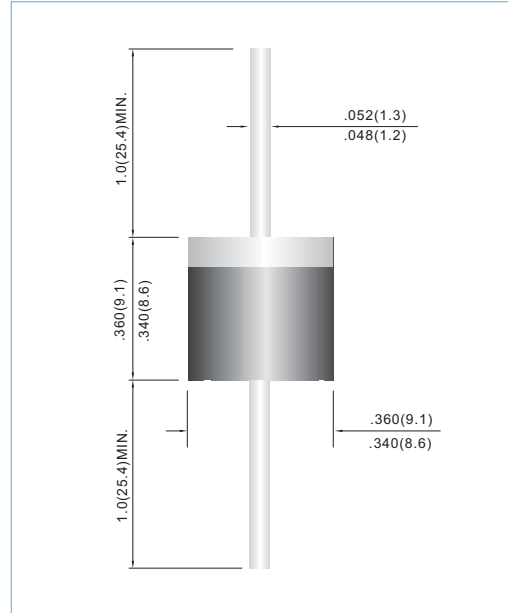
Unit: inch(mm)

FEATURES

- Plastic package has Underwriters Laboratory Flammability Classification 94V-O utilizing Flame Retardant Epoxy Molding Compound.
- Glass passivated junction in P600 package.
- Exceeds environmental standards of MIL-S-19500/228
- 6 ampere operation at $T_A=60^{\circ}\text{C}$ with no thermal runaway.
- Fast switching for high efficiency.
- Lead free in compliance with EU RoHS 2011/65/EU directive

MECHANICAL DATA

- Case: Molded plastic, P600
- Terminals: Axial leads, solderable to MIL-STD-750, Method 2026
- Polarity: Color Band denotes cathode end
- Mounting Position: Any
- Weight: 0.0719 ounce, 2.04 gram



MAXIMUM RATINGS AND ELECTRICAL CHARACTERISTICS

Ratings at 25°C ambient temperature unless otherwise specified.
Resistive or inductive load, 60Hz.

PARAMETER	SYMBOL	PG600R	PG601R	PG602R	PG604R	PG606R	UNITS
Maximum Recurrent Peak Reverse Voltage	V_{RRM}	50	100	200	400	600	V
Maximum RMS Voltage	V_{RMS}	35	70	140	280	420	V
Maximum DC Blocking Voltage	V_{DC}	50	100	200	400	600	V
Maximum Average Forward Current .375"(9.5mm) lead length at $T_A=60^{\circ}\text{C}$	$I_{F(AV)}$	6					A
Peak Forward Surge Current : IFM (surge): 8.3ms single half sine-wave superimposed on rated load(JEDEC method)	I_{FSM}	250					A
Maximum Forward Voltage at 6.0A	V_F	1.3					V
Maximum Full Load Reverse Current Full Cycle Average at $T_J=25^{\circ}\text{C}$ Maximum DC Reverse Current at Rated DC Blocking Voltage $T_J=100^{\circ}\text{C}$	I_R	1.0 200					μA
Maximum Reverse Recovery Time(Note 1)	t_{rr}	150				250	ns
Typical Junction capacitance (Note 2)	C_J	300					pF
Typical Junction Resistance at .375" (9.5mm) lead length	$R_{\theta JA}$	10					$^{\circ}\text{C} / \text{W}$
Operating and Storage Temperature Range	T_J, T_{STG}	-50 to +150					$^{\circ}\text{C}$

NOTES:1. Reverse Recovery Test Conditions: $I_F=.5\text{A}$, $I_R=1\text{A}$, $I_{rr}=.25\text{A}$
2. Measured at 1 MHz and applied reverse voltage of 4.0 VDC



PG600R~PG606R

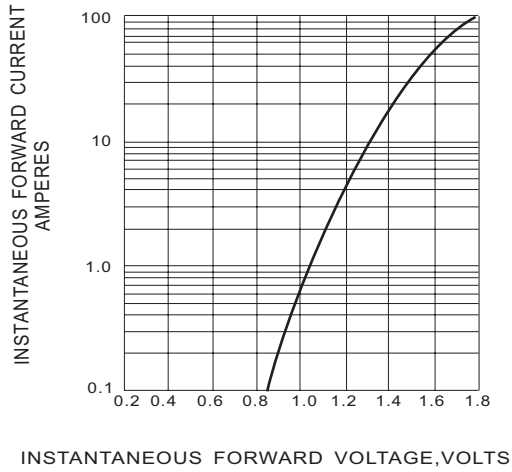


Fig.1-FORWARD CHARACTERISTICS

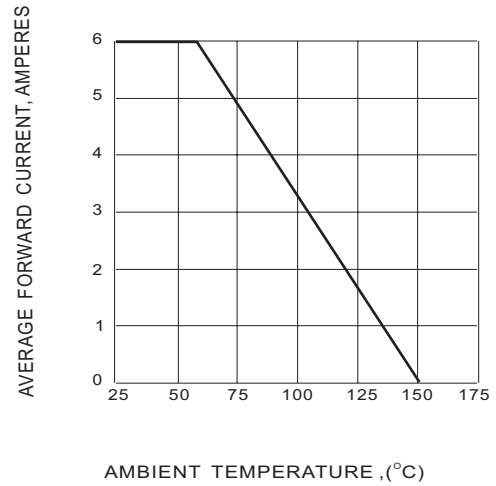


Fig.2-FORWARD CURRENT DERATING CURVE

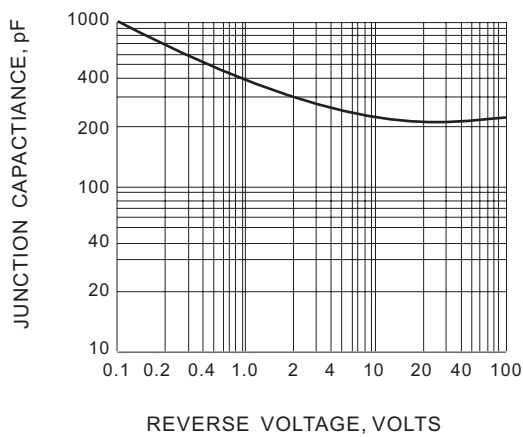


Fig.3-TYPICAL JUNCTION CAPACITANCE

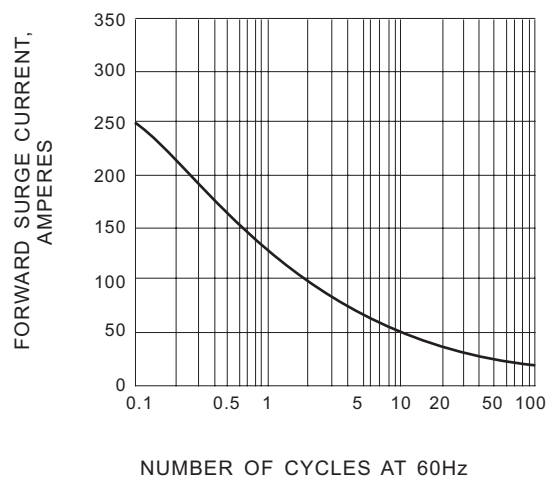


Fig.4-PEAK FORWARD SURGE CURRENT

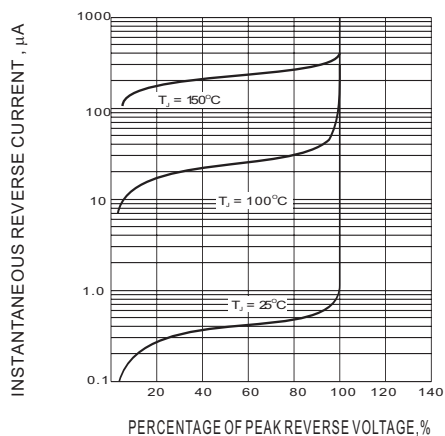


Fig.5-TYPICAL REVERSE CHARACTERISTIC



PG600R~PG606R

Part No_packing code_Version

- PG600R_AY_00001
- PG600R_AY_10001
- PG600R_B0_00001
- PG600R_B0_10001
- PG600R_R2_00001
- PG600R_R2_10001

For example :

RB500V-40_R2_00001



Packing Code XX				Version Code XXXXX		
Packing type	1 st Code	Packing size code	2 nd Code	HF or RoHS	1 st Code	2 nd ~5 th Code
Tape and Ammunition Box (T/B)	A	N/A	0	HF	0	serial number
Tape and Reel (T/R)	R	7"	1	RoHS	1	serial number
Bulk Packing (B/P)	B	13"	2			
Tube Packing (T/P)	T	26mm	X			
Tape and Reel (Right Oriented) (TRR)	S	52mm	Y			
Tape and Reel (Left Oriented) (TRL)	L	PANASERT T/B CATHODE UP (PBCU)	U			
FORMING	F	PANASERT T/B CATHODE DOWN (PBCD)	D			



PG600R~PG606R

Disclaimer

- Reproducing and modifying information of the document is prohibited without permission from Panjit International Inc..
- Panjit International Inc. reserves the rights to make changes of the content herein the document anytime without notification. Please refer to our website for the latest document.
- Panjit International Inc. disclaims any and all liability arising out of the application or use of any product including damages incidentally and consequentially occurred.
- Panjit International Inc. does not assume any and all implied warranties, including warranties of fitness for particular purpose, non-infringement and merchantability.
- Applications shown on the herein document are examples of standard use and operation. Customers are responsible in comprehending the suitable use in particular applications. Panjit International Inc. makes no representation or warranty that such applications will be suitable for the specified use without further testing or modification.
- The products shown herein are not designed and authorized for equipments requiring high level of reliability or relating to human life and for any applications concerning life-saving or life-sustaining, such as medical instruments, transportation equipment, aerospace machinery et cetera. Customers using or selling these products for use in such applications do so at their own risk and agree to fully indemnify Panjit International Inc. for any damages resulting from such improper use or sale.
- Since Panjit uses lot number as the tracking base, please provide the lot number for tracking when complaining.

Mouser Electronics

Authorized Distributor

Click to View Pricing, Inventory, Delivery & Lifecycle Information:

[Panjit:](#)

[PG600R_B0_00001](#) [PG600R_R2_10001](#) [PG600R_AY_00001](#) [PG600R_R2_00001](#) [PG600R_AY_10001](#)
[PG600R_B0_10001](#)