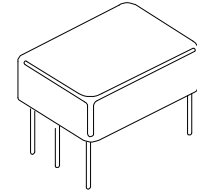




Pletronics, Inc.

19013 36th Ave. W, Suite H • Lynnwood, WA 98036 USA
Manufacturer of High Quality Frequency Control Products

OC192 OCXO Series



- 1.4"x1.06" Nominal Thru-Hole Oven Controlled Xtal Oscillator
- Electronic Adjustment

10.00 MHz – 60.00 MHz

Standard Specifications

Operating Temperature Range	0 to +50°C to -30 to +70°C available			
Overall Frequency Stability	vs. Temp	$\pm 5 \times 10^{-9}$ over Operating Temperature Range available		
	vs. Vdc / Load	$\pm 1 \times 10^{-8}$ for $\pm 5\%$ load or supply change		
	Aging	± 1 PPM max. for 10 years at 25°C $\pm 5^\circ\text{C}$ at 10 MHz (Consult factory for other frequencies)		
Frequency Adj	Electrical: ± 1 PPM typical			
Supply Voltage (Vdc)	+5 to +12 Vdc available			
Supply Current (Icc)	2.0 Watts typical steady state, 5.5 Watts maximum at turn-on			
Phase Noise	Consult Factory			
Jitter	Consult Factory			
Oven Monitor	Consult Factory			

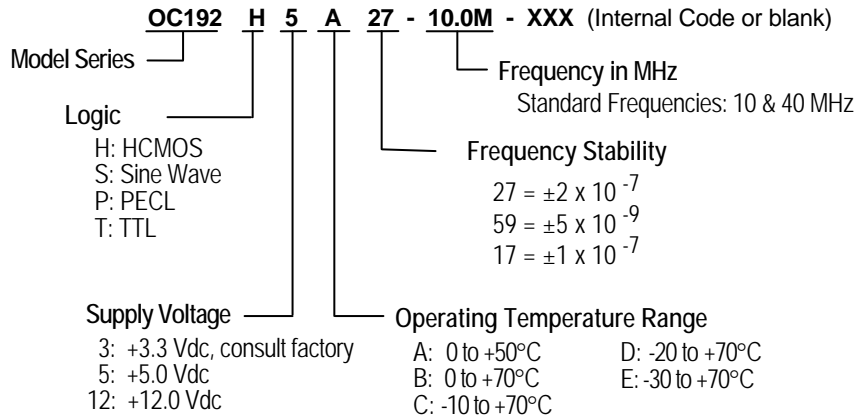
Output Logic	HCMOS	Sine Wave	PECL	TTL
Output Voltage Levels	Logic "1" 90% of Vcc min Logic "0" 10% of Vcc max	+7 dBm typical	Consult Factory	Consult Factory
Output Load (Test Circuit TBD)	10 TTL Loads or 15pF	50 ohms		

Part Numbering Guide

Consult factory for available frequencies and specs. Not all options available for all frequencies. A special p/n may be assigned.

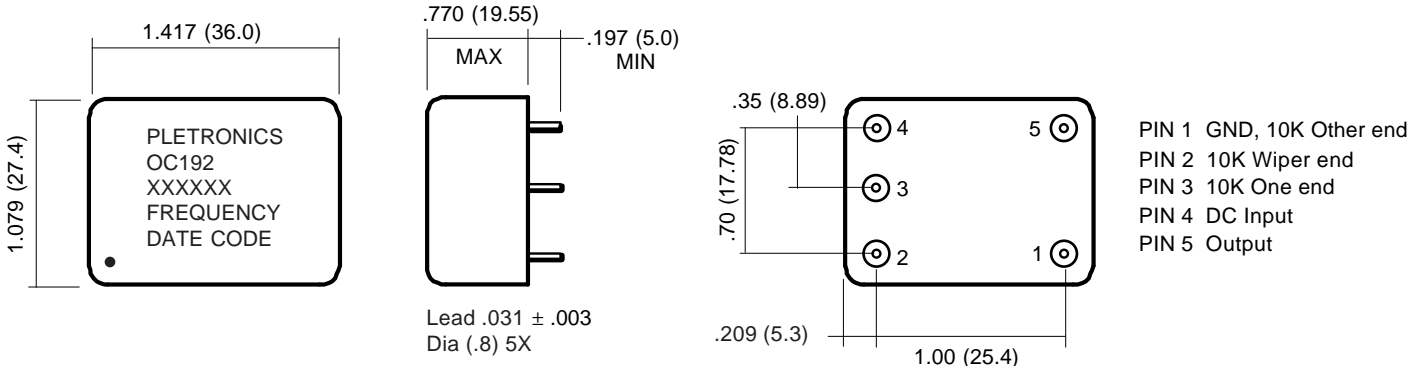
Frequency Stability is inclusive of frequency shifts due to calibration, temperature, supply voltage, shock, vibration and load

Portions of the part number that appear after the frequency may not be marked on part (C of C provided)



Mechanical: inches (mm) not to scale

Due to part size and factory abilities, part marking may vary from lot to lot and may contain our part number or an internal code.



Oct 31, 2003