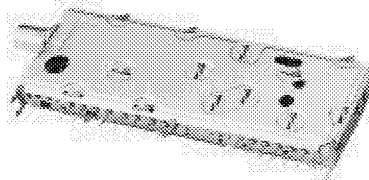


Type : **CT10TS**

Part No.: **ENA4**□□□□□□

Type CT10TS (Double Conversion) , high performance for digital / analog compatible transmission receiver.



Features

- Super low profile, Best fit on PC card
- Vertical and Horizontal mounting available

Recommended Applications

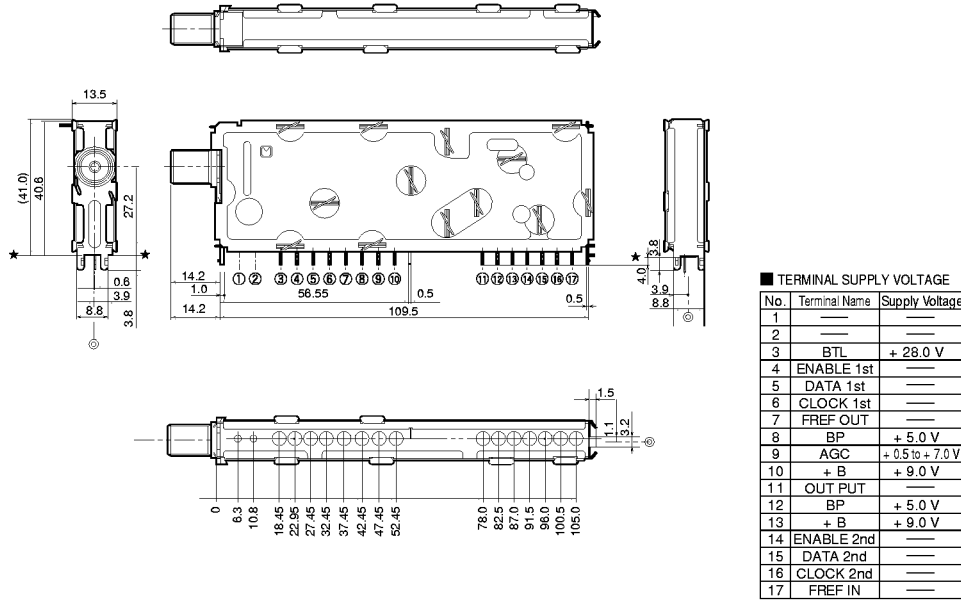
- Digital Set Top Box, PC card

■ Performance Specifications, Summary

1. RF Input Tuning Range	54 to 806 MHz
2. RF Input Impedance	75 Ω Unbalanced
3. AGC Range	50 dB min.
4. Passband Flatness	+ / -1.0 dB 41 to 47 MHz
5. Gain	35 dB typ.
6. Noise Figure	7 dB typ. 9.5 dB max.
7. Phase Noise	- 80 dBc / Hz typ. @10 kHz offset
8. Output Frequency	44 MHz
9. PLL Interface	3 wire I ² C under development
10. Lo tuning time	50 mS max.

■ Dimensions in mm (not to scale)

● CT10TS



■ Block Diagram (CT10TS)

