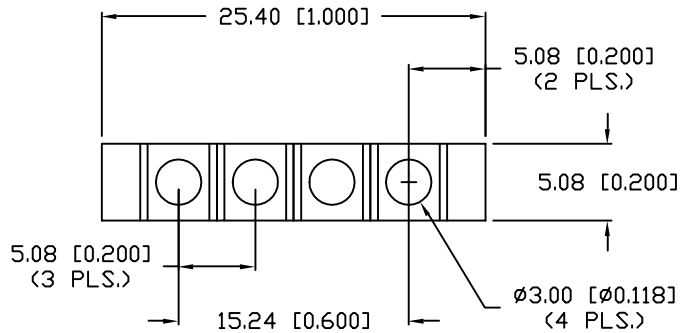


UNCONTROLLED DOCUMENT

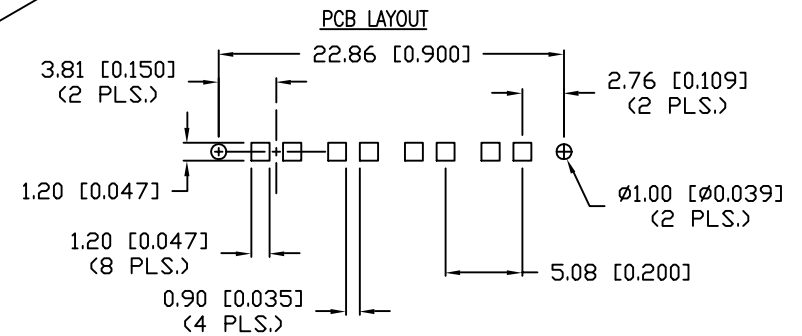
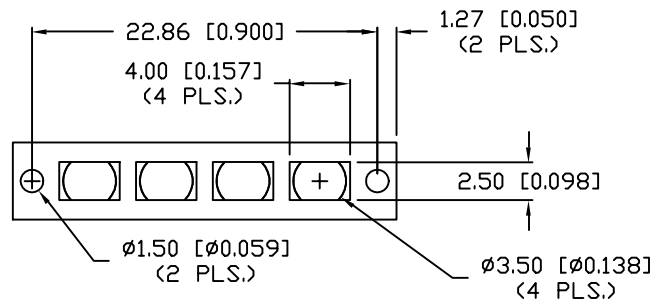
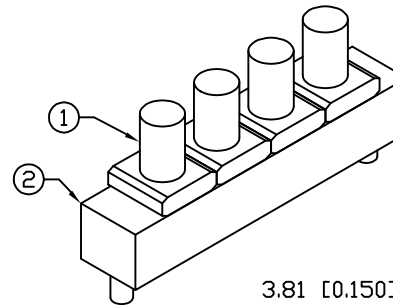
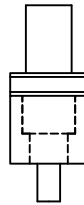
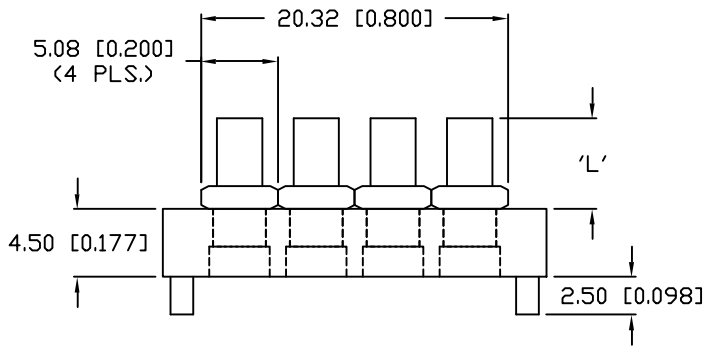
PART NUMBER		REV.
LLP-LXC040301S-X		
REV.	E.C.N. NUMBER AND REVISION COMMENTS	DATE



DIM 'L'	SUFFIX: -X
2mm	-2
4mm	-4
10mm	-10
15mm	-15
20mm	-20
30mm	-30
40mm	-40
50mm	-50
CUSTOM	YOUR LENGTH

NOTES:

1. MATERIAL: CLEAR POLYCARBONATE, UL94V-0. (LIGHT PIPE)
2. MATERIAL: BLACK NORYL, UL 94V-0. (HOLDER)
3. TEMP. RANGE: -60°C TO +125°C.
4. RECOMMENDED LED: SML-LX0805xx SERIES.



UNCONTROLLED DOCUMENT

*UNLESS OTHERWISE SPECIFIED TOLERANCE IS ±0.25mm (±0.010")

REV.	PART NUMBER	CONFIDENTIAL INFORMATION			290 E. HELLEN ROAD PALATINE, ILLINOIS 60067 PHONE: 1-847-359-2790 WEB: HTTP://WWW.LUMEX.COM	
	LLP-LXC040301S-X	<p>THE INFORMATION CONTAINED IN THIS DOCUMENT IS THE PROPERTY OF LUMEX INC. EXCEPT AS SPECIFICALLY AUTHORIZED IN WRITING BY LUMEX INC., THE HOLDER OF THIS DOCUMENT SHALL KEEP ALL INFORMATION CONTAINED HEREIN CONFIDENTIAL AND SHALL PROTECT SAME IN WHOLE OR IN PART FROM DISCLOSURE AND DISSEMINATION TO ALL THIRD PARTIES.</p> <p>RELIABILITY NOTE OUR MANY YEARS OF EXPERIENCE DATA ACCUMULATION INDICATE THAT SOLDER HEAT IS A MAJOR CAUSE OF EARLY AND FUTURE FAILURE. PLEASE PAY ATTENTION TO YOUR SOLDERING PROCESS.</p>			DRAWN BY:	CHECKED BY:
3mm, QUAD UNIT, VERTICAL SMT LIGHT PIPE.				DU		DATE: 2-4-99
						PAGE: 1 OF 1 SCALE: N/A

3mm Round End Tip, 4 Unit Vertical SMT

INDEX

- [Product Table](#)
- [Compatible LEDs](#)
- [Order Samples](#)
- [Stock/Price Request](#)
- [Sales and Tech Support](#)

PRODUCT TREE

1. [Product Gallery](#)
2. [Light Pipes for SMT and Leaded LEDs](#)
3. [3mm Round End Tip, 4 Unit Vertical SMT](#)

Lumex drawings are in PDF format. If you don't have Adobe Acrobat, click on this icon to

[download a free copy](#)

[View](#)

Image next to part no. indicates cad file.

Part Number	Light Pipe Material	Holder Material	Temp. Range	Ideal LED
LLP-LXC040301S-X View	Clear Polycarbonate, UL94V-0	Black Noryl, UL 94V-0	-60 deg.C to +125 deg.C	SML-LX0805xx Series

Compatible LEDs

[\[top of page\]](#)

- [SML-LX0805xx Series](#)
- [SML-LX0805XC-TR Series](#) - Includes All 0805 Package Styles

[Home](#) | [What's New](#) | [Product Gallery](#) | [Product Search](#) | [X-Ref Search Engine](#) | [Tech Notes](#) | [Sales and Tech Support](#) | [Corporate Info](#)

290 East Helen Road Palatine, IL 60067 Telephone: (847) 359-2790 Facsimile: (847) 359-8904 E-mail us at sales@lumex.com