

4-2-3-2-INPUT AND-OR GATE

54/7464

SPEED/PACKAGE AVAILABILITY

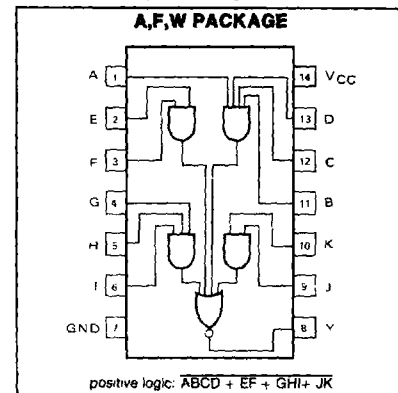
54S F,W 74S A,F

SWITCHING CHARACTERISTICS $V_{CC} = 5V, T_A = 25^\circ C$

TEST CONDITIONS	54/74S			UNIT
	MIN	TYP	MAX	
Propagation delay time t_{PLH} Low-to-high	2	3.5	5.5	ns
		$C_L = 15pF$ 5		
t_{PHL} High-to-low	2	3.5	5.5	ns
		$C_L = 50pF$ 5.5		

Load circuit and typical waveforms are shown at the front of section.

PIN CONFIGURATION



4-2-3-2-INPUT AND-OR GATE

54/7465

SPEED/PACKAGE AVAILABILITY

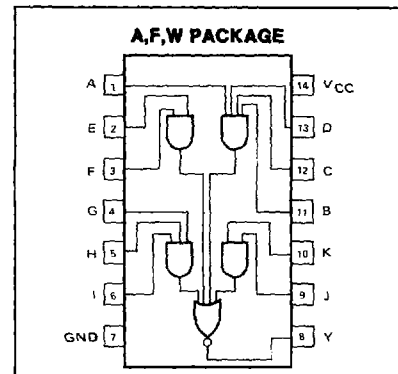
54S F,W 74S A,F

SWITCHING CHARACTERISTICS $V_{CC} = 5V, T_A = 25^\circ C$

TEST CONDITIONS	54/74S			UNIT
	MIN	TYP	MAX	
Propagation delay time t_{PLH} Low-to-high	2	5	7.5	ns
		$C_L = 50pF$ 8		
t_{PHL} High-to-low	2	5.5	8.5	ns
		$C_L = 50pF$ 6.5		

Load circuit and typical waveforms are shown at the front of section.

PIN CONFIGURATION



10101