

**FC-Type Plug  
LGC-100 Series**

**FC-Type**


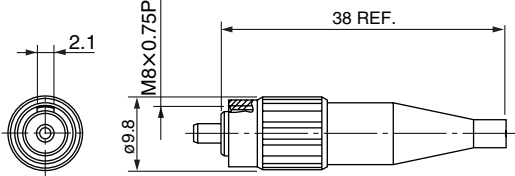
**JIS C 5970 F01 Type**


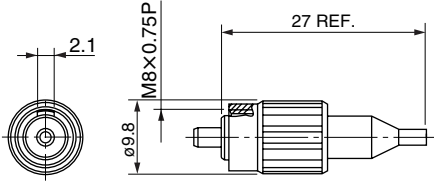
**Plug**

Each FC-type plug consists of a plug housing and a ferrule.

**FC-Type Plug Housing**


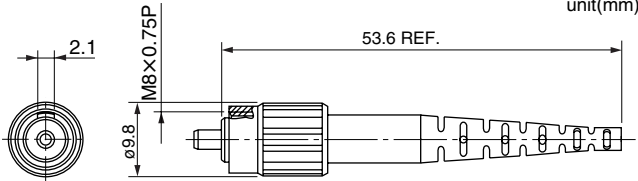
Applicable to optical cords having on outside diameter of  $\phi 2$  or  $\phi 2.8$ mm and  $\phi 0.9$ mm. For boot colors, please contact us for those other than specified below. A cap is attached.

Item Number	Applicable Outside Diameter of Optical fiber cords	Note
LGC-PH2	$\phi 2$ mm	(Boot color : Black)
LGC-PH	$\phi 2.8$ mm	
		 <p>Ferrule is excluded.</p>

Item Number	Applicable Outside Diameter of Optical fiber cords	Note
LGC-PH3B	$\phi 0.9$ mm	For PC polishing (Boot color : Blue)
LGC-PH3L		For AdPC polishing (Boot color : Mauve)
LGC-PH3		For AdPC polishing (Boot color : Yellow)
		 <p>Ferrule is excluded.</p>

**●Crimp Assembly Type**

This type is assembled by caulking the kevler and sheath of the optical fiber cord to the plug housing in the same way as in SC type plug.

Item Number	Applicable Outside Diameter of Optical fiber cords	Note
LGC-PH5B	$\phi 2$ mm	For PC polishing (Boot color : Blue)
LGC-PH5L		For AdPC polishing (Boot color : Mauve)
		 <p>Ferrule is excluded.</p>