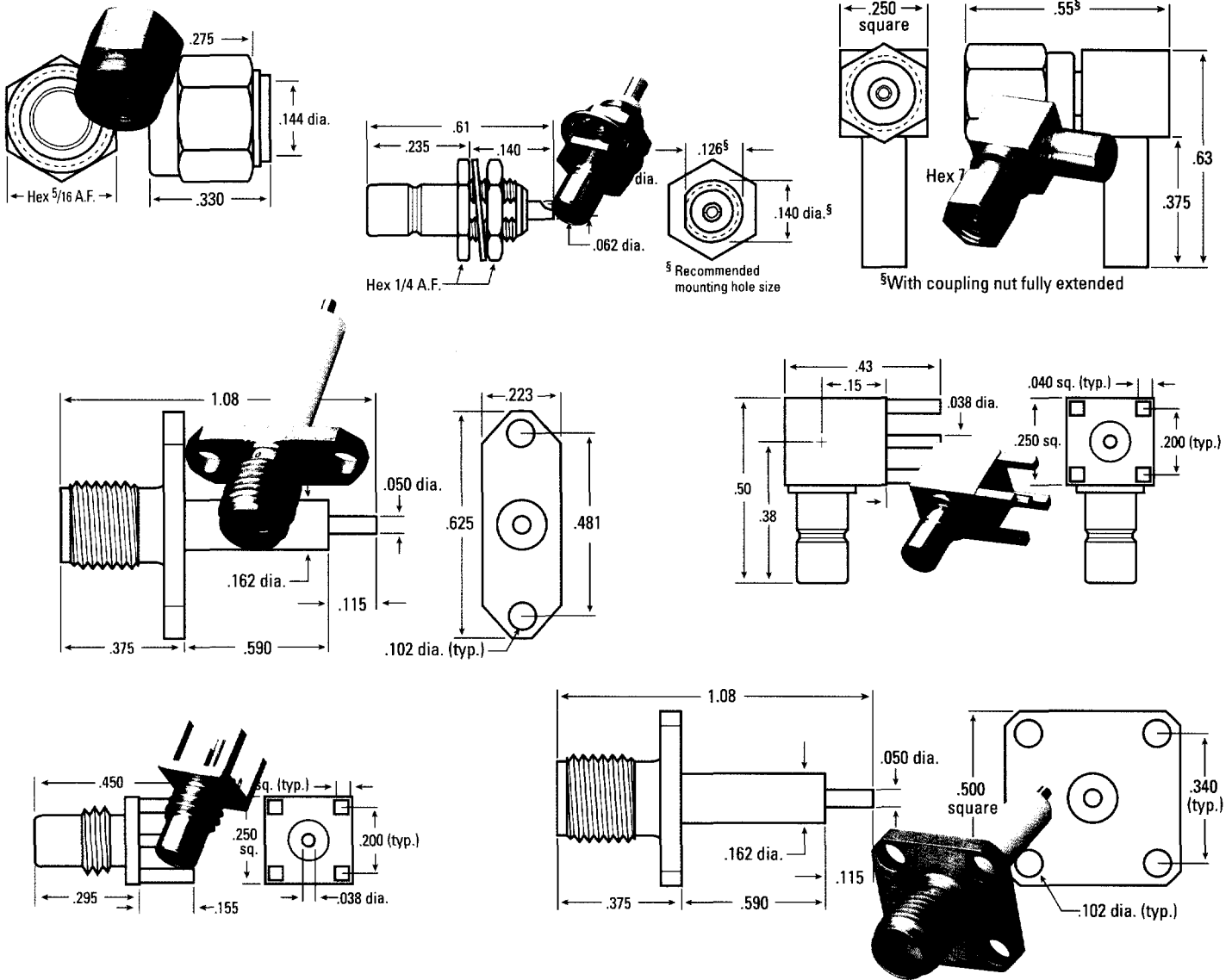


# MIL-PRF-39012 OPTIC CONNECTORS

## Series SMA, SMB, and SMC



**APPLIED ENGINEERING PRODUCTS**

104 John W. Murphy Drive • P.O. Box 510  
New Haven, CT 06513  
(203) 776-2813 • FAX (203) 776-8294

**ISO 9001**  
CERTIFIED

APEPS00010



In order to avoid presenting information that may rapidly become obsolete due to the frequently-changing nature of MIL-PRF-39012, these listings describe our QPL connectors by description of their configuration only. For up-to-date information on dimensions, plating specifications, or performance requirements, please call AEP or consult the current release of MIL-PRF-39012.

## SMA Series



All AEP SMA series QPL connectors have passivated stainless steel bodies and coupling nuts, except direct-solder plugs and jacks for semi-rigid cable. These items have gold-plated bodies for solderability.

**Straight plug for flexible cable, clamp type (Category A)**

Cable	With lockwire holes	No lockwire holes
RG-178	M39012/55-3006	M39012/55-3106
RG-316	M39012/55-3007	M39012/55-3107
RG-122	M39012/55-3008	M39012/55-3108
RG-58,142	M39012/55-3009	M39012/55-3109
RG-303	M39012/55-3010	M39012/55-3110

**Bulkhead jack for flexible cable, clamp type (Category A)**

Cable	MIL P/N
RG-178	M39012/59-3006
RG-316	M39012/59-3007
RG-122	M39012/59-3008
RG-58,142	M39012/59-3009
RG-303	M39012/59-3010

**Straight plug for flexible cable, crimp type (Category C)**

Cable	With lockwire holes	No lockwire holes
RG-178	M39012/55-3025	M39012/55-3125
RG-316	M39012/55-3026	M39012/55-3126
RG-122	M39012/55-3027	M39012/55-3127
RG-142	M39012/55-3028	M39012/55-3128
RG-58, 303	M39012/55-3029	M39012/55-3129

**Bulkhead jack for semi-rigid cable, solder-clamp type (Category B)**

Cable	MIL P/N
RG-405	M39012/83B3003
RG-402	M39012/83B3004

**Straight plug for semi-rigid cable, solder-clamp type (Category B)**

Cable	With lockwire holes	No lockwire holes
RG-405	M39012/79B3003	M39012/79B3103
RG-402	M39012/79B3004	M39012/79B3104

**Flange mount panel jack receptacle, solder pot contact**

4-hole flange	2-hole flange
M39012/60-3001	M39012/60-3002

**Straight plug for .141" semi-rigid cable, direct-solder type (Category B)**

(Uses cable dielectric and center conductor as insulator and contact)

Cable	With lockwire holes	No lockwire holes
RG-405	M39012/92B3001	M39012/92B3101

**Bulkhead jack receptacle, solder pot contact**

Rear mount	Front mount
M39012/61-3001	M39012/61-3002



### APPLIED ENGINEERING PRODUCTS

104 John W. Murphy Drive • P.O. Box 510 • New Haven, CT 06513

(203) 776-2813 • FAX (203) 776-8294



## SMB and SMC Series



AEP SMB and SMC series QPL connectors have gold or silver plated bodies as noted.

### Straight plug for flexible cable, clamp type (Category A)

Cable	SMB Series		SMC Series	
	Gold plated	Silver plated	Gold plated	Silver plated
RG-178	M39012/67-0003	M39012/67-0103	M39012/73-0003	M39012/73-0103
RG-316	M39012/67-0004	M39012/67-0104	M39012/73-0004	M39012/73-0104

### Straight plug for flexible cable, crimp type (Category B)

Cable	SMB Series		SMC Series	
	Gold plated	Silver plated	Gold plated	Silver plated
RG-178	M39012/67B0008	M39012/67B0013	M39012/73B0008	M39012/73B0013
RG-316	M39012/67B0009	M39012/67B0014	M39012/73B0009	M39012/73B0014
RG-179	M39012/67B0010	M39012/67B0015	M39012/73B0010	M39012/73B0015

### Right angle plug for flexible cable, clamp type (Category A)

Cable	SMB Series		SMC Series	
	Gold plated	Silver plated	Gold plated	Silver plated
RG-178	M39012/69-0003	M39012/69-0103	M39012/75-0003	M39012/75-0103
RG-316	M39012/69-0004	M39012/69-0104	M39012/75-0004	M39012/75-0104

### Right angle plug for flexible cable, crimp type (Category B)

Cable	SMB Series		SMC Series	
	Gold plated	Silver plated	Gold plated	Silver plated
RG-178	M39012/69B0008	M39012/69B0013	M39012/75B0008	M39012/75B0013
RG-316	M39012/69B0009	M39012/69B0014	M39012/75B0009	M39012/75B0014
RG-179	M39012/69B0010	M39012/69B0015	M39012/75B0010	M39012/75B0015

### Straight jack for flexible cable, clamp type (Category A)

Cable	SMB Series		SMC Series	
	Gold plated	Silver plated	Gold plated	Silver plated
RG-178	M39012/68-0003	M39012/68-0103	M39012/74-0003	M39012/74-0103
RG-316	M39012/68-0004	M39012/68-0104	M39012/74-0004	M39012/74-0104

### Straight jack for flexible cable, crimp type (Category B)

Cable	SMB Series		SMC Series	
	Gold plated	Silver plated	Gold plated	Silver plated
RG-178	M39012/68B0008	M39012/68B0013	M39012/74B0008	M39012/74B0013
RG-316	M39012/68B0009	M39012/68B0014	M39012/74B0009	M39012/74B0014
RG-179	M39012/68B0010	M39012/68B0015	M39012/74B0010	M39012/74B0015

### Bulkhead jack for flexible cable, clamp type (Category A)

Cable	SMB Series		SMC Series	
	Gold plated	Silver plated	Gold plated	Silver plated
RG-178	M39012/70-0003	M39012/70-0103	M39012/76-0003	M39012/76-0103
RG-316	M39012/70-0004	M39012/70-0104	M39012/76-0004	M39012/76-0104

### Bulkhead jack for flexible cable, crimp type (Category B)

Cable	SMB Series		SMC Series	
	Gold plated	Silver plated	Gold plated	Silver plated
RG-178	M39012/70B0008	M39012/70B0013	M39012/76B0008	M39012/76B0013
RG-316	M39012/70B0009	M39012/70B0014	M39012/76B0009	M39012/76B0014
RG-179	M39012/70B0010	M39012/70B0015	M39012/76B0010	M39012/76B0015

### Straight P.C. board jack receptacle

Leg length	SMB Series	
	Gold plated	Silver plated
.155	M39012/95-0001	M39012/95-0004
.125	M39012/95-0002	M39012/95-0005
.093	M39012/95-0003	M39012/95-0006

### Right angle P.C. board jack receptacle

Leg length	SMB Series	
	Gold plated	Silver plated
.155	M39012/96-0001	M39012/96-0004
.125	M39012/96-0002	M39012/96-0005
.093	M39012/96-0003	M39012/96-0006

### Bulkhead jack receptacle, solder pot contact, rear mount

SMB Series	
Gold plated	Silver plated
M39012/71-0001	M39012/71-0003
SMC Series	
Gold plated	Silver plated
M39012/77-0001	M39012/77-0003

### Bulkhead jack receptacle, solder pot contact, front mount

SMB Series	
Gold plated	Silver plated
M39012/71-0002	M39012/71-0004
SMC Series	
Gold plated	Silver plated
M39012/77-0002	M39012/77-0004

In addition to the MIL-PRF-39012 QPL connectors in this brochure, we manufacture a complete line of submarine and general connectors and cable assemblies, including:

- SMA
- SMB
- SMC
- SSMB
- SSMC
- SSMC
- SLB Slide-on
- SSLB Slide-on
- 75Ω Snap-on
- Positive-locking 75Ω plugs
- 75Ω Screw-on
- Surface mount and edge mount
- Vibration-proof float mounts
- Waterproof connectors
- Reverse-polarity SMA and TNC
- Adapters within and between series
- Flexible cable assemblies
- Semi-rigid cable assemblies

Call for your copy of our 184-page full catalog to see them all.



**APPLIED ENGINEERING PRODUCTS**

104 John W. Murphy Drive • P.O. Box 510  
New Haven, CT 06513

(203) 776-2813 • FAX (203) 776-8294

**ISO 9001**  
CERTIFIED