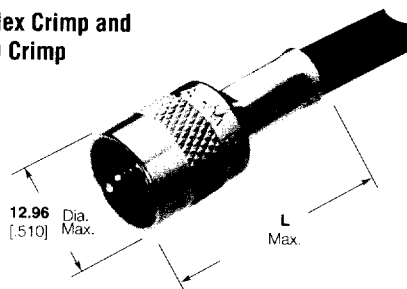


TNC Connectors, 75 Ohm

Plugs, Crimp

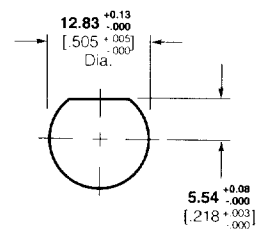
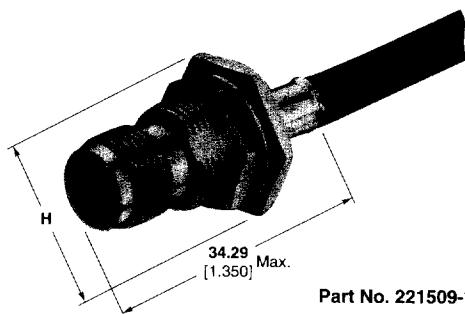
These connectors have been designed for optimum performance and have a true 75 ohm impedance the complete length of the connector. The crimp die tooling listed below is different from the equivalent 50 ohm connectors.

Hex Crimp and O Crimp



RG/U Cable	Termination Type	Center Contact Plating	Body Plating	Dielectric	Style	Dim. L	Interchangeable Dies for PRO-CRIMPER Hand Tool 354940-1 or PRO-CRIMPER Adapter 679304-1	Part No.
179, 179A, 179B 187, 187A Belden 9221	Hex Crimp	Gold	Nickel	Polymethyl-pentene	Commercial	31.75 1.250	58425-2	413591-8
	O Crimp	Gold	Nickel	Polymethyl-pentene	Commercial	27.79 1.094	318451-2	221506-3
AT&T 735A	O Crimp	Gold	Nickel	Polymethyl-pentene	Commercial	29.46 1.160	58174-1	221506-5
210, 62, 62A, 62B, 59, 59A, 59B, Belden 9291, 9209 9269	Hex Crimp	Gold	Nickel	Polymethyl-pentene	Commercial	31.75 1.250	58425-1	413591-2
	O Crimp	Gold	Nickel	Polymethyl-pentene	Commercial	29.21 1.150	58536-1	221506-1
302 Belden 88241 89269 Hi-Temp 62A Times PL62, Berk-Tek BTDC-58, BTDC-62	Hex Crimp	Gold	Nickel	Polymethyl-pentene	Commercial	31.75 1.250	58425-1	413591-1
Double Shield RG-59	Hex Crimp	Gold	Nickel	Polymethyl-pentene	Commercial	31.75 1.250	58425-3	413591-6
Belden 9104, 9112 9240, 9167, 9259, 9266, Times FM-59	Hex Crimp	Gold	Nickel	Polymethyl-pentene	Commercial	31.75 1.250	58425-1	413591-9
Belden 9145 AT&T 734A	Hex Crimp	Gold	Nickel	Polymethyl-pentene	Commercial	31.75 1.250	58425-1	413591-7
	O Crimp	Gold	Nickel	Polymethyl-pentene	Commercial	29.21 1.150	58536-1	221506-4
Belden 8281 9141, 9231	Hex Crimp	Gold	Nickel	Polymethyl-pentene	Commercial	31.75 1.250	58425-3	413591-5
	O Crimp	Gold	Nickel	Polymethyl-pentene	Commercial	32.9 1.295	58538-1	221506-2

Bulkhead Jack, Crimp



Maximum Panel Thickness 6.35 [250]

Part No. 221509-1

Recommended Panel Cutout

RG/U Cable	Termination Type	Center Contact Plating	Body Plating	Dielectric	Style	Dim. H	Tooling	Part No.
210, 62, 62A, 62B, 59, 59A, 59B, Belden 9291, 9209, 9169, 89269	O Crimp	Gold	Nickel	Polymethyl-pentene	Commercial	11/16 across flats, 20.32 .800 max. across points	Use Hand Tool 354940-1 with Die Set 58536-1	221509-1