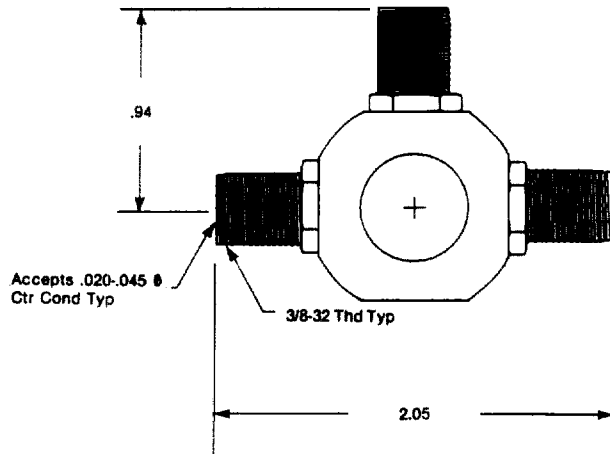


NETWORK ADAPTERS

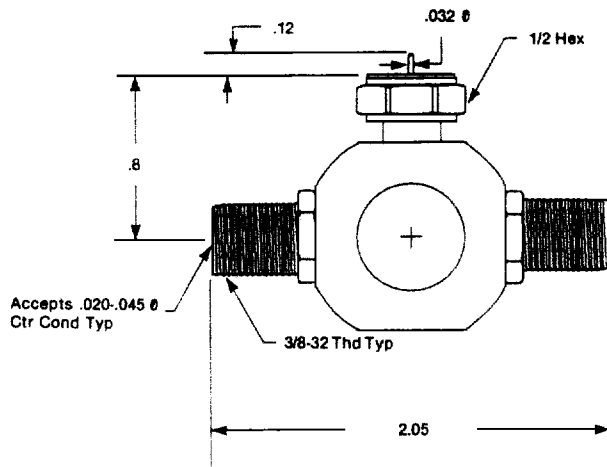
GF-TEE

- Low impedance tap
- Machined brass F ports
- Bright acid tin plating on F ports and contacts
- Chromate conversion coating on aluminum body



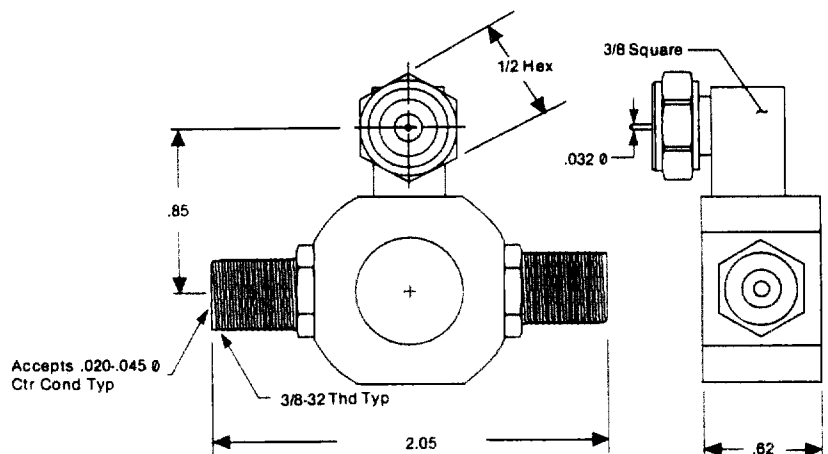
GF-TEE-M

- Low impedance tap
- F male on side port has .032 diameter pin for data applications
- Machined brass F ports
- Bright alloy plating on male port
- Bright acid tin plating on female ports
- Chromate conversion coating on aluminum body



GF-TEE-M/90

- Low impedance tap
- Side port is F male at 90° for compact space applications
- F male on side port has .032 diameter pin for data applications
- Machined brass F ports
- Bright alloy plating on male port
- Bright acid tin plating on female ports
- Chromate conversion coating on an aluminum body



GILBERT ENGINEERING CO., INC.

POST OFFICE BOX 23189
PHOENIX, AZ 85063-3189 USA

5310 W. CAMELBACK ROAD
GLENDALE, AZ 85301-7597 USA

TEL: 602-245-1050
TEL: 800-528-5567

FAX: 602-931-0684
FAX: 800-344-6358