

Safety position switch with separate actuator Molded-plastic enclosure lateral and face-end Slow-action contacts 1 NO+2 NC, 3 x (M20 x 1.5) Pull-out force 5 N Supplied without actuator



Product designation	safety position switch
Suitability for use safety switch	Yes
General technical data	
Surge voltage resistance rated value	6 kV
Protection class IP	IP67
Mechanical service life (switching cycles)	
• typical	1 000 000
Thermal current	10 A
Reference code acc. to DIN EN 81346-2	B
Reference code acc. to DIN EN 61346-2	B
Active principle	mechanical
Length of the sensor	90 mm
Width of the sensor	52 mm
Design of the switching contact	mechanical
Operating frequency rated value	60 ... 50 Hz
Number of NC contacts for auxiliary contacts	2
Number of NO contacts for auxiliary contacts	1
Operating current at AC-15	
• at 230 V rated value	4 A

Operating current at DC-13	
<ul style="list-style-type: none"> • at 24 V rated value 	4 A
Enclosure	
Design of the housing	wide
Material of the enclosure	glass fiber reinforced thermoplast
Coating of the enclosure	Other types
Design of the housing acc. to standard	No
Drive Head	
Design of the operating mechanism	without
Design of the switching function	positive opening
Circuit principle	slow-action contacts
Number of switching contacts safety-related	1
Connections/ Terminals	
Type of connectable conductor cross-sections	
<ul style="list-style-type: none"> • solid 	2x (0.75 ... 2.5 mm ²)
<ul style="list-style-type: none"> • finely stranded with core end processing 	2x (0.75 ... 2.5 mm ²)
Cable entry type	3 x (M20 x 1.5)
Communication/ Protocol	
Design of the interface	without
Ambient conditions	
Ambient temperature	
<ul style="list-style-type: none"> • during operation 	-30 ... +80 °C
<ul style="list-style-type: none"> • during storage 	-30 ... +80 °C
Explosion protection category for dust	none
Installation/ mounting/ dimensions	
Mounting position	any
Mounting type	screw fixing
Certificates/ approvals	

General Product Approval	Declaration of Conformity
---------------------------------	----------------------------------



CCC



CSA



UL



EG-Konf.

[Miscellaneous](#)

Test Certificates	Marine / Shipping	other
--------------------------	--------------------------	--------------

[Miscellaneous](#)



ABS



LRS



PRS



RINA

[Confirmation](#)

Further information

Information- and Downloadcenter (Catalogs, Brochures,...)

www.siemens.com/sirius/catalogs

Industry Mall (Online ordering system)

<https://mall.industry.siemens.com/mall/en/en/Catalog/product?mlfb=3SE2243-0XX40>

Cax online generator

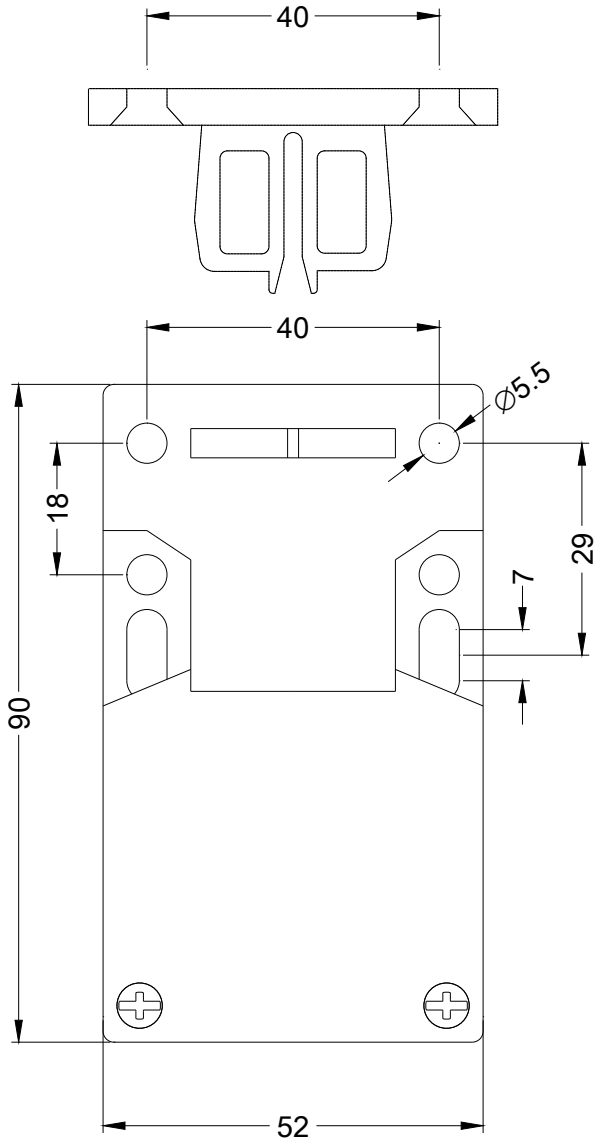
<http://support.automation.siemens.com/WW/CAXorder/default.aspx?lang=en&mlfb=3SE2243-0XX40>

Service&Support (Manuals, Certificates, Characteristics, FAQs,...)

<https://support.industry.siemens.com/cs/ww/en/ps/3SE2243-0XX40>

Image database (product images, 2D dimension drawings, 3D models, device circuit diagrams, EPLAN macros, ...)

http://www.automation.siemens.com/bilddb/cax_de.aspx?mlfb=3SE2243-0XX40&lang=en



last modified:

11/13/2019

