



LEOCO CORPORATION

ISSUE DATE

DESCRIPTION

2.54mm(.100") Dual In Line Ic Socket

PRODUCT NO.

8300-**ATDY

*** 8300 Series ***

Material :

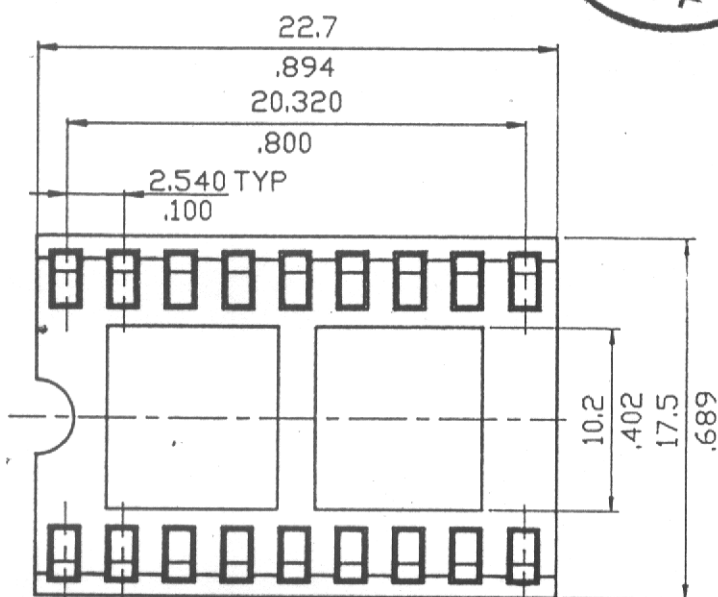
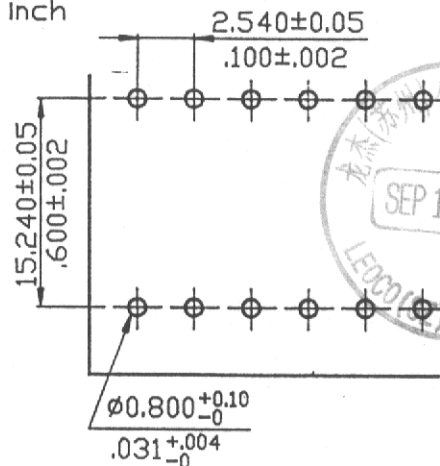
* Insulator : UL 94V-0 PBT

* Contact : Phosphor Bronze

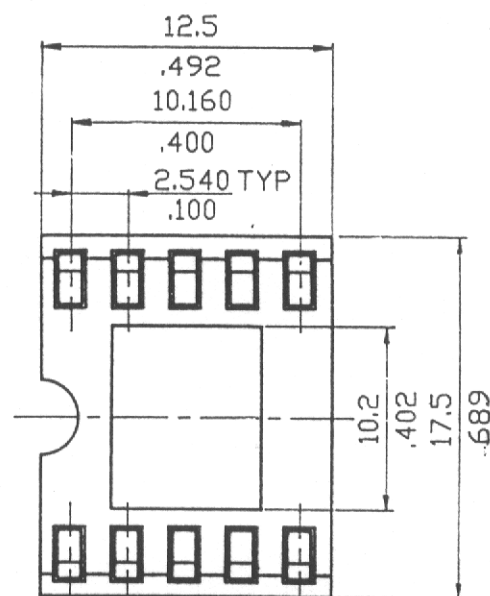
* Plating : Tin

Unless otherwise specified tolerance :

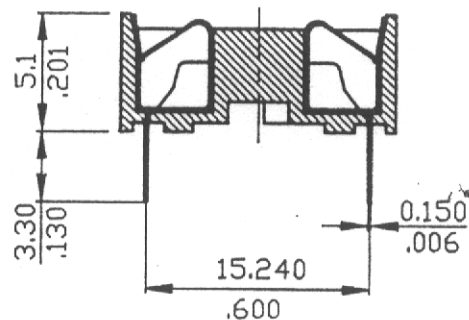
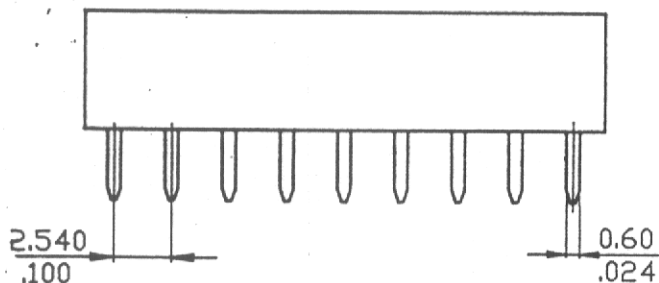
.000 : ±0.10 , .00 : ±0.20 , .0 : ±0.30

UNIT : $\frac{\text{mm}}{\text{Inch}}$ 

FOR 18P Circuits.



FOR 10P Circuits.



LTR	REVISIONS	SIGN	DATE	DRW'G	CHECK	APPR.
①				李松	張	王敏
②						
③						