

# High-Speed Switch SP4T Reflective



Specifications are subject to change without notice



The Mercury Systems PIN diode SP4T switch family spans the frequency range of 0.5 – 18 GHz. It offers high performance and an integrated high speed driver controlled by TTL or CMOS signals. This switch will maintain high performance as a drop in device for system or subsystem requirements. The Mercury Systems family of high performance switches is available in military or non military versions, hermetic and non-hermetic.

## Applications

- EW systems
- Communications systems
- Antenna/Filter Selectors

## Features

- Broadband units
- Environmentally sealed
- 55° C to +95° C operation
- Shock/vibration/acceleration capable

## SP4T Specifications

Band	Frequency GHz	Reflective			Absorptive			Switching Speed (nS MAX)
		Insertion Loss (dB MAX)	VSWR (MAX)	Isolation (dB MIN)	Insertion Loss (dB MAX)	VSWR (MAX)	Isolation (dB MIN)	
1	0.5 - 2	1.6	1.6	80	1.7	1.6	80	100
2	2 - 6	1.6	1.7	70	1.7	1.7	75	100
3	6 - 18	3.2	2.0	60	3.4	2.0	65	100
4	2 - 18	3.3	2.0	60	3.5	2.0	65	100
5	0.5 - 18	3.4	2.0	60	3.6	2.0	65	100

## Power Supply Option

Code ± 5%	A	B	C	Current (mA MAX)
+V	+5V	+5V	+12 to +15V	100
-V	-5V	-12 to -15V	-12 to -15V	50

## Control Logic Option

Control Logic	Switch State	
	Normal N	Inverting I
TTL 0	Ins. Loss	Isolation
TTL 1	Isolation	Ins. Loss

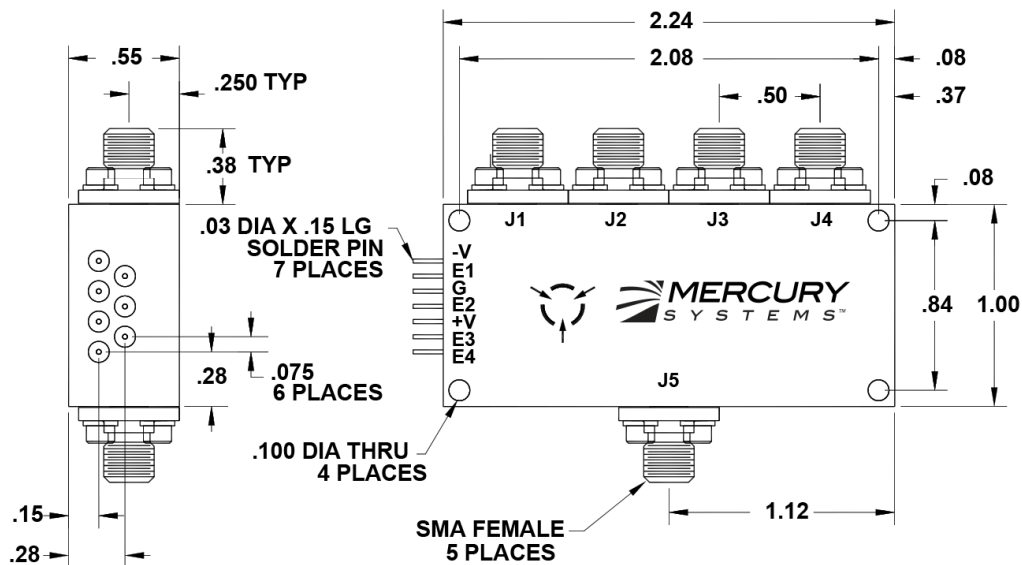
## Specifications

- Switching Speed measured from 50% control to 10/90% RF
- Max. RF Power (Operational/Survival) 0.5W / 1W
- Storage Temperature -65° to +150°C
- Finish Gray Epoxy Paint per MIL-C-22750
- Weight 2.5 oz. Max
- Control E1 Controls J1-J5  
E2 Controls J2-J5  
E3 Controls J3-J5  
E3 Controls J4-J5

## Ordering Information



Outline Drawing



All dimensions are in inches

Need More Help? Need a Variant of This Product?

Contact Mercury's RF & Microwave engineering team at [rf.microwave@rcy.com](mailto:rf.microwave@rcy.com) or visit [www.rcy.com/rf](http://www.rcy.com/rf) for a detailed listing of RF and Microwave products.



Corporate Headquarters

50 Minuteman Road • Andover, MA 01810 USA • (978) 967-1401 • (866) 627-6951 • Fax (978) 256-3599 • [www.rcy.com](http://www.rcy.com)