

NW25s

HIGH DENSITY AC TO DC CONVERTERS

Industrial & Military Grades

TEMPERATURE CHARACTERISTICS

	Min.	Typ.	Max.	Units
Operating	-40		+90	°C
Storage - Ambient	-55		+115	°C
Over Temperature Shutdown		+95		°C
Thermal Resistance Case- Ambient		5		°C/W

M- GRADE - ENVIRONMENTAL SCREENING

Stabilization Bake: +115°C for 24 hours similar to Mil-Std-883, M1108, Condition B

Temperature Cycling: 10 cycles at -55°C to +115°C (transition period 5°C/min) similar to Mil-Std-883, M1010, Condition B

Burn in: 160 hours @ 75°C minimum

Final Testing

I- GRADE - ENVIRONMENTAL SCREENING

Burn in: 16 hours @ 75°C minimum

Final Testing

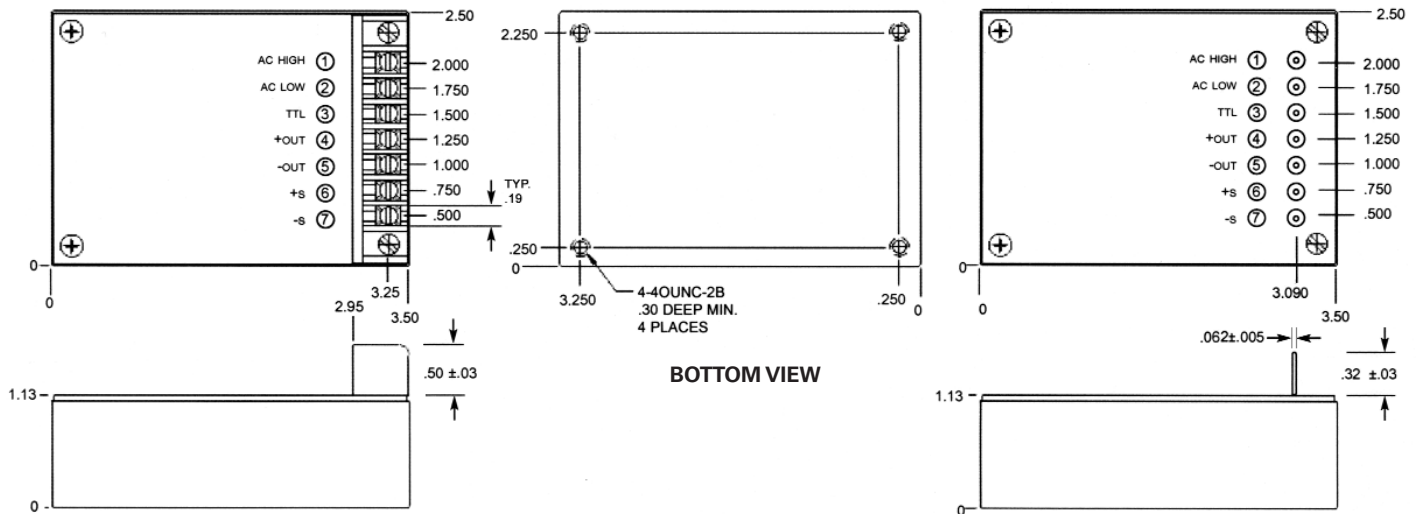
ISOLATION CHARACTERISTICS

	Min.	Units
Isolation:		
Input to Output	500	Vdc
Output to Base	500	Vdc
Input to Base	500	Vdc
Insulation Resistance (@50 Vdc)	50	MOhm

MECHANICAL CHARACTERISTICS

Weight	14.4	oz.
	408.2	grams
Size	3.5 x 2.5 x 1.13	inch
	88.9 x 63.5 x 28.7	mm
Volume	9.89	inch ³
	162	cm ³
Material	24GA CRS	
Finish	Nickel Plating	
Mounting	4-40 Inserts	

CASE DRAWINGS



(-A OPTIONAL TERMINAL BLOCK)

(STANDARD PINS)

1. Wire Clamping Screws Standard
2. Wire Range: 18 - 22 AWG
3. Screw No. 3 - 48 UNC

Tolerances: inches - x.xx = ±0.03
 x.xxx = ±0.015

All specifications are typical @+25°C with nominal input voltage under full output load conditions, unless otherwise noted. Specifications subject to change without notice.

Martek Power Abbott, Inc. 2727 S. La Cienega Blvd., Los Angeles, CA 90034 U.S.A. Tel: 310.202.8820 Fax: 310.836.4926
 www.martekpowerabbott.com E-mail: sales.mpa@martekpower.com