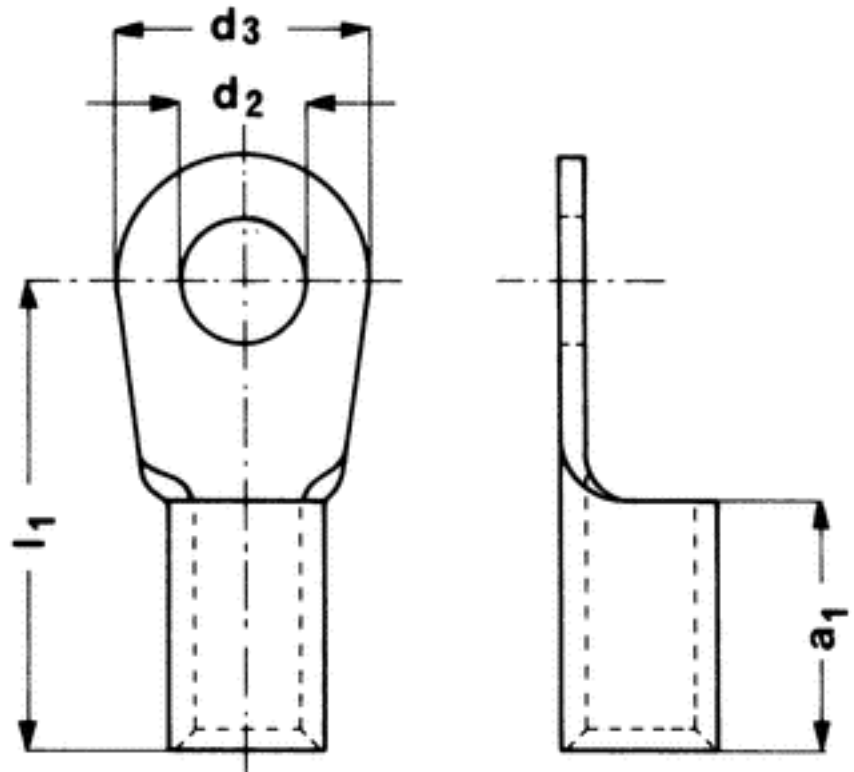




Characteristics and dimensions of terminals

| | |
|---------------------------------|----------------------|
| Part number | 03548.311.011 |
| Specification | Cable lug ring type |
| Material | SE-Cu |
| Surface / Colour | Sn 3 |
| Form | Single form |
| Single part | X |
| Packing unit / piece | 20 |
| Section area (mm ²) | 150.00 |
| DIN | ähnlich 46211 Form A |
| Nominal size | 16x16.5 |
| Material thickness (mm) | 3.50 |
| a ₁ | 29.00 |
| d ₂ | 17.00 |
| d ₃ | 28.00 |
| l ₁ | 55.00 |



Note: The drawing only gives an overview of the geometry of the part. The crimp area is shown as supplied in strip form. A technical drawing is available on request.

[Contents of your inquiry](#)

Packing Units (per 20 pieces)

CW