

ULTRA MICRO POWER SYSTEM

(2.00 mm) .0787" PITCH



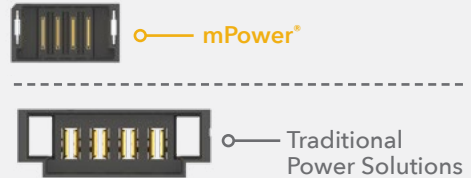
FEATURES & BENEFITS

- Up to 18 A per blade (1 blade powered)
- Design flexibility as a power-only system or a two-piece system for power/signal applications
- Use with Samtec's high-speed connector systems for a unique power/signal system
- Choice of 2 to 10 positions
- 5 mm to 20 mm stack heights available
- Tin or 10 μ" Gold plated power blades; 30 μ" Gold plating available to meet specific regulations
- Optional weld tabs
- Cable-to-board and cable-to-cable systems in development

KEY SPECIFICATIONS

| PITCH | STACK HEIGHTS | INSULATOR MATERIAL | CONTACT MATERIAL | PLATING | OPERATING TEMP RANGE | VOLTAGE RATING | LEAD-FREE SOLDERABLE |
|---------|--------------------|--------------------|------------------|----------------------------------|---|---------------------|----------------------|
| 2.00 mm | 5 to 16, 18, 20 mm | Black LCP | Copper Alloy | Sn or Au over 50 μ" (1.27 μm) Ni | -55 °C to +105 °C with Tin -55 °C to +125 °C with Gold | 460 VAC/ 650 VDC | Yes |

UMPT/UMPS compared to another small form factor power solution



CREEPAGE & CLEARANCE

| UMPT/UMPS | |
|-----------|---------|
| CREEPAGE | 2.20 mm |
| CLEARANCE | 1.65 mm |

Selectively loading contacts achieves customer specific creepage and clearance requirements.

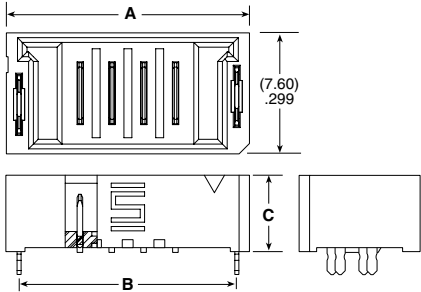
ULTRA MICRO POWER TERMINAL

| UMPT | NO. OF POSITIONS | LEAD STYLE | PLATING OPTION | V | S | WELD TAB | LATCH OPTION | "X"R |
|------|------------------|------------|----------------|---|---|----------|--------------|------|
|------|------------------|------------|----------------|---|---|----------|--------------|------|

UMPT
Board Mates:
UMPS
Cable Mates:
UMPC*
(*UMPT requires -P or -M option for mating)



- 02, -03, -04, -05, -06, -07, -08, -09, -10**
- 01.5** = (01.5 mm) .059"
- 02.5** = (02.5 mm) .098"
- 06.5** = (06.5 mm) .256"
- 07.5** = (07.5 mm) .295"
- 12.5** = (12.5 mm) .492"
- L** = 10 μ" (0.25 μm) Gold on contact, Matte Tin on tail
- S** = 30 μ" (0.76 μm) Gold on contact, Matte Tin on tail
- T** = Matte Tin



UMPT-04-01.5-X-V-S-W SHOWN

- (Leave blank for no weld tab)
- W** = Weld Tab Through-hole
- (Leave blank for no latch)
- (Only available on -02.5 lead style) (Weld tab required)
- P** = Plastic top latch
- M** = Metal side latches
- TR** = Tape & Reel
- FR** = Full Reel Tape & Reel (must order max. quantity per reel; contact Samtec for quantity breaks)

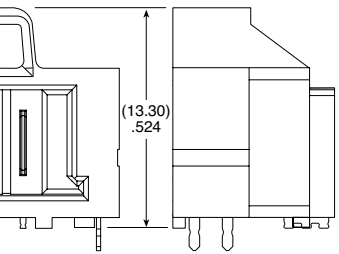
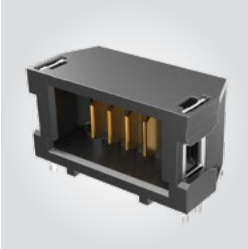
| LEAD STYLE | C | NO. OF POSITIONS | | A | | B | |
|------------|--------------|------------------|---------------|---------------|---------------|---|--|
| | | (-P & No latch) | B | (-M latch) | A | B | |
| -02 | (4.80) .189 | (11.30) .445 | (9.70) .382 | (13.30) .524 | (11.60) .457 | | |
| -03 | (5.80) .228 | (13.30) .524 | (11.70) .460 | (15.30) .602 | (13.60) .535 | | |
| -04 | (9.55) .376 | (15.30) .602 | (13.70) .539 | (17.30) .681 | (15.60) .614 | | |
| -05 | (10.80) .425 | (17.30) .681 | (15.70) .618 | (19.30) .760 | (17.60) .693 | | |
| -06 | (15.80) .622 | (19.30) .760 | (17.70) .697 | (21.30) .839 | (19.60) .772 | | |
| -07 | | (21.30) .839 | (19.70) .776 | (23.30) .917 | (21.60) .850 | | |
| -08 | | (23.30) .917 | (21.70) .854 | (25.30) .996 | (23.60) .929 | | |
| -09 | | (25.30) .996 | (23.70) .933 | (27.30) 1.075 | (25.60) 1.007 | | |
| -10 | | (27.30) 1.075 | (25.70) 1.012 | (29.30) 1.154 | (27.60) 1.087 | | |

Note: Some lengths, styles and options are non-standard, non-returnable.

View complete specifications at: samtec.com?UMPT

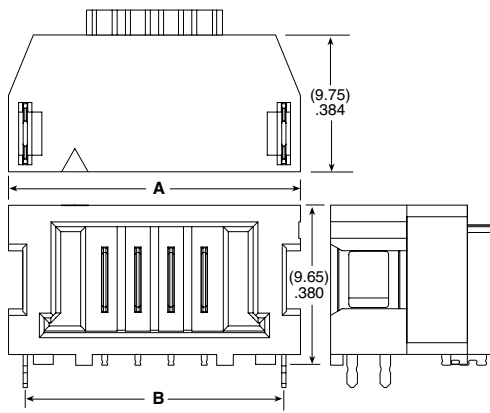
| UMPT | NO. OF POSITIONS | 01 | PLATING OPTION | RA | WELD TAB | LATCH OPTION | "X"R |
|------|------------------|----|----------------|----|----------|--------------|------|
|------|------------------|----|----------------|----|----------|--------------|------|

UMPT-RA
Board Mates:
UMPS
Cable Mates:
UMPC*
(*UMPT requires -P or -M option for mating)



UMPT-04-01-X-RA-WT-P SHOWN

- 02, -03, -04, -05, -06, -07, -08, -09, -10**
- L** = 10 μ" (0.25 μm) Gold on contact, Matte Tin on tail
- S** = 30 μ" (0.76 μm) Gold on contact, Matte Tin on tail
- T** = Matte Tin



UMPT-04-01-X-RA-WT-M SHOWN

- WT** = Weld Tab Through-hole
- (Leave blank for no latch)
- P** = Plastic top latch
- M** = Metal side latches
- TR** = Tape & Reel
- FR** = Full Reel Tape & Reel (must order max. quantity per reel; contact Samtec for quantity breaks)

| NO. OF POSITIONS | A | B | |
|------------------|---------------|-----------------|---------------|
| | | (-P & No latch) | (-M latch) |
| -02 | (13.60) .535 | (11.10) .437 | (11.55) .455 |
| -03 | (15.60) .614 | (13.10) .516 | (13.55) .533 |
| -04 | (17.60) .693 | (15.10) .594 | (15.55) .612 |
| -05 | (19.60) .772 | (17.10) .673 | (17.55) .691 |
| -06 | (21.60) .850 | (19.10) .752 | (19.55) .770 |
| -07 | (23.60) .929 | (21.10) .831 | (21.55) .848 |
| -08 | (25.60) 1.008 | (23.10) .909 | (23.55) .927 |
| -09 | (27.60) 1.087 | (25.10) .988 | (25.55) 1.006 |
| -10 | (29.60) 1.165 | (27.10) 1.067 | (27.55) 1.085 |

Note: Some lengths, styles and options are non-standard, non-returnable.

View complete specifications at: samtec.com?UMPT-RA

Mouser Electronics

Authorized Distributor

Click to View Pricing, Inventory, Delivery & Lifecycle Information:

Samtec:

[UMPT-02-01.5-G-VT-SM-WT-K](#) [UMPT-02-01-L-RA-WT-TR](#) [UMPT-02-01-S-RA-WT-TR](#) [UMPT-03-01-L-RA-WT-TR](#)
[UMPT-03-01-S-RA-WT-TR](#) [UMPT-03-01-T-RA-WT-TR](#) [UMPT-04-01-L-RA-WT-TR](#) [UMPT-10-01-S-RA-WT-TR](#) [UMPT-10-01-T-RA-WT-TR](#) [UMPT-02-01-T-RA-WT-TR](#) [UMPT-08-01-S-RA-WT-TR](#) [UMPT-08-01-T-RA-WT-TR](#) [UMPT-09-01-L-RA-WT-TR](#) [UMPT-09-01-S-RA-WT-TR](#) [UMPT-09-01-T-RA-WT-TR](#) [UMPT-10-01-L-RA-WT-TR](#) [UMPT-06-01-S-RA-WT-TR](#) [UMPT-06-01-T-RA-WT-TR](#) [UMPT-07-01-L-RA-WT-TR](#) [UMPT-07-01-S-RA-WT-TR](#) [UMPT-07-01-T-RA-WT-TR](#)
[UMPT-08-01-L-RA-WT-TR](#) [UMPT-04-01-S-RA-WT-TR](#) [UMPT-04-01-T-RA-WT-TR](#) [UMPT-05-01-L-RA-WT-TR](#)
[UMPT-05-01-S-RA-WT-TR](#) [UMPT-05-01-T-RA-WT-TR](#) [UMPT-06-01-L-RA-WT-TR](#) [UMPT-02-01-L-RA-WT-FR](#) [UMPT-06-01-L-RA-WT-FR](#) [UMPT-04-01-S-RA-WT-FR](#) [UMPT-05-01-S-RA-WT-FR](#) [UMPT04015GVSWTR](#) [UMPT-04-01.5-G-V-S-W-TR](#) [UMPT-02-01.5-L-V-S-TR](#) [UMPT-02-01.5-L-V-S-W-TR](#) [UMPT-02-01-L-RA-WT-M-TR](#) [UMPT-02-01-L-RA-WT-P-TR](#) [UMPT-02-02.5-L-V-S-TR](#) [UMPT-02-02.5-L-V-S-W-M-TR](#) [UMPT-10-07.5-L-V-S-TR](#) [UMPT-10-07.5-L-V-S-W-TR](#) [UMPT-10-12.5-L-V-S-TR](#) [UMPT-10-12.5-L-V-S-W-TR](#) [UMPT-10-02.5-L-V-S-TR](#) [UMPT-10-02.5-L-V-S-W-M-TR](#) [UMPT-10-02.5-L-V-S-W-P-TR](#) [UMPT-10-02.5-L-V-S-W-TR](#) [UMPT-10-06.5-L-V-S-TR](#) [UMPT-10-06.5-L-V-S-W-TR](#) [UMPT-06-12.5-L-V-S-TR](#) [UMPT-06-12.5-L-V-S-W-TR](#) [UMPT-10-01.5-L-V-S-TR](#) [UMPT-10-01.5-L-V-S-W-TR](#) [UMPT-10-01-L-RA-WT-M-TR](#) [UMPT-10-01-L-RA-WT-P-TR](#) [UMPT-06-02.5-L-V-S-W-P-TR](#) [UMPT-06-02.5-L-V-S-W-TR](#) [UMPT-06-06.5-L-V-S-TR](#) [UMPT-06-06.5-L-V-S-W-TR](#) [UMPT-06-07.5-L-V-S-TR](#) [UMPT-06-07.5-L-V-S-W-TR](#) [UMPT-06-01.5-L-V-S-TR](#) [UMPT-06-01.5-L-V-S-W-TR](#) [UMPT-06-01-L-RA-WT-M-TR](#) [UMPT-06-01-L-RA-WT-P-TR](#) [UMPT-06-02.5-L-V-S-TR](#) [UMPT-06-02.5-L-V-S-W-M-TR](#) [UMPT-04-06.5-L-V-S-TR](#) [UMPT-04-06.5-L-V-S-W-TR](#) [UMPT-04-07.5-L-V-S-TR](#) [UMPT-04-07.5-L-V-S-W-TR](#) [UMPT-04-12.5-L-V-S-TR](#) [UMPT-04-12.5-L-V-S-W-TR](#) [UMPT-04-01-L-RA-WT-M-TR](#) [UMPT-04-01-L-RA-WT-P-TR](#) [UMPT-04-02.5-L-V-S-TR](#) [UMPT-04-02.5-L-V-S-W-M-TR](#) [UMPT-04-02.5-L-V-S-W-P-TR](#) [UMPT-04-02.5-L-V-S-W-TR](#) [UMPT-03-07.5-L-V-S-TR](#) [UMPT-03-07.5-L-V-S-W-TR](#) [UMPT-03-12.5-L-V-S-TR](#) [UMPT-03-12.5-L-V-S-W-TR](#) [UMPT-04-01.5-L-V-S-TR](#) [UMPT-04-01.5-L-V-S-W-TR](#) [UMPT-03-02.5-L-V-S-TR](#) [UMPT-03-02.5-L-V-S-W-M-TR](#) [UMPT-03-02.5-L-V-S-W-P-TR](#) [UMPT-03-02.5-L-V-S-W-TR](#) [UMPT-03-06.5-L-V-S-TR](#) [UMPT-03-06.5-L-V-S-W-TR](#) [UMPT-02-12.5-L-V-S-TR](#) [UMPT-02-12.5-L-V-S-W-TR](#) [UMPT-03-01.5-L-V-S-TR](#) [UMPT-03-01.5-L-V-S-W-TR](#) [UMPT-03-01-L-RA-WT-M-TR](#) [UMPT-03-01-L-RA-WT-P-TR](#) [UMPT-02-02.5-L-V-S-W-P-TR](#) [UMPT-02-02.5-L-V-S-W-TR](#)