

## Technical Specification

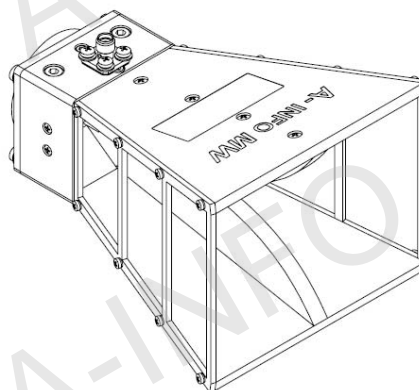
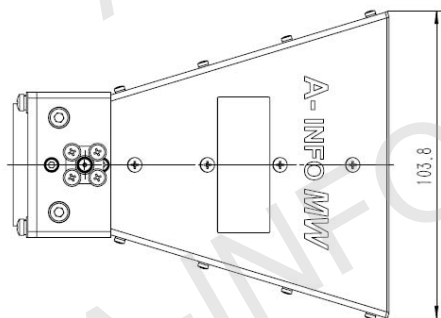
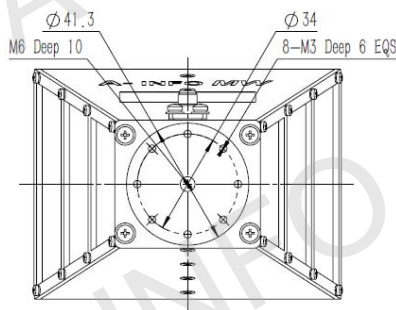
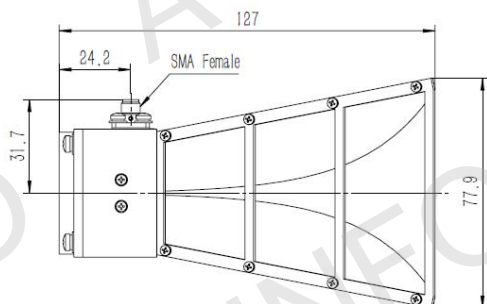


Frequency Range(GHz)	2.0 – 8.0
Gain(dBi)	12 Typ.
Polarization	Linear
3dB Beamwidth(deg)	E Plane: 85 - 31
	H Plane: 77 - 31
Cross Pol. Isolation(dB)	25 Typ.
VSWR	1.5:1 Typ.
	2.5:1 Max.
Connector	SMA-Female
	or N-Female
Power Handling(W)	SMA-Female: 50 Max. CW
	N-Female: 150 Max. CW
Material	Al
Size(mm)	103.8 x 77.9 x 127
Net Weight(Kg)	0.4 Around

## Outline Drawing (Size: mm)

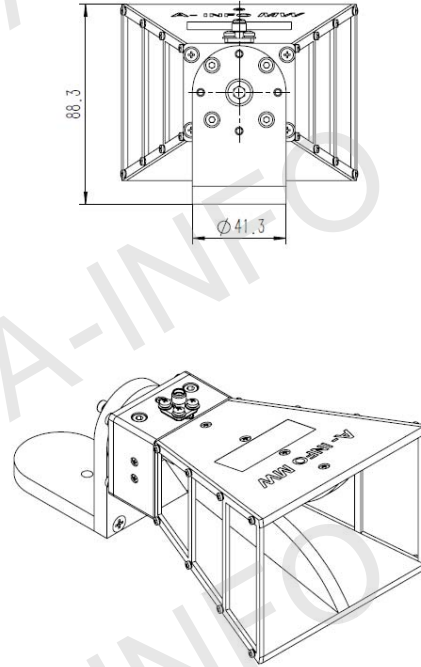
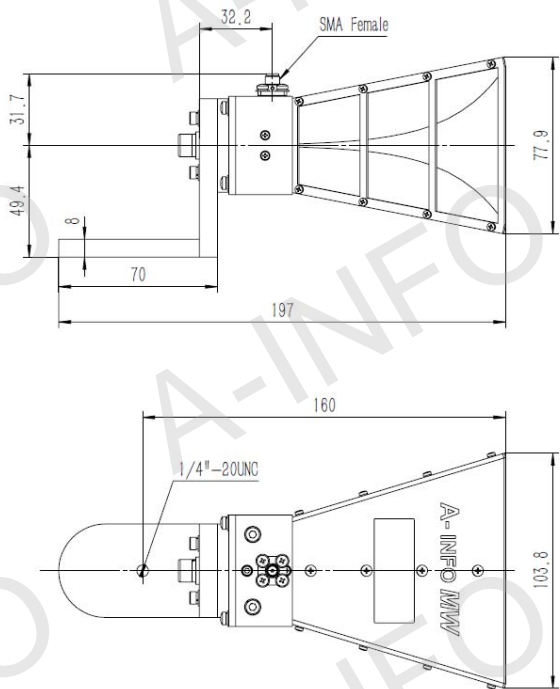
### SMA-Female Output

For N-Female output outline drawing, please contact A-INFO.



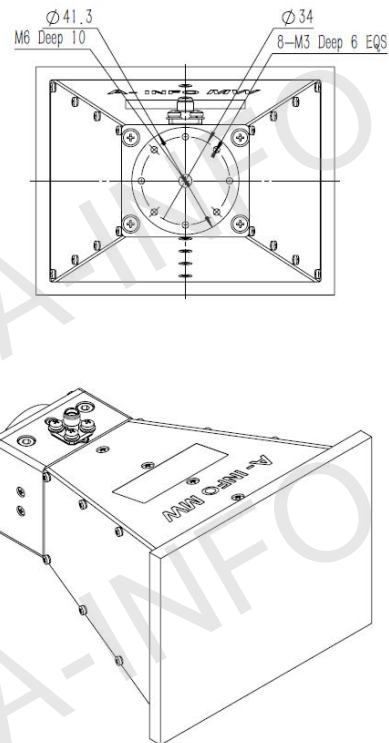
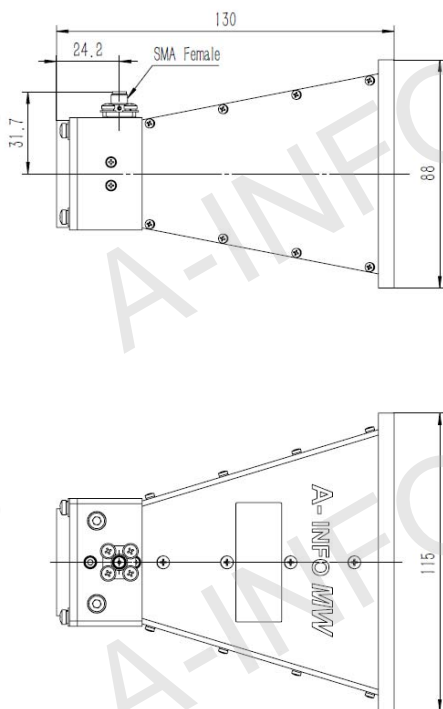
## SMA-Female Output with L type Mounting Bracket

For N-Female output outline drawing, please contact A-INFO.



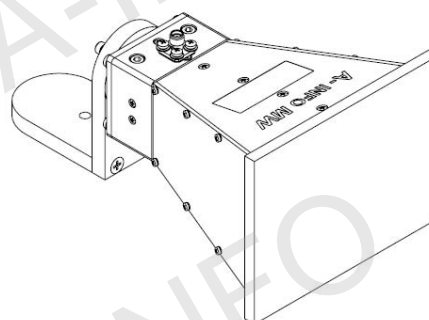
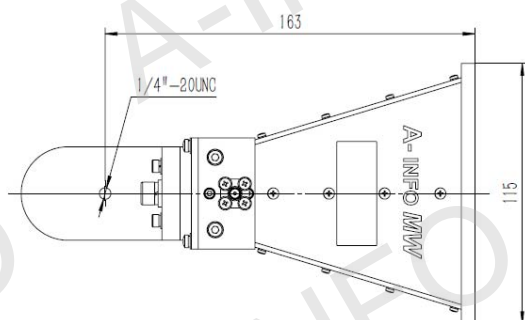
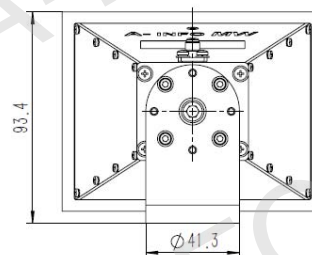
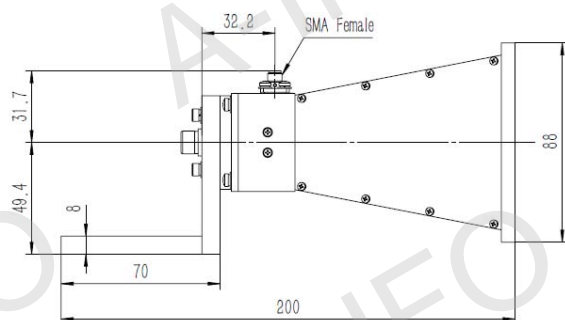
## SMA-Female Output with Radome

For N-Female output outline drawing, please contact A-INFO.



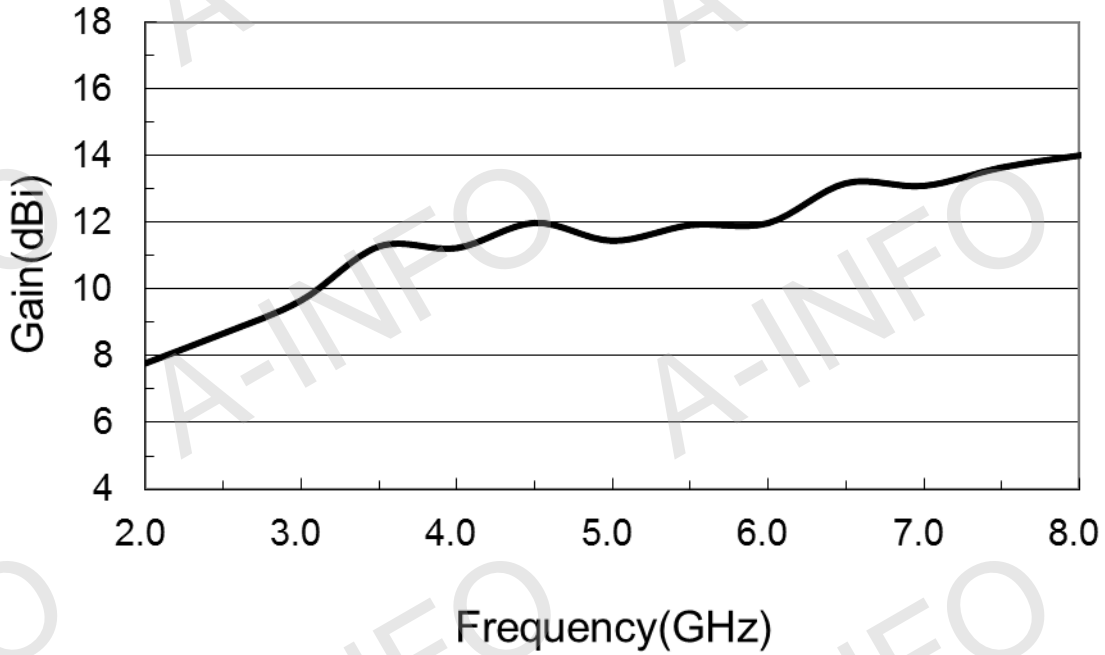
## SMA-Female Output with L type Mounting Bracket and Radome

For N-Female output outline drawing, please contact A-INFO.

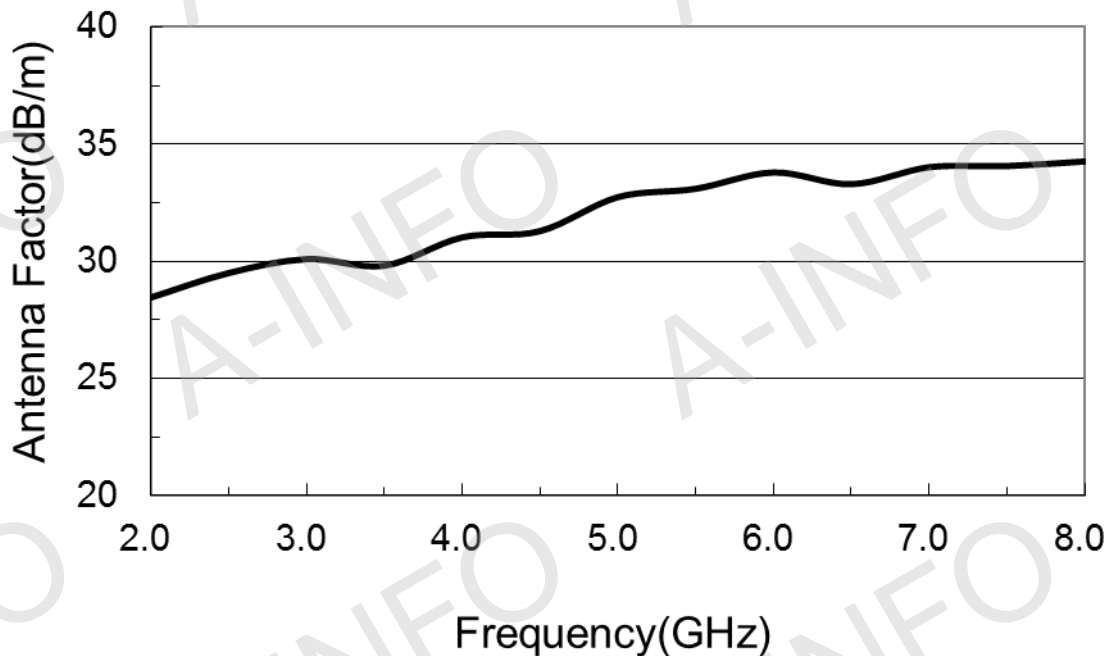


## Test Results

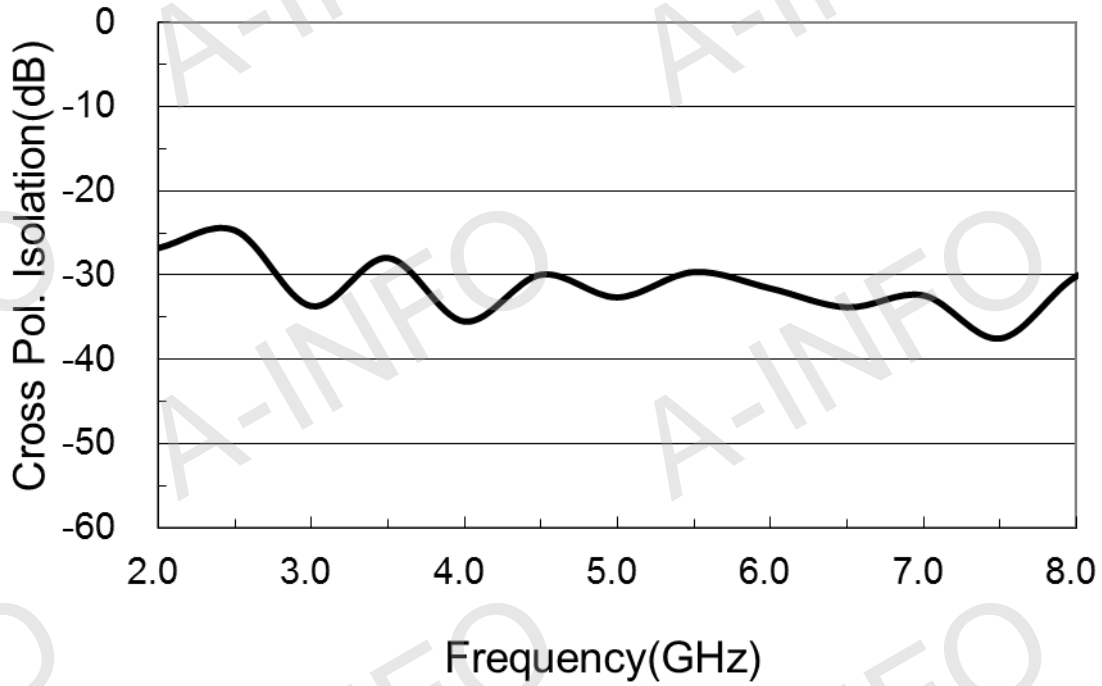
### 1. Gain



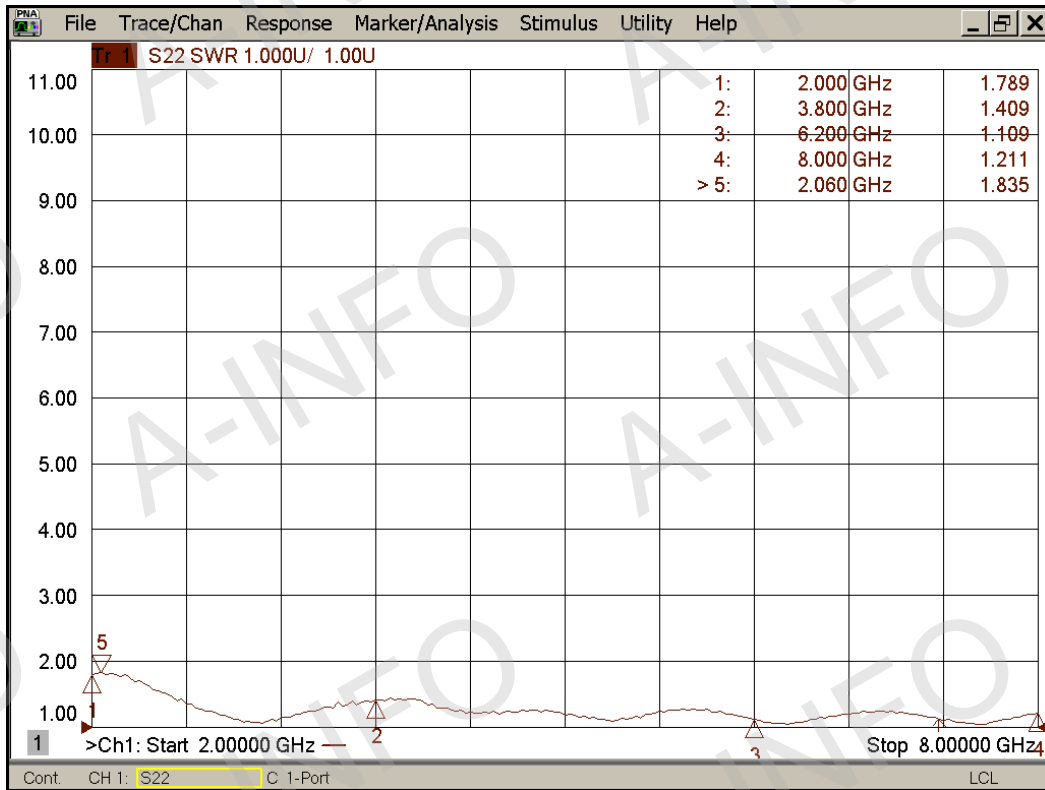
### 2. Antenna Factor



### 3. Cross Pol. Isolation



### 4. VSWR



## 5. Pattern

