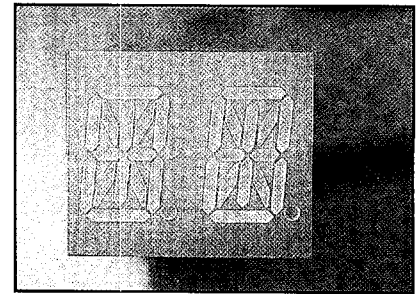
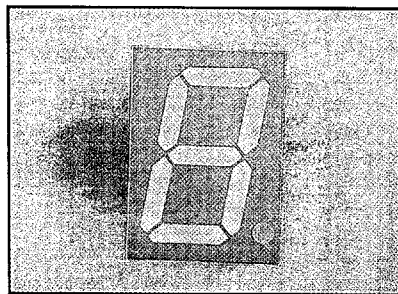


**APPLICATIONS**

- Instrument Panels
- Test Equipment
- Meter Displays

**OPTIONS AVAILABLE**

- Right Angle Pins (Tooling Applied)
- Bicolor Red/Green
- Face & Segment Colors
- Graded Groups for Color/Intensity (See Page 5)



**PRODUCT SELECTION**

**.52" Numeric Display, RHD**

Lumex Part Nbr	$\lambda_p$ (nm)	$I_v \mu\text{Cd}$ @10mA(TYP)	Color	Comm Pin	Face Seg	Fig Nbr
LDS-A534RI	625	4000	RED	(+)	Grey White	15
LDS-C534RI	625	4000	RED	(-)	Grey White	15
LDS-A536RI	660	12000	SUP-RED	(+)	Grey White	15
LDS-C536RI	660	12000	SUP-RED	(-)	Grey White	15
LDS-A532RI	565	3500	GREEN	(+)	Grey White	15
LDS-C532RI	565	3500	GREEN	(-)	Grey White	15
LDS-A533RI	585	3500	YELLOW	(+)	Grey White	15
LDS-O533RI	585	3500	YELLOW	(-)	Grey White	15

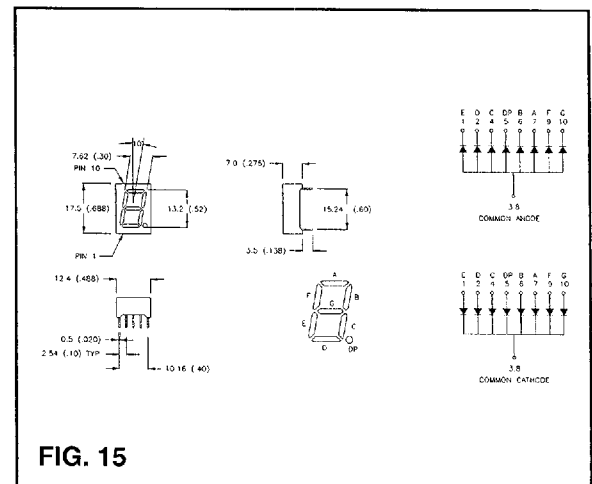


FIG. 15

**PRODUCT SELECTION**

**.54" Dual Alpha Numeric Display, RHD Duplex Drive**

Lumex Part Nbr	$\lambda_p$ (nm)	$I_v \mu\text{Cd}$ @10mA(TYP)	Color	Comm Pin	Face Seg	Fig Nbr
LDD-E524RI	625	3500	RED	(+)	Grey White	16
LDD-F524RI	625	3500	RED	(-)	Grey White	16
LDD-E526RI	660	11000	SUP-RED	(+)	Grey White	16
LDD-F526RI	660	11000	SUP-RED	(-)	Grey White	16
LDD-E522RI	565	3000	GREEN	(+)	Grey White	16
LDD-F522RI	565	3000	GREEN	(-)	Grey White	16
LDD-E523RI	585	3000	YELLOW	(+)	Grey White	16
LDD-F523RI	585	3000	YELLOW	(-)	Grey White </tr	

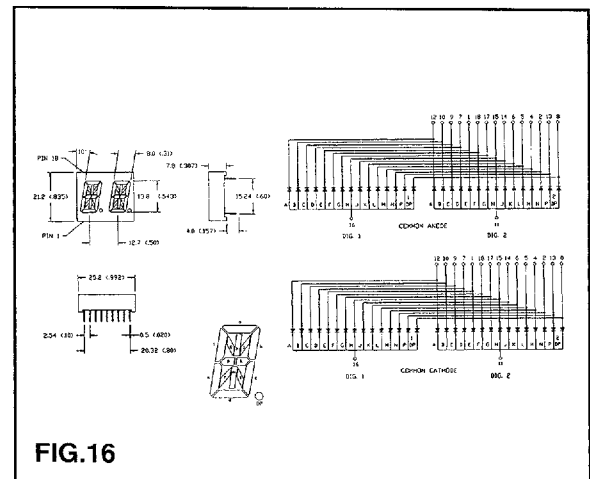


FIG. 16