

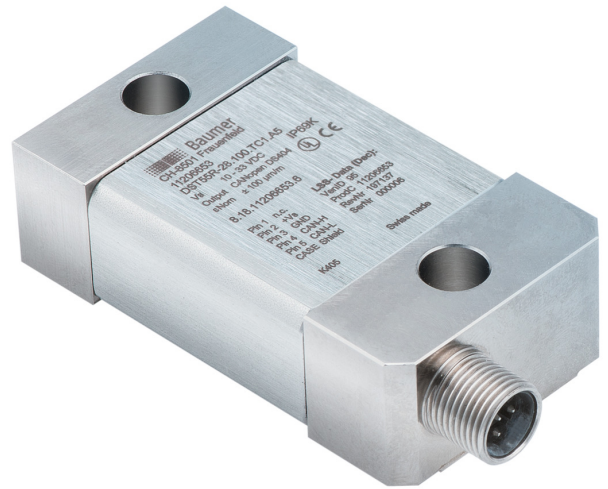
DST55R-28.102.TC1.A5

Strain sensor for harsh outdoor environment with CANopen output

Article number: 11206662

Overview

- Measuring range $\pm 1000 \mu\text{m/m}$
- Highest protection class IP 68/69K
- Tested long term seal according to proTect+
- Corrosion protection C5-M
- Output signal CANopen
- Integrated amplifier electronics



Technical data

General data

Nominal strain	0 ... 1000 $\mu\text{m/m}$
Non-linearity	< 0.5 %
Repeatability	< 0.1 %
Mechanical mounting	2 x M8 screws

Mechanical data

Overload	150 %
Sensor stiffness	200 N @ 1000 $\mu\text{m/m}$
Weight	330 g
Material sensor body	1.7225, chemically nickel plated
Material housing	Stainless steel, 1.4301
Material sealing	NBR
Compensated for thermal expansion coefficient	$11.1 \cdot 10^{-6} 1/\text{K}$
Electrical connection	M12, 5 pin, male

Environmental conditions

Operating temperature range	-40 ... 85 °C
Storage temperature range	-40 ... 85 °C
Protection class EN 60529, ISO20653	IP 68, 168h @ 1m H ₂ O IP 69K ProTect+

Environmental conditions

Corrosion protection IEC 60068-2-52 salt spray test	C5-M (ISO 12944-5: protective paint systems)
Vibration IEC 60068-2-6	10 ... 57 Hz: 1.5 mm p-p, 58 ... 2000 Hz: 10 g
Random IEC 60068-2-64	20 ... 1000 Hz: 0.1 g ² /Hz
Shock IEC 60068-2-27	50 g / 11 ms, 100 g / 6 ms

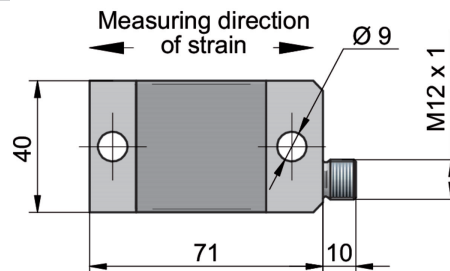
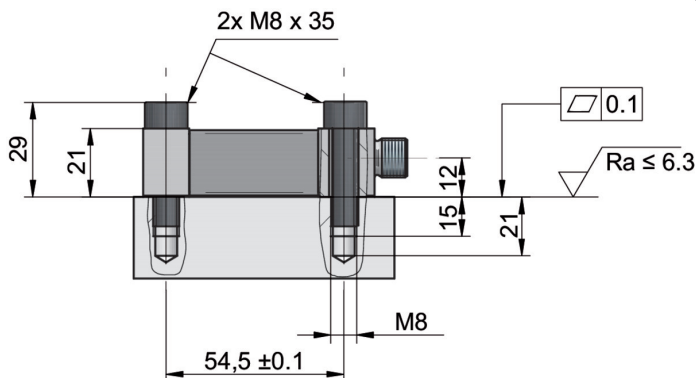
Electrical data

Output signal	CANopen DS404
Signal polarity positive	Tension
Bridge resistance	350 Ω
Supply voltage	10 ... 33 VDC
Current consumption	< 60 mA
Measuring resolution	0.1 $\mu\text{m/m}$
Cut-off frequency (3 db)	1000 Hz

Compliance and approvals

EMC	EN 61000-6-2
	EN 61000-6-3
	EN 61326-2-3
UL listed	E217824

Dimensional drawings (mm)



DST55R-28.102.TC1.A5

Strain sensor for harsh outdoor environment with CANopen output

Article number: 11206662

Electrical connection

Pin-number	Signals
1	n.c.
2	+V _s
3	GND
4	CAN-H
5	CAN-L
CASE	shield

