

# 11mm MCC Squib Connectors

## Features

- Scoop-proof AK-2 interface as well as AK-1 and FCI interface available
- Excellent mating behavior, even under difficult mating conditions (blind mating)
- Robust and ergonomic design
- Full compatibility with existing initiator specifications
- Delivered in different wire lengths, wire gauges and types; please consult us for customization



## Technical Characteristics

Serviceability	Serviceable
EMI filtering device	Ferrite
Locking type	Active CES* - CPA**
Termination technology	Welding
Contact resistance	< 10 mΩ
Dielectric test	750V / DC
Temperature range	-40°C to +85°C
Pull-out force	> 150 N

## Main Part Numbers

Right angle version											
Product code	Interface	Coding	Part number	Product code	Interface	Coding	Part number	Product code	Interface	Coding	Part number
FPB90-5	AK-2	I	PPI0001876	FAB90-2	AK-1	A	PPI0001660	FIB90-2	FCI	A	PPI0001633
		II	PPI0001877			B	PPI0001626			B	PPI0001634
		III	PPI0001878			C	PPI0001627			C	PPI0001635
		IV	PPI0001662								

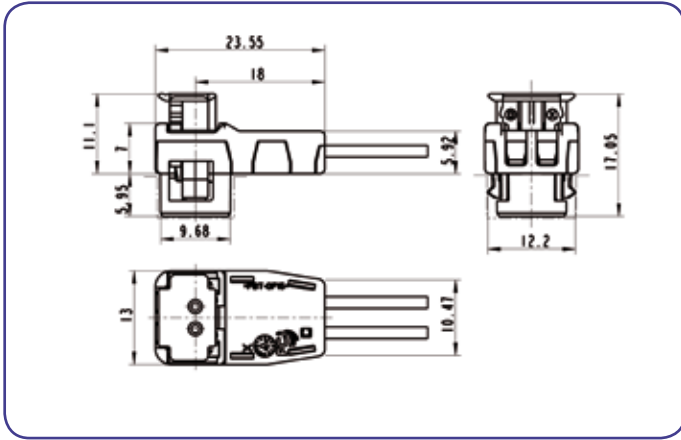
Straight version							
Product code	Interface	Coding	Part number	Product code	Interface	Coding	Part number
FBP180-2	AK-2	I	PPI0001142	FAB180-1	AK-1	A	PPI0001840
		II	PPI0001143			B	PPI0001841
		III	PPI0001144			C	PPI0001842

Note: user specifies pigtail wire length, wire gauge and wire type. Contact us for specification assistance.

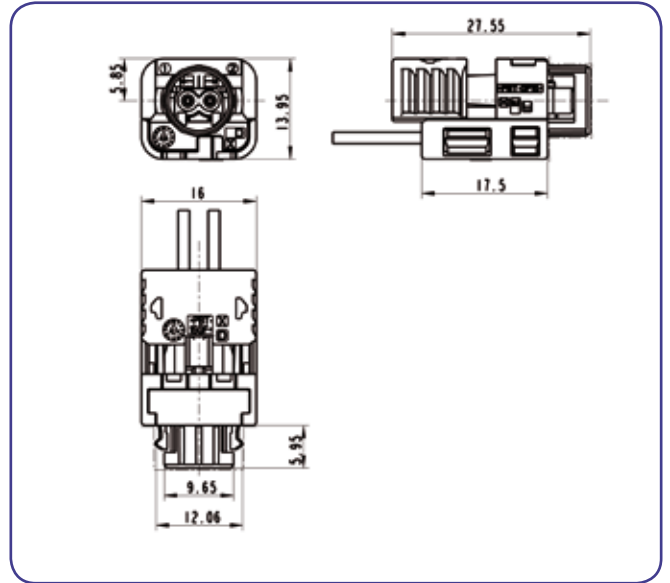
\* CES : Connector Engaged Safety

\*\* CPA : Connector Position Assurance

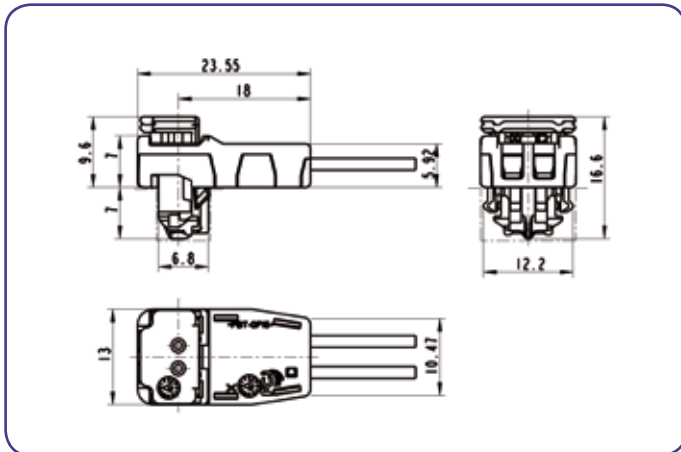
# 11mm MCC Squib Connectors



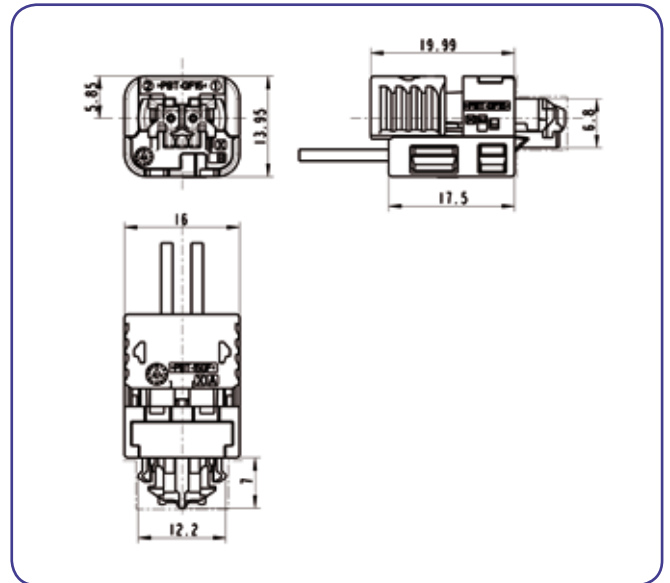
MCC AK-2 FPB90-5



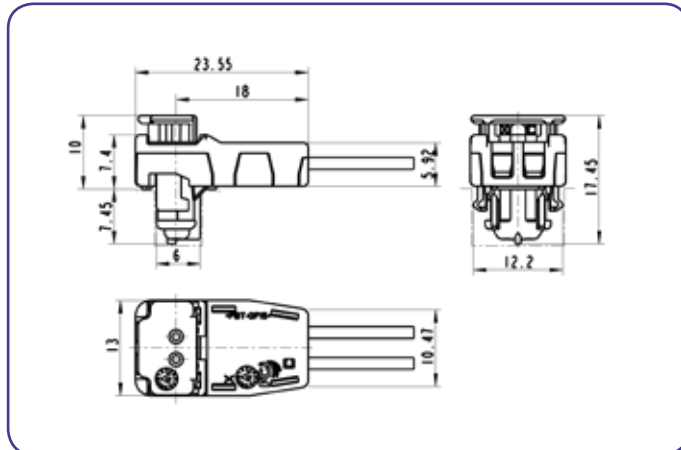
MCC AK-2 FPB180-2



MCC AK-1 FAB90-2



MCC AK-1 FAB180-1



MCC FCI FIB90-2

Dimensions in mm