

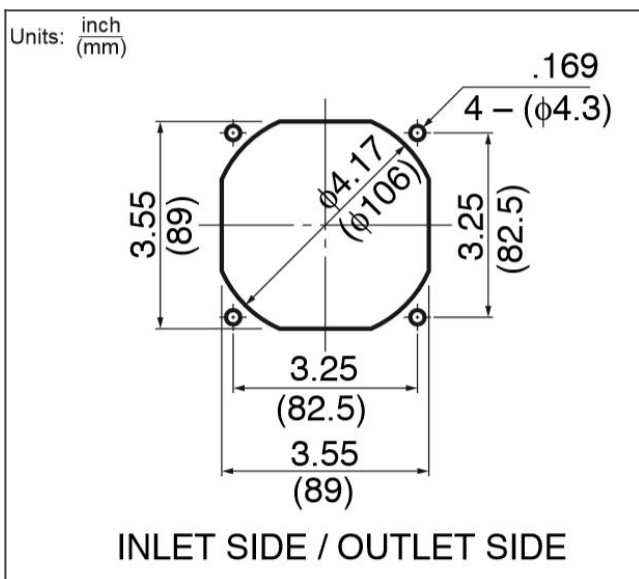
General Specifications

Motor Structure: Shaded Pole Induction Motor
 Motor Protection: Impedance Protection
 Insulation Resistance: 10M Ohm or over with DC500V Megger
 Dielectric Withstand Voltage: AC 700V 1s
 Allowable Ambient Temperature Range:
 -10 degree C ~ +70 degree C (Operating)
 -40 degree C ~ +70degree C (Storage)
 (non-condensing environment)

order part 3610PS-22T-B30-B00_60Hz Ball Bearing Fan AC Axial Fans



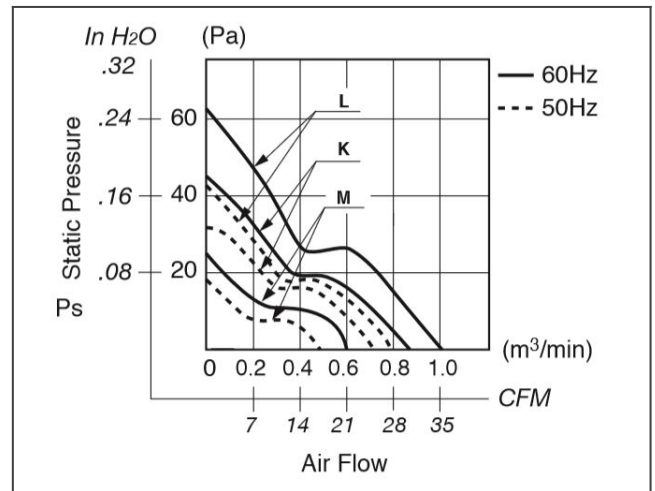
3610PS panel cut out



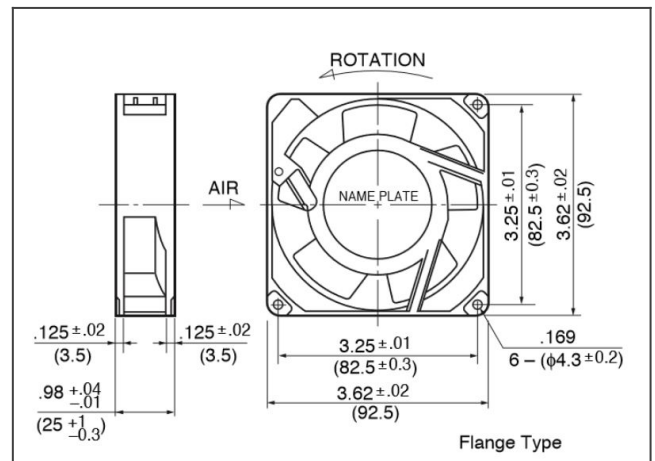
Material

Casing: Aluminum Black Painting
 Impeller: Plastic (Black) UL94V-0
 Lead Wire or Terminal: UL3266, AWG22 / Faston #110 or equivalent

3610PS characteristics curve



3610PS product drawing



Detailed Specifications

Expected Life:	*Failure rate 10% 25deg.C 100,000 hours
Nominal Voltage:	220[V]
Frequency:	60[Hz]
Starting Voltage:	165[V]
Industry:	Food Processing
AC Fans:	Ball Bearing Fan
Current:	0.08[A]
Input Power (+10% - 20%):	10[V]
Speed:	3100[min^{-1}]
Max. Air Flow:	0.98[m ³ /min]
Max. Air Flow:	35[CFM]
Max. Static Pressure:	60.9[Pa]
Max. Static Pressure:	0.24[In H ₂ O]
Noise:	39[dB]
Fan Size:	92[mm]
Fan Width:	25[mm]
Mass:	300[g]