

DS8881 Vacuum Fluorescent Display Driver

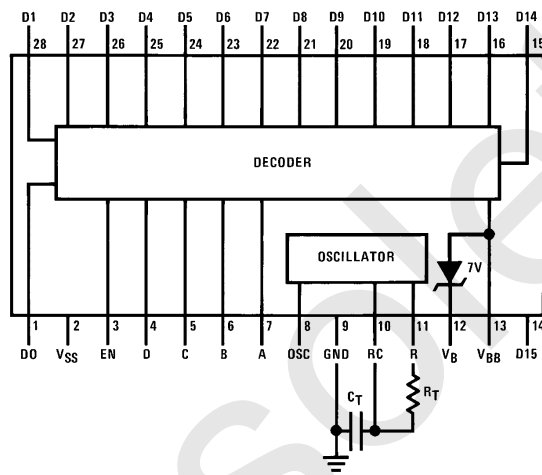
General Description

The DS8881 vacuum fluorescent display driver will drive 16-digit grids of a vacuum fluorescent display. The decode inputs select one of the sixteen outputs to be pulled high. The device contains an oscillator for supplying clock signals to the MOS circuit, the filament bias zener and 50 kΩ pull-down resistors for each grid. Outputs will source up to 7 mA. The DS8881 is designed for 9V operation. If the enable input is pulled low, all outputs are disabled.

Features

- Oscillator frequency accuracy and stability allows maximum system speed
- Interdigit blanking with the enable input provides ghost-free display operation
- 50 kΩ pull-down resistors for each grid
- 7V filament bias zener

Connection Diagram



Top View

Order Number DS8881N
See NS Package Number N28B

TL/F/5846-1

Truth Table

All outputs now shown high are off (low)

| Inputs | | | | | Digit Outputs | | | | | | | | | | | | | | | |
|--------|---|---|---|---|---------------|---|---|---|---|---|---|---|---|---|----|----|----|----|----|----|
| EN | D | C | B | A | 0 | 1 | 2 | 3 | 4 | 5 | 6 | 7 | 8 | 9 | 10 | 11 | 12 | 13 | 14 | 15 |
| H | L | L | L | L | H | | | | | | | | | | | | | | | |
| H | L | L | L | H | | H | | | | | | | | | | | | | | |
| H | L | L | H | L | | | H | | | | | | | | | | | | | |
| H | L | L | H | H | | | | H | | | | | | | | | | | | |
| H | L | H | L | L | | | | | H | | | | | | | | | | | |
| H | L | H | L | H | | | | | | H | | | | | | | | | | |
| H | L | H | H | L | | | | | | | H | | | | | | | | | |
| H | L | H | H | H | | | | | | | | H | | | | | | | | |
| H | H | L | L | L | | | | | | | | | H | | | | | | | |
| H | H | L | L | H | | | | | | | | | | H | | | | | | |
| H | H | L | H | H | | | | | | | | | | | H | | | | | |
| H | H | H | L | L | | | | | | | | | | | | H | | | | |
| H | H | H | L | H | | | | | | | | | | | | | H | | | |
| H | H | H | H | L | | | | | | | | | | | | | | H | | |
| H | H | H | H | H | | | | | | | | | | | | | | | H | |
| H | H | H | H | H | | | | | | | | | | | | | | | | H |
| L | X | X | X | X | | L | L | L | L | L | L | L | L | L | L | L | L | L | L | L |

Absolute Maximum Ratings (Note 1)

If Military/Aerospace specified devices are required, please contact the National Semiconductor Sales Office/Distributors for availability and specifications.

| | |
|--------------------------------------|-----------------|
| Supply Voltage ($V_{SS}-V_{BB}$) | 38V |
| Input Current | 10 mA |
| Output Current | -20 mA |
| Storage Temperature | -65°C to +150°C |
| Maximum Power Dissipation* at 25°C | |
| Molded Package | 2168 mW |
| Lead Temperature (Soldering, 4 sec.) | 260°C |

*Derate molded package 17.35 mW/°C above 25°C.

Operating Conditions

| | Min | Max | Units |
|-----------------------|-----|-----|-------|
| Supply Voltage | | | |
| V_{SS} | 5.0 | 9.5 | V |
| V_{BB} | Gnd | -26 | V |
| Temperature (T_A) | 0 | +70 | °C |

Electrical Characteristics (Notes 2 and 3)

| Symbol | Parameter | Conditions | | Min | Typ | Max | Units | |
|-----------|------------------------------|---|----------------------------|-------------------------------|---------------------------|----------------|------------------|------------------------|
| V_{IH} | Logical "1" Input Voltage | $V_{SS} = \text{Max}$ | Enable | $I_{IN} = 260 \mu\text{A}$ | | 5.1 | V | |
| | | | A, B, C, D | $I_{IN} = 1400 \mu\text{A}$ | | 1.5 | V | |
| I_{IH} | Logical "1" Input Current | $V_{SS} = \text{Max}$ | Enable A, B, C, D | | | 260 | μA | |
| V_{IL} | Logical "0" Input Voltage | $V_{SS} = \text{Max}$ | Enable | | | 1.0 | V | |
| | | | A, B, C, D | | | 0.3 | V | |
| I_{IL} | Logical "0" Input Current | $V_{SS} = \text{Max}$ | Enable | $V_{IN} = 0\text{V}$ | | -1.0 | μA | |
| | | | A, B, C, D | $V_{IN} = V_{IL(\text{MAX})}$ | 25 | | μA | |
| V_{OH} | Logical "1" Output Voltage | Digit Output, $I_{OH} = -7 \text{mA}$ | | $V_{SS} - 2.5$ | | | V | |
| I_{OH} | Logical "1" Output Current | $V_{SS} = \text{Max}$, Osc. Output, $V_{RC} = 0.6\text{V}$, $V_{OH} = 10\text{V}$ | | | | 50 | μA | |
| I_{OS} | Output Short-Circuit Current | $V_{SS} = \text{Min}$, Pin R, $V_{RC} = 0.6\text{V}$, $V_R = 0\text{V}$ | | -150 | | -450 | μA | |
| R_{OUT} | Output Pull-Down Resistor | $V_{SS} = \text{Min}$, Digit Output | | 30 | 50 | 85 | $\text{k}\Omega$ | |
| V_{OL} | Logical "0" Output Voltage | $V_{SS} = \text{Min}$ | Osc | $V_{RC} = 1.6\text{V}$ | | | 0.5 | V |
| | | | Pin R | | | | | $I_{OL} = 6 \text{mA}$ |
| | | $V_{SS} = \text{Max}$ | Digit Output | $V_{ENABLE} = 1\text{V}$ | $I_{OL} = 10 \mu\text{A}$ | | $V_{BB} + 1.4$ | V |
| I_{SS} | Supply Current | $V_{SS} = 9.5\text{V}$, $I_{OH} = 0$ | $V_{ENABLE} = 5.1\text{V}$ | | | 9.0 | 12.5 | mA |
| | | | $V_{ENABLE} = 1\text{V}$ | | | 5.0 | 9.0 | mA |
| I_{BB} | Supply Current | $V_{SS} = 9.5\text{V}$, $I_B = 0$, $V_{BB} = -26\text{V}$, $I_{IN} = 300 \mu\text{A}$ (Note 4) | $V_{ENABLE} = 1\text{V}$ | | | -0.8 | -1.5 | mA |
| | | | $V_{ENABLE} = 5.1\text{V}$ | | | -3.0 | -5.0 | mA |
| V_B | Filament Bias Voltage | $I_B = 10 \text{mA}$ | | $V_{BB} + 6.4$ | $V_{BB} + 6.9$ | $V_{BB} + 7.4$ | V | |

Note 1: "Absolute Maximum Ratings" are those values beyond which the safety of the device cannot be guaranteed. They are not meant to imply that the devices should be operated at these limits. The table of "Electrical Characteristics" provides conditions for actual device operation.

Note 2: Unless otherwise specified, min/max limits apply across the 0°C to +70°C range. All typicals are given for $T_A = 25^\circ\text{C}$.

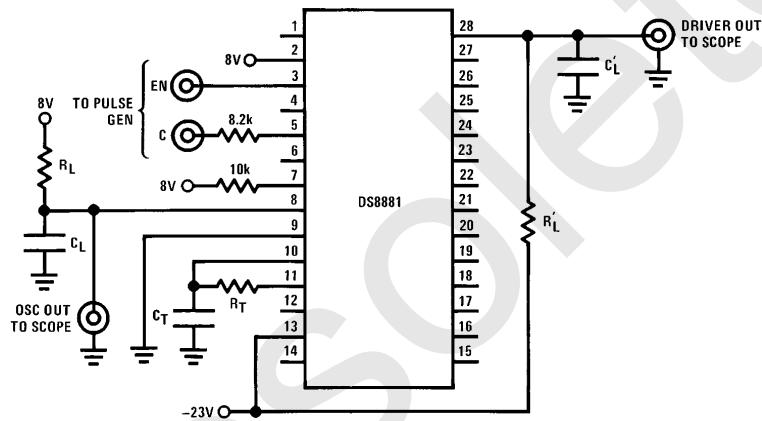
Note 3: All currents into device pins shown as positive, out of device pins as negative, and all voltages referenced to ground unless otherwise noted. All values shown as max or min on absolute value basis.

Note 4: Approximately 50% of input current on pins 4, 5, 6, 7 is shunted to V_{BB} . If minimum I_{BB} is desired, then I_{IN} should be minimized by using resistors in series with the inputs.

Switching Characteristics $T_A = 25^\circ\text{C}$ unless otherwise specified

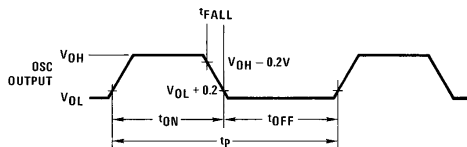
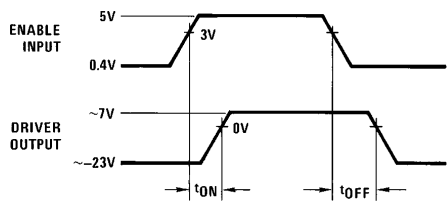
| Symbol | Parameter | Conditions | Min | Typ | Max | Units |
|------------|--|--|-----|-----|-----|---------------|
| t_{pd0} | Propagation Delay to a Logical "0" from Enable Input to Digit Output | $R_L = 4.7\text{ k}\Omega, C_L = 50\text{ pF}, V_{BB} = -23\text{V}, V_{SS} = 8\text{V}$ | | | 1 | μs |
| t_{pd0} | Propagation Delay to a Logical "0" A, B, C, D to Digit Output | | | | 1 | μs |
| t_{pd1} | Propagation Delay to a Logical "1" from Enable Input to Digit Output | | | | 300 | ns |
| t_{pd1} | Propagation Delay to a Logical "1" from A, B, C, D to Digit Output | | | | 500 | ns |
| t_{FALL} | Oscillator Output Transition Time from 1 to 0 | $V_{SS} = 9.5\text{V}, R_L = 6\text{ k}\Omega \text{ to } V_{SS}, C_L = 25\text{ pF}$ | | | 50 | ns |
| f_{OSC} | Oscillator Frequency | $7\text{V} < V_{SS} < 9.5\text{V}, R_T = 27\text{ k}\Omega \pm 2\%, R_L = 1.3\text{k}, C_T = 100\text{ pF}, \pm 5\%, C_L = 50\text{ pF}$ | 320 | 360 | 400 | kHz |
| dc | Oscillator Duty Cycle | | 46 | 56 | 66 | % |

AC Test Circuit



TL/F/5846-2

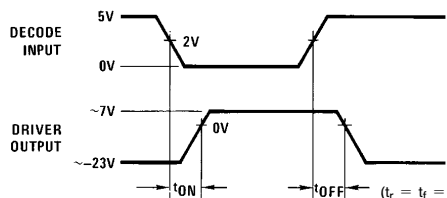
Switching Time Waveforms



TL/F/5846-4

$$\text{Duty Cycle} = \frac{t_{ON}}{t_p}$$

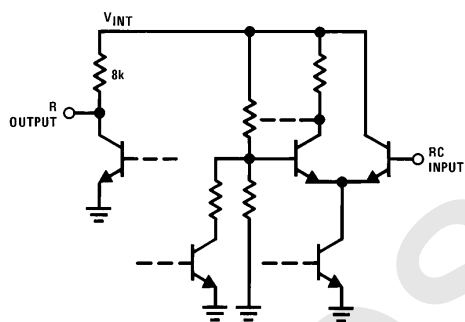
$$\text{Frequency} = \frac{1}{t_p}$$



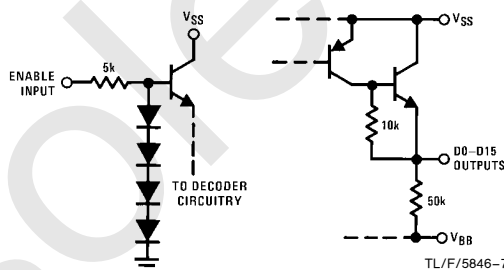
($t_r = t_f = 10$ ns from 10% to 90% of input)

TL/F/5846-3

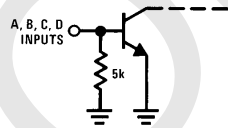
Input-Output Schematics



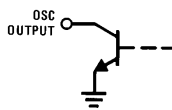
TL/F/5846-5



TL/F/5846-6



TL/F/5846-8

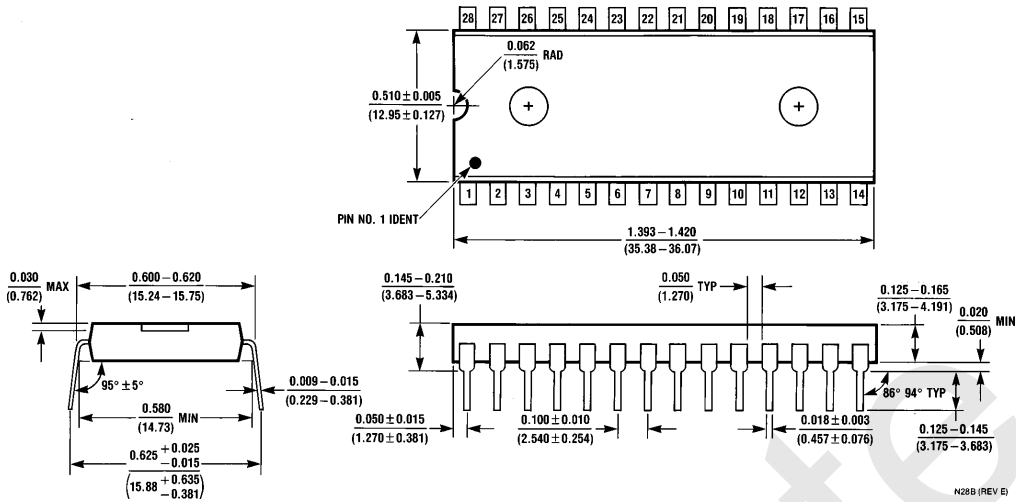


TL/F/5846-9

Obsolete

DS8881 Vacuum Fluorescent Display Driver

Physical Dimensions inches (millimeters)



Molded Dual-In-Line Package (N)
 Order Number DS8881N
 NS Package Number N28B

LIFE SUPPORT POLICY

NATIONAL'S PRODUCTS ARE NOT AUTHORIZED FOR USE AS CRITICAL COMPONENTS IN LIFE SUPPORT DEVICES OR SYSTEMS WITHOUT THE EXPRESS WRITTEN APPROVAL OF THE PRESIDENT OF NATIONAL SEMICONDUCTOR CORPORATION. As used herein:

1. Life support devices or systems are devices or systems which, (a) are intended for surgical implant into the body, or (b) support or sustain life, and whose failure to perform, when properly used in accordance with instructions for use provided in the labeling, can be reasonably expected to result in a significant injury to the user.
2. A critical component is any component of a life support device or system whose failure to perform can be reasonably expected to cause the failure of the life support device or system, or to affect its safety or effectiveness.



National Semiconductor Corporation
 1111 West Bardin Road
 Arlington, TX 76017
 Tel: 1(800) 272-9959
 Fax: 1(800) 737-7018

National Semiconductor Europe
 Fax: (+49) 0-180-530 85 86
 Email: onjwge@tevm2.nsc.com
 Deutsch Tel: (+49) 0-180-530 85 85
 English Tel: (+49) 0-180-532 78 32
 Français Tel: (+49) 0-180-532 93 58
 Italiano Tel: (+49) 0-180-534 16 80

National Semiconductor Hong Kong Ltd.
 19th Floor, Straight Block,
 Ocean Centre, 5 Canton Rd.
 Tsimshatsui, Kowloon
 Hong Kong
 Tel: (852) 2737-1600
 Fax: (852) 2736-9960

National Semiconductor Japan Ltd.
 Tel: 81-043-299-2309
 Fax: 81-043-299-2408

National does not assume any responsibility for use of any circuitry described, no circuit patent licenses are implied and National reserves the right at any time without notice to change said circuitry and specifications.