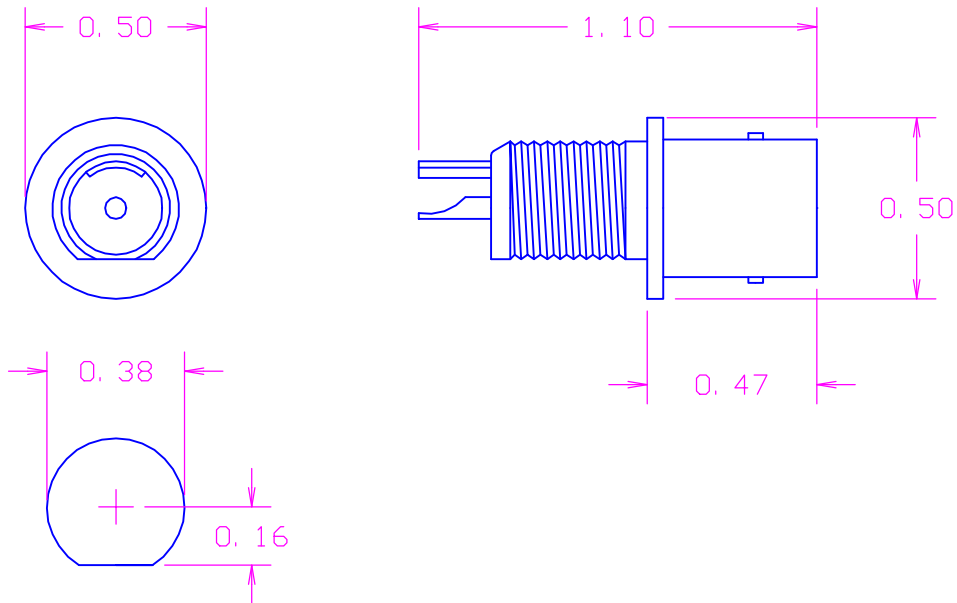


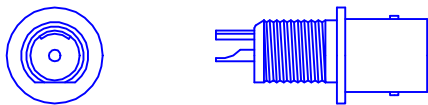
DATE	SYM	REVISION	RECORD	AUTH.	DR.	CK.
7/2/99	-	ISSUED			NT	GH

VIEW FROM REAR



MATERIAL: BODY- BRASS PER ASTM B16
 CONTACT- BERYLLIUM COPPER PER ASTM B196
 INSULATION- PTFE PER ASTM D1710
 FINISH: BODY- TARNISH RESISTANT ALLOY
 ELECTRODEPOSITED FINISH
 CONTACT- .0001"MIN. HARD GOLD PLATE
 SUPPLIED WITH NUT AND WASHER

ACTUAL SIZE



TOLERANCES (EXCEPT AS NOTED)	CONCORD ELECTRONICS CORPORATION		
DECIMAL + -	P/N	SCALE	30 GREAT JONES ST. NEW YORK N. Y. 10012
FRACTIONAL + -	TITLE BNC BULKHEAD CONNECTOR		
ANGULAR + -	DATE 2-5-97	DRAWING NUMBER 800-2490-03-81	