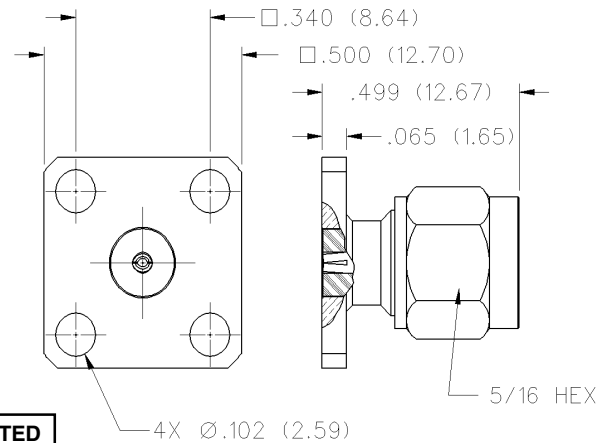
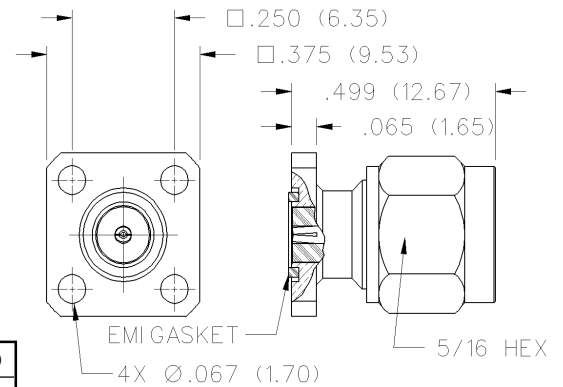


## 4-Hole Flange Mount Plug Receptacle Without EMI Gasket



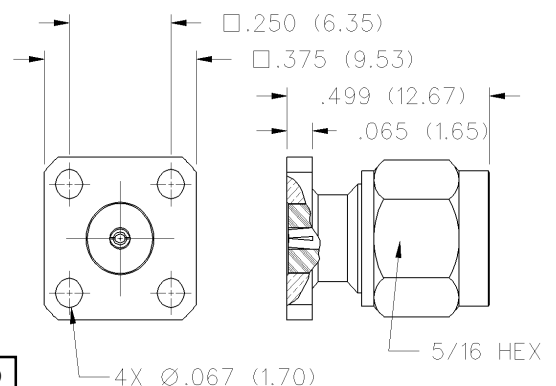
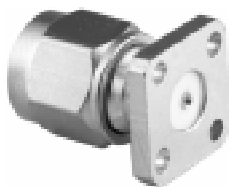
ACCEPTS PIN SIZE	FREQUENCY RANGE	GOLD PLATED	NICKEL PLATED
.020 (0.51)	0-26.5 GHz	142-1801-531	142-1801-536
.036 (0.91)	0-26.5 GHz	142-1801-541	142-1801-546

## 4-Hole Flange Mount Plug Receptacle With EMI Gasket



ACCEPTS PIN SIZE	FREQUENCY RANGE	GOLD PLATED	NICKEL PLATED
.012 (0.30)	0-26.5 GHz	142-1801-551	142-1801-556
.015 (0.38)	0-26.5 GHz	142-1801-561	142-1801-566
.018 (0.46)	0-26.5 GHz	142-1801-571	142-1801-576

## 4-Hole Flange Mount Plug Receptacle Without EMI Gasket



ACCEPTS PIN SIZE	FREQUENCY RANGE	GOLD PLATED	NICKEL PLATED
.020 (0.51)	0-26.5 GHz	142-1801-581	142-1801-586
.036 (0.91)	0-26.5 GHz	142-1801-591	142-1801-596