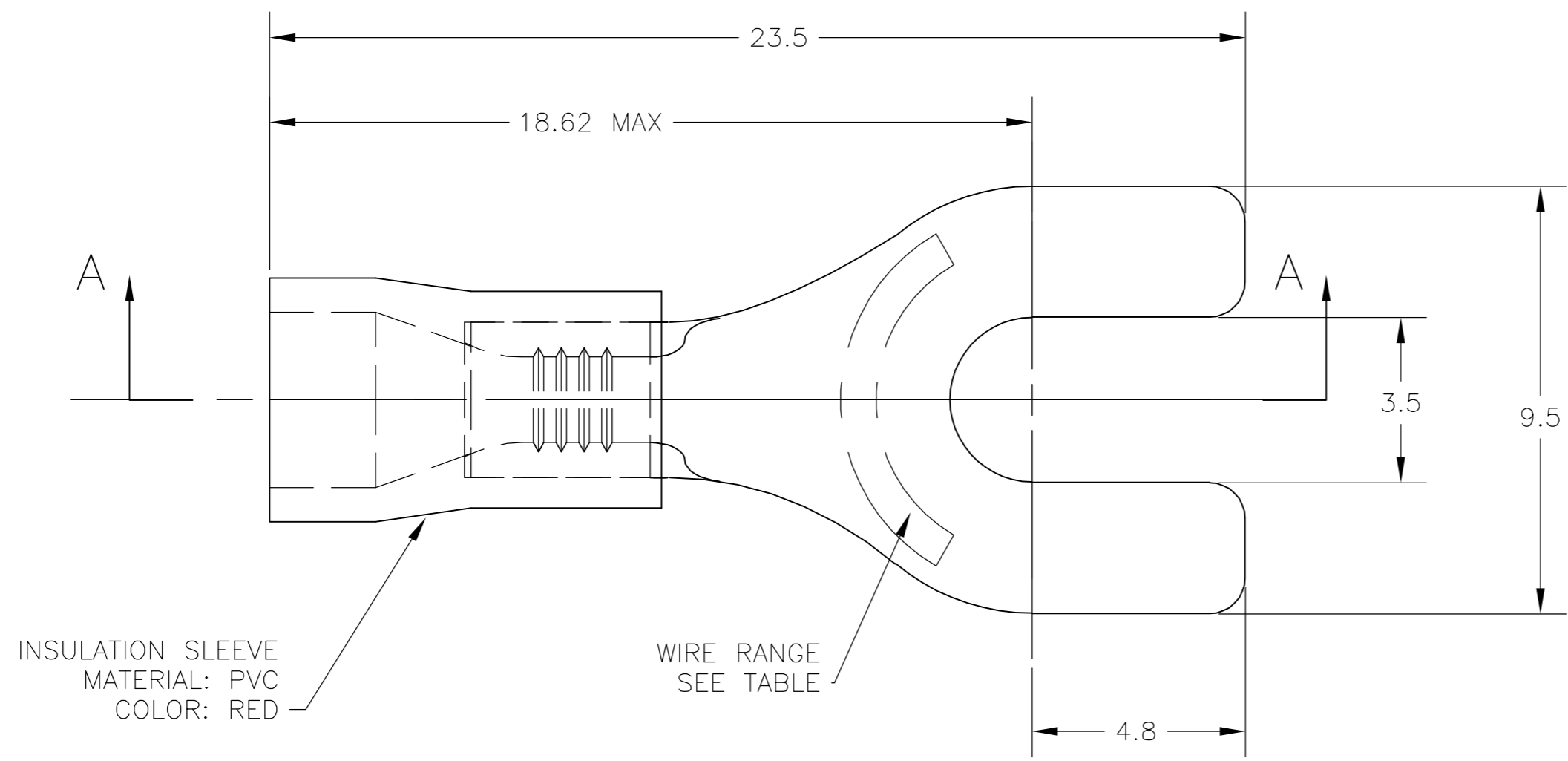
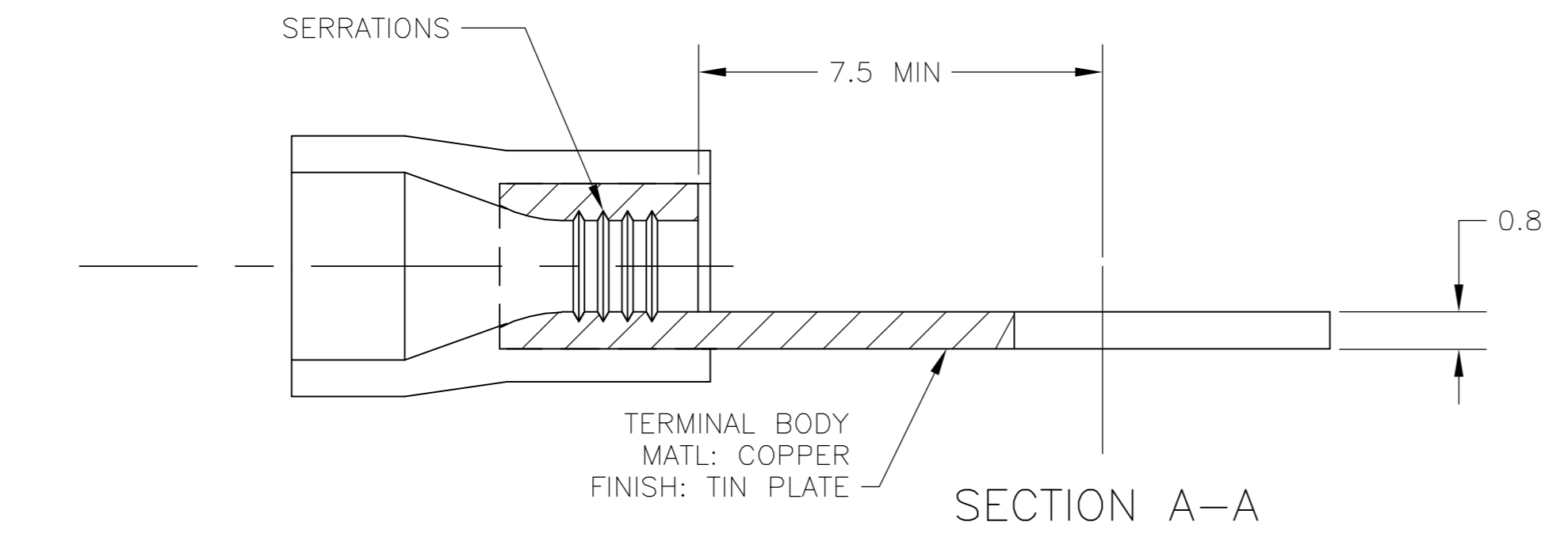


THIS DRAWING IS UNPUBLISHED. RELEASED FOR PUBLICATION
 © COPYRIGHT BY TYCO ELECTRONICS CORPORATION. ALL RIGHTS RESERVED.

LOC	DIST	REVISIONS			
P	LTR	DESCRIPTION	DATE	DWN	APVD
G	14	G1	REV ECR 05-010246	02SEP05	JR TM



1 WIRE INSULATION O.D. 2.7-3.6



POLY BAG WITH HEADER	STANDARD	100	7-342117-1
PLASTIC BOX	STANDARD	100	6-342117-1
TAPED MOUNTED	STANDARD	5000	2-342117-1
PLASTIC BAG	STANDARD	1000	342117-1
PACKAGING	LABELLING	QTY RED	PART NO.

THIS DRAWING IS A CONTROLLED DOCUMENT.		DWN jr ruth 07AUG03	Tyco Electronics Corporation Harrisburg, Pa 17105-3608	
DIMENSIONS: INCHES		CHK T MICHIELUTTI 30AUG05		
TOLERANCES UNLESS OTHERWISE SPECIFIED:		APVD T MICHIELUTTI 30AUG05	NAME TERMINAL, SPADE, PLASTI-GRIP, WIRE SIZE: 22-16 AWG	
0 PLC ± - 1 PLC ± 0.5 2 PLC ± - 3 PLC ± - 4 PLC ± - ANGLES ± 1°		PRODUCT SPEC -	RESTRICTED TO -	
MATERIAL -		FINISH -	APPLICATION SPEC -	SCALE A2 00779 C=342117
CUSTOMER DRAWING		WEIGHT -	SIZE A2	SCALE 5:1 SHEET 1 OF 1 REV G1

342117