

# 9-Bit Switchable Passive SCSI Bus Terminator (220Ω and 330Ω)

The MCCS142233™ is a precision 9-bit switchable passive SCSI bus terminator with a Local-V<sub>CC</sub> (LV<sub>CC</sub>) low voltage sense circuit to latch the Enable state. When the switch is enabled according to the truth table the device provides a 220Ω resistance to Terminator Power (TERMPWR) and 330Ω resistance to Ground for SCSI termination of 9 bits. When the switch is disabled according to the truth table, the device is in a High Impedance State on all 9 bits.

The low voltage sense circuit gives the device the ability to latch the current output state when power is removed from the LV<sub>CC</sub> pin. When powering down a SCSI peripheral containing this device as long as Terminator Power remains there is no interruption to the SCSI bus.

- 9 Switchable 220Ω/330Ω Terminating Resistor Pairs
- Operating Temperature Range: 0°C to 70°C
- Operating Voltage Range: 4.25 to 5.25V
- Resistor Tolerance ±7.5% (Over Temperature and Supply Voltage Ranges)
- Resistor Ratio: R220/R330 = 220Ω/330Ω ±2%
- Local-V<sub>CC</sub> (LV<sub>CC</sub>) Low Voltage Sense Circuit
- Active High or Active Low Enable Input

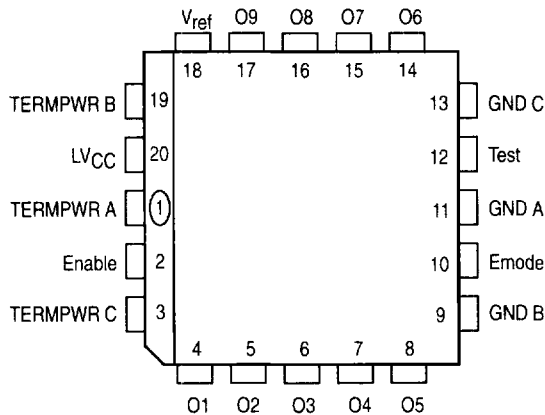
**MCCS142233**

**9-BIT PASSIVE SCSI TERMINATOR (220Ω & 330Ω)**



**Truth Table**

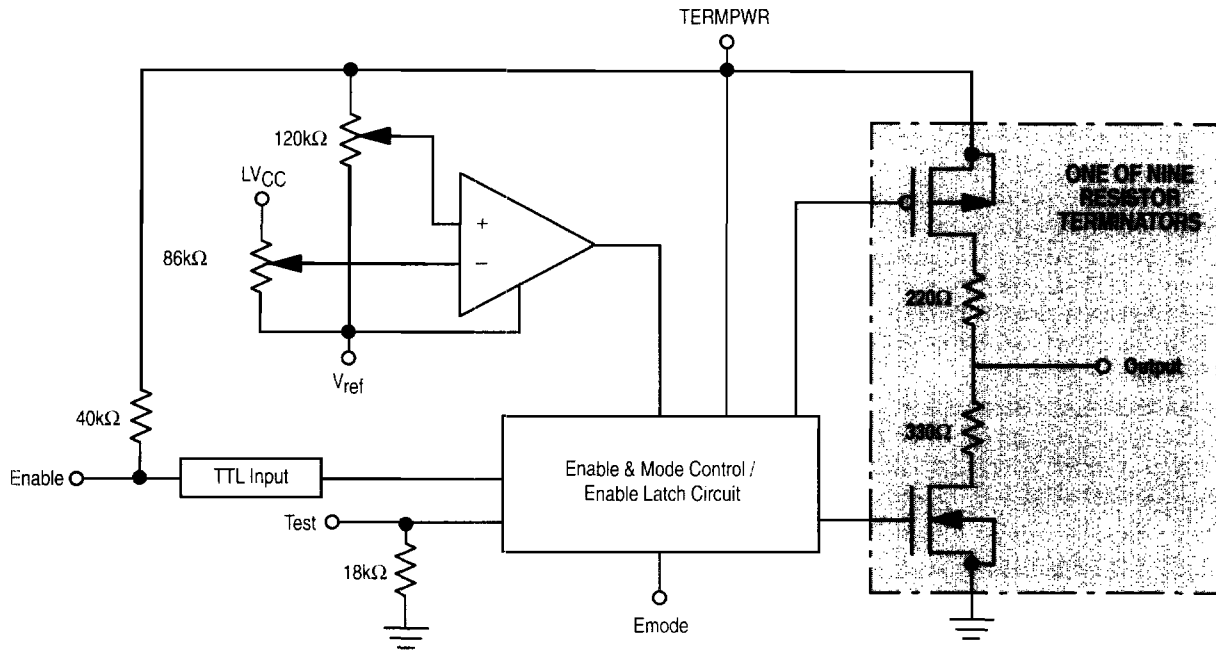
	Test	Emode	Enable	Output	Test Mode	Test	Emode	Enable	Output
	Active Mode	0	0	0		Terminated	1	0	0
0		0	1	Z	1	0	1	220Ω to TERMPWR	
0		1	0	Z	1	1	0	220Ω to TERMPWR	
0		1	1	Terminated	1	1	1	330Ω to GND	



NOTE: All three TERMPWR pins must be connected externally.  
All three V<sub>GND</sub> pins must be connected externally.

**Figure 1. 20-Lead Pinout (Top View)**





**MAXIMUM RATINGS\***

Symbol	Parameter	Value	Units
TERMPWR	DC Terminator Power Voltage (Referenced to GND)	- 0.5 to + 6.0	V
V <sub>in</sub>	DC Input Voltage (Referenced to GND) for Emode/Test pins	- 0.5 to TERMPWR + 0.5	V
V <sub>in</sub>	DC Input Voltage (Referenced to GND) for LV <sub>CC</sub> /Enable pins	- 0.5 to + 6.0	V
V <sub>out</sub>	DC Output Voltage (Referenced to GND)	- 0.5 to TERMPWR + 0.5	V
I <sub>in</sub>	DC Input Current, per pin	± 20	mA
I <sub>out</sub>	DC Output Current, per pin	± 35	mA
I <sub>CC</sub>	DC Supply Current, TERMPWR and GND pins	± 250	mA
T <sub>stg</sub>	Storage Temperature	- 65 to + 150	°C
T <sub>L</sub>	Lead Temperature, 1mm from case for 10 seconds	260	°C

\* Maximum Ratings are those values beyond which damage to the device may occur. Functional operation should be restricted to the Recommended Operating Conditions.

**RECOMMENDED OPERATING CONDITIONS**

Symbol	Parameter	Min	Max	Units
TERMPWR	DC Terminator Power Voltage (Referenced to GND)	4.25	5.25	V
V <sub>in</sub> , V <sub>out</sub>	DC Input Voltage	0	TERMPWR	V
T <sub>A</sub>	Operating Temperature	0	70	°C
t <sub>r</sub> , t <sub>f</sub>	Input Rise and Fall Time (All inputs but LV <sub>CC</sub> )	0	500	ns
t <sub>r</sub> , t <sub>f</sub>	Input Rise and Fall Time (LV <sub>CC</sub> )	0	no limit	ns

## DC CHARACTERISTICS

Symbol	Parameters	TERMPWR (V)	25°C		0°C to + 70°C		Unit	Condition
			Min	Max	Min	Max		
V <sub>IH</sub>	Min High-Level Input Voltage (Emode & Test — HC Inputs)	4.25 5.25	2.98 3.68		2.98 3.68		V	Per Truth Table
	Min High-Level Input Voltage (Enable — HCT Input)	4.25 5.25	2.0 2.0		2.0 2.0		V	Per Truth Table
V <sub>IL</sub>	Max Low-Level Input Voltage (Emode & Test — HC Inputs)	4.25 5.25		1.27 1.57		1.27 1.57	V	Per Truth Table
	Max Low-Level Input Voltage (Enable — HCT Inputs)	4.25 5.25		0.8 0.8		0.8 0.8	V	Per Truth Table
V <sub>out</sub>	Output Voltage When Terminated	4.25 5.25	0.6 • TERMPWR ±2%				V	V <sub>in</sub> = V <sub>IH</sub> or V <sub>IL</sub> I <sub>OUT</sub> = 0 μA
I <sub>in</sub>	Max Input Leakage Current (Emode & LV <sub>CC</sub> Inputs)	5.25		±0.10		±1.0	μA	V <sub>in</sub> = TERMPWR or GND V <sub>ref</sub> = TERMPWR
	Max Input Leakage Current (Enable Input)	5.25		±0.10		±1.0	μA	V <sub>in</sub> = TERMPWR
	Max Input Leakage Current (Test Input)	5.25		±0.10		±1.0	μA	V <sub>in</sub> = GND
I <sub>OZ</sub>	Max Output Leakage Current	5.25		±0.50		±5.0	μA	Per Truth Table
I <sub>CC</sub>	Max Quiescent Supply Current (Enable Active Low)	5.25		300		300	μA	Emode/V <sub>ref</sub> /LV <sub>CC</sub> = TERMPWR Enable/Test = GND
	Max Quiescent Supply Current (Comparator Active)	5.25		500		800	μA	Enable/LV <sub>CC</sub> = TERMPWR Emode/V <sub>ref</sub> /Test = GND
R220	Output Pull-Up Resistor Value (Note 1.)	4.25 to 5.25	218	222	203	237	Ω	Enable/Test/LV <sub>CC</sub> = TERMPWR Emode/V <sub>ref</sub> = GND
R330	Output Pull-Down Resistor Value (Note 1.)	4.25 to 5.25	327	333	305	355	Ω	Test/LV <sub>CC</sub> = TERMPWR Enable/Emode/V <sub>ref</sub> = GND

1. Resistor Values are compensated for a 30°C ambient to junction temperature delta. See "Thermal Considerations" section for a detailed explanation and formula. See Figures 3 & 4 for "Temperature Characteristics of Resistor Values".

Symbol	Parameter	TERMPWR (V)	Typical @ +25°C	Unit	Condition
V <sub>T-</sub>	Max Latch Voltage (LV <sub>CC</sub> Input)	4.25 4.75 5.25	3.50 3.90 4.25	V	Per Truth Table
V <sub>T+</sub>	Min Unlatch Voltage (LV <sub>CC</sub> Input)	4.25 4.75 5.25	4.00 4.40 4.75	V	Per Truth Table

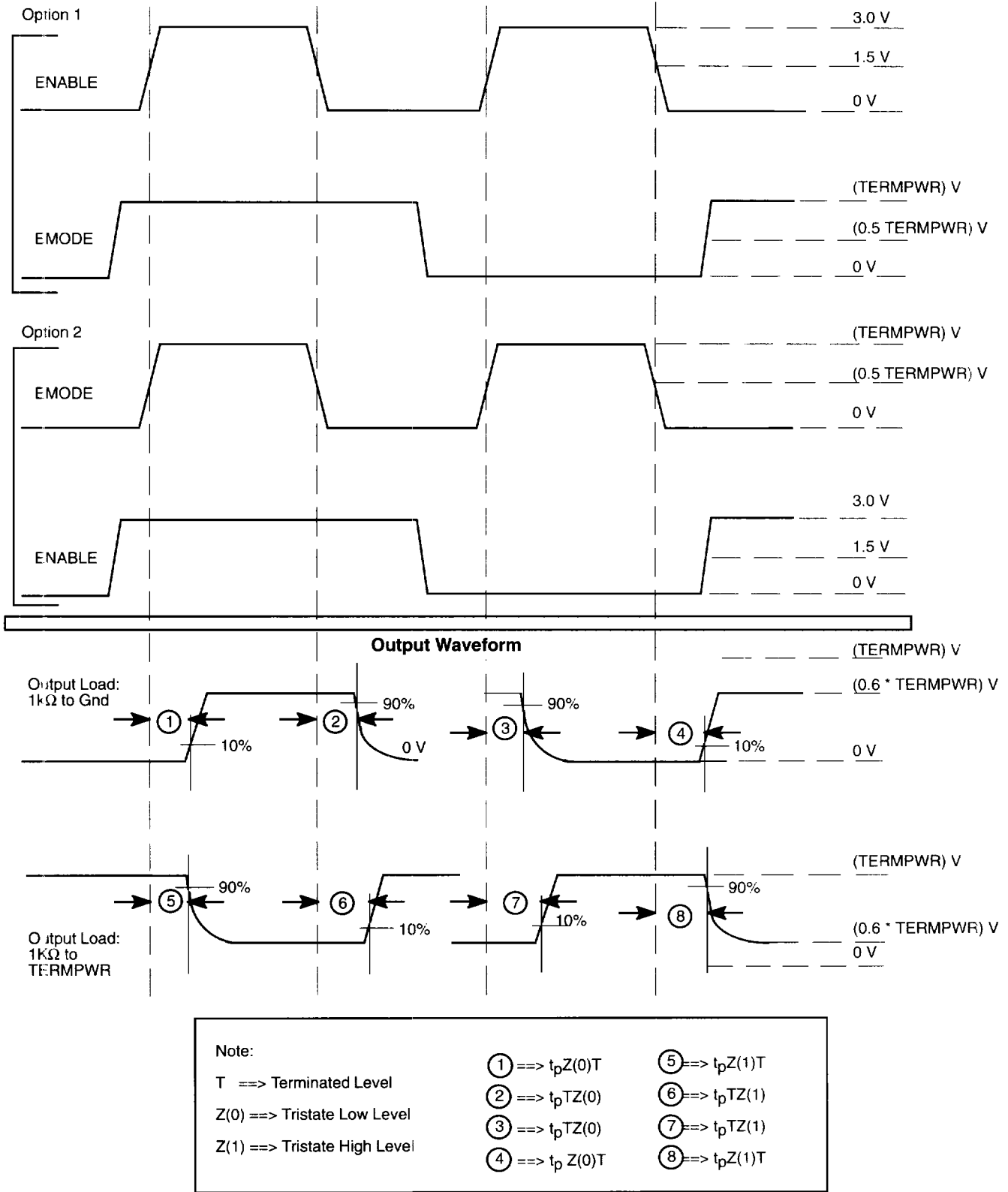


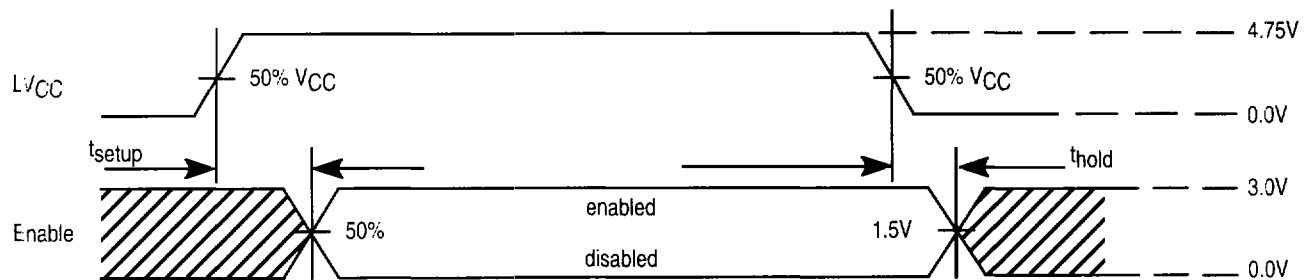
Figure 2. AC Characteristics Input Waveform Options

**AC CHARACTERISTICS:** (TERMPWR = 4.75 ±0.5 V, C<sub>L</sub> = 50 pF, t<sub>r</sub> = t<sub>f</sub> = 6 ns)

Symbol	Parameters	25°C		0°C to + 70°C		Unit	Condition
		Min	Max	Min	Max		
t <sub>pTZ(0)</sub>	Propagation Delay, Enable or Emode to Outputs	-	150	-	200	ns	1 KΩ to GND (See Figure 2)
t <sub>pTZ(1)</sub>	Propagation Delay, Enable or Emode to Outputs	-	100	-	150	ns	1 KΩ to TERMPWR (See Figure 2)
t <sub>pZ(0)T</sub>	Propagation Delay, Enable or Emode to Outputs	-	150	-	200	ns	1 KΩ to GND (See Figure 2)
t <sub>pZ(1)T</sub>	Propagation Delay, Enable or Emode to Outputs	-	100	-	150	ns	1 KΩ to TERMPWR (See Figure 2)

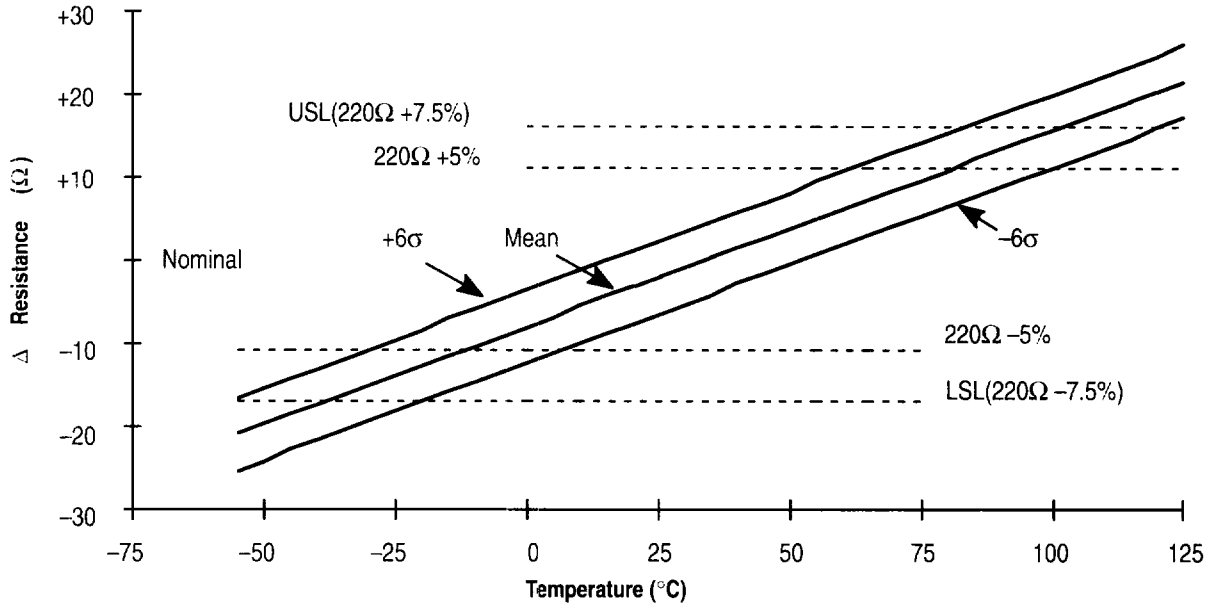
**TIMING REQUIREMENTS:** (TERMPWR = 4.75 ±0.5 V, C<sub>L</sub> = 50 pF, t<sub>r</sub> = t<sub>f</sub> = 6 ns)

Symbol	Parameters	25°C		0°C to + 70°C		Unit	Condition
		Min	Max	Min	Max		
t <sub>s</sub>	Setup Time, LV <sub>CC</sub> to Enable	200	-	500	-	ns	See Figure 3
t <sub>h</sub>	Hold Time, LV <sub>CC</sub> to Enable	50	-	100	-	ns	See Figure 3



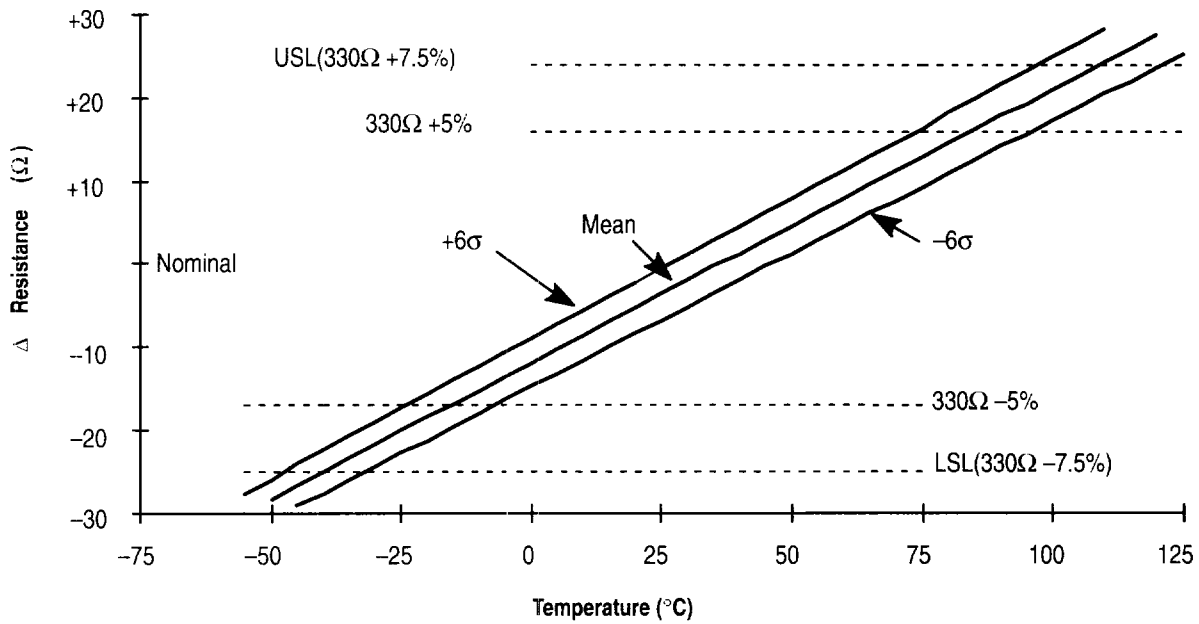
\* If LV<sub>CC</sub> Enable is grounded then the LV<sub>CC</sub> feature is disabled.

**Figure 3. Timing Requirements**



USL = Upper Spec Limit                      LSL = Lower Spec Limit

Figure 4. Temperature Characteristic of 220 $\Omega$  Resistor



USL = Upper Spec Limit                      LSL = Lower Spec Limit

Figure 5. Temperature Characteristic of 330 $\Omega$  Resistor

## MCCS142233 Applications Information

### Enable & Emode:

The Enable and Emode input pins work together to determine the state of the termination resistors; either terminated(Enabled) or high impedance(Disabled). Enable and Emode allow the user to select the polarity of the enable signal to match the system logic signal used to drive the Enable input. If Emode is tied "high" (to TERMPWR), the enable input becomes active "high". Conversely, with Emode tied "low" (to GND), the Enable input becomes active low. This eliminates the need to add external inversion to the Enable signal regardless of the polarity of the system signal provided to the MCCS142233.

Emode can be used instead of Enable to select the state of the termination resistors. Emode has CMOS input levels, while Enable has TTL-compatible input levels.

### LVCC & Vref:

LVCC (Local-VCC) and Vref pins provide a means for latching the proper termination state when the Enable input is driven by local logic. With Enable under local system logic control, the possibility exists for the peripheral containing the MCCS142233 to be powered down. The termination circuitry will still be powered from TERMPWR, but the Enable signal supplied to the chip by local logic will be lost. With the LVCC input tied to the peripheral's internal power supply, the MCCS142233 will sense the loss of local power prior to loss of a valid Enable input signal, and will latch the Enable state which is present prior to local power loss.

The Vref pin is the analog ground for the Local-VCC comparator and reference circuitry. For proper use of this

feature, Vref must be tied to GND. Series resistance supplied by the user between Vref and GND will alter the data sheet latch threshold of LVCC. Thus the LVCC threshold may be tailored to the user's specific requirements.

Note: The input ESD structures on the Enable and LVCC inputs do not incorporate a diode to TERMPWR. Loss of TERMPWR will not result in the local power supply attempting to source TERMPWR to the system. Likewise, if the local supply (5.5 V maximum) exceeds TERMPWR (4.25 V minimum) current will not be drawn from the local power supply to TERMPWR through the MCCS142233.

Use of the Local-VCC sensing feature is only appropriate when the Enable input is driven by system logic. If the MCCS142233 is to be enabled using a wire jumper or throw switch, the user can disable the Local-VCC sensing circuitry by hardwiring the LVCC and Vref pins to TERMPWR. This will eliminate the power consumed by the comparator and reference circuitry to attain the lowest standby power condition possible.

### Test:

The Test pin is used to open circuit one resistor branch of each terminator pair ("Test Mode") to facilitate measurement of the resistor value in production. It is held low internally through a pulldown resistor to operate the device in the "Active Mode" per the truth table. The Test mode may be of use in system debug once the MCCS142233 is on the PC board. It is recommended to leave the Test pin either unconnected (pulled low internally) or grounded depending on whether the "Test Mode" offers any utility to the user in the system configuration.

Enable Input Application	Result
<b>A. No Connection to Enable</b>	Enable input will be pulled "high" internally. Termination state will depend upon the polarity of the Emode input. Emode should be hardwired "high" or the termination will be permanently disabled.
<b>B. Single Pole Switch to GND</b>	Enable input will be pulled "high" internally when the switch is open. Enable input will be held "low" when the switch is closed. Termination state will depend upon the polarity of the Emode input.
<b>C. Double Pole Switch to Both TERMPWR and GND</b>	This is a more expensive way to accomplish application B. above. It is more economical to allow the internal pullup to provide the "high" input level.
<b>D. Hardwired "High"</b>	With Emode also hardwired "high", the MCCS142233 will be permanently enabled and provide termination on all outputs. With Emode hardwired "low", the chip will be permanently disabled.
<b>E. Hardwired "Low"</b>	With Emode also hardwired "low", the MCCS142233 will be permanently enabled and provide termination on all outputs. With Emode hardwired "high" the chip will be permanently disabled. Application D. above is preferred over E. since D. does not draw current through the Enable input pull-up resistor.
<b>F. External Logic Driven</b>	With LVCC input connected to the local power supply and Vref connected to GND, the Local-VCC sensing and Enable latching feature will be active. If this feature is not desired, tie LVCC and Vref to TERMPWR.