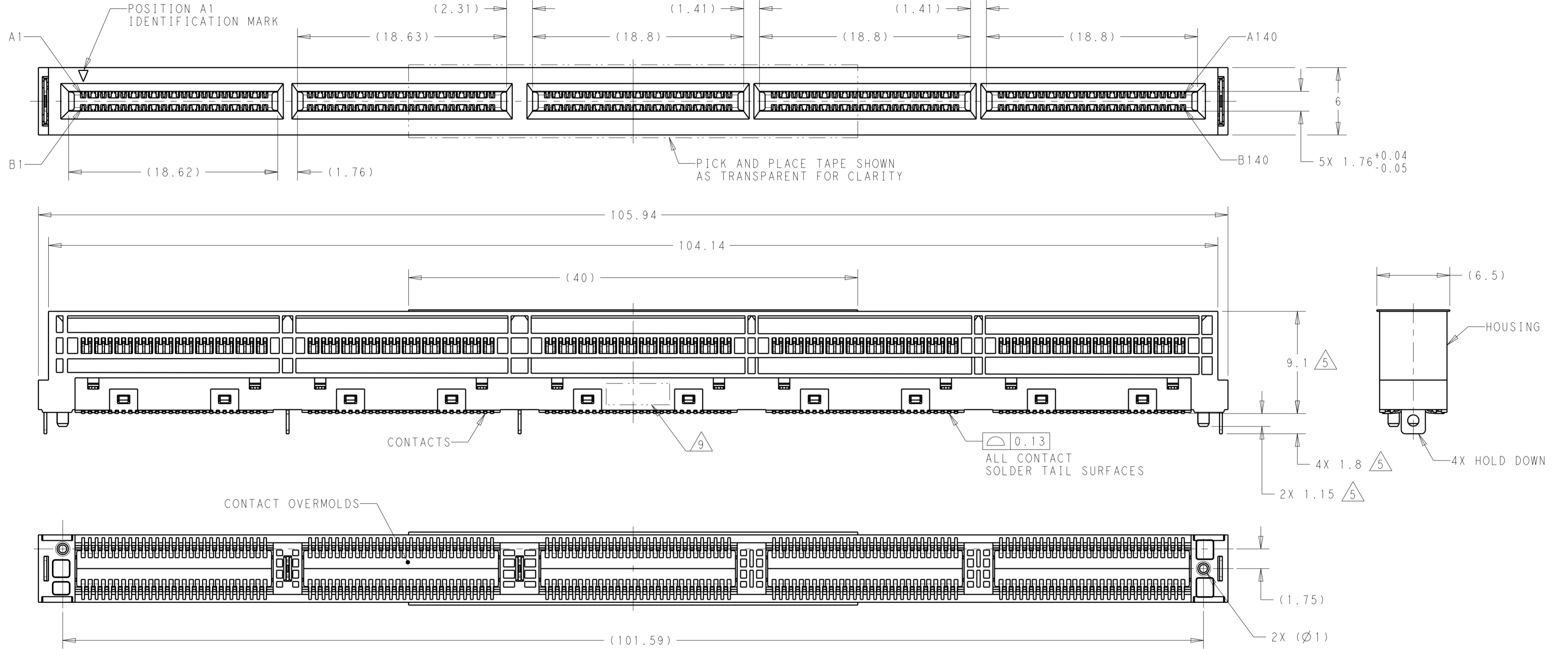


THIS DRAWING IS UNPUBLISHED. RELEASED FOR PUBLICATION 20  
 © COPYRIGHT 20 BY - ALL RIGHTS RESERVED.

REVISIONS					
P	LTR	DESCRIPTION	DATE	DWN	APVD
A		RELEASED	17MAY2019	CJV	JW
B		REVISED PER ECO-19-013560	03SEP2019	CJV	JW



- 1 HOUSING AND CONTACT OVERMOLDS - LCP, BLACK, UL94V-0 RATED. CONTACTS AND HOLD DOWNS - COPPER ALLOY. PICK AND PLACE TAPE - POLYIMIDE FILM.
- 2 CONTACTS - GOLD PLATE ON MATING SURFACES, TIN PLATE ON SOLDER FEET. HOLD DOWNS - TIN PLATE.
- 3 DATUMS AND BASIC DIMENSIONS ESTABLISHED BY CUSTOMER.
- 4. DESIGNED FOR A 1.5 MIN THICK HOST PC BOARD.
- 5 DIMENSION APPLIES FROM CONTACT TAILS.
- 6 PINOUT AND PAD SEQUENCE MAY VARY BY APPLICATION.

- 7 POSITIONS DESIGNATED AS "SIGNAL" ARE REQUIRED LOCATIONS FOR HIGH SPEED DIFFERENTIAL PAIR SIGNALING. THESE LOCATIONS MAY ALSO BE USED FOR SUPPORTING SIDEBAND SIGNALS OR OTHER UTILITY PURPOSES. POSITIONS DESIGNATED AS "GROUND" ARE REQUIRED WHEN SUPPORTING HIGH SPEED DIFFERENTIAL SIGNALS. THESE LOCATIONS MAY ALSO BE USED FOR SIDEBAND SIGNALS OR OTHER UTILITY PURPOSES.
- 8 COMPONENT AND TRACE KEEP OUT AREA. EACH EDGE 0.15 MIN FROM EDGE OF HOLE.
- 9 DATE CODE MARKED IN APPROXIMATE AREA SHOWN.
- 10. MATES WITH BOARDS DESIGNED TO THE SFF-TA-1002 SPECIFICATION.

PACKAGING	PLATING	PICK AND PLACE TAPE	MATING CYCLES	PART NUMBER
HARD TRAY	0.76µm Au	NO	200	1-2328461-2
HARD TRAY	0.76µm Au	YES	200	1-2328461-1
HARD TRAY	0.38µm Au	YES	100	2328461-2
HARD TRAY	FLASH Au/Pd Ni	YES	50	2328461-1

THIS DRAWING IS A CONTROLLED DOCUMENT.

DWN M. SHIRK 24APR2018  
 CHK J. WESTMAN 24APR2018  
 APVD -

STE TE Connectivity

NAME RECEPTACLE CONNECTOR, VERTICAL, 280 POSITION, SLIVER 2.0

PRODUCT SPEC 108-130022  
 APPLICATION SPEC 114-130011

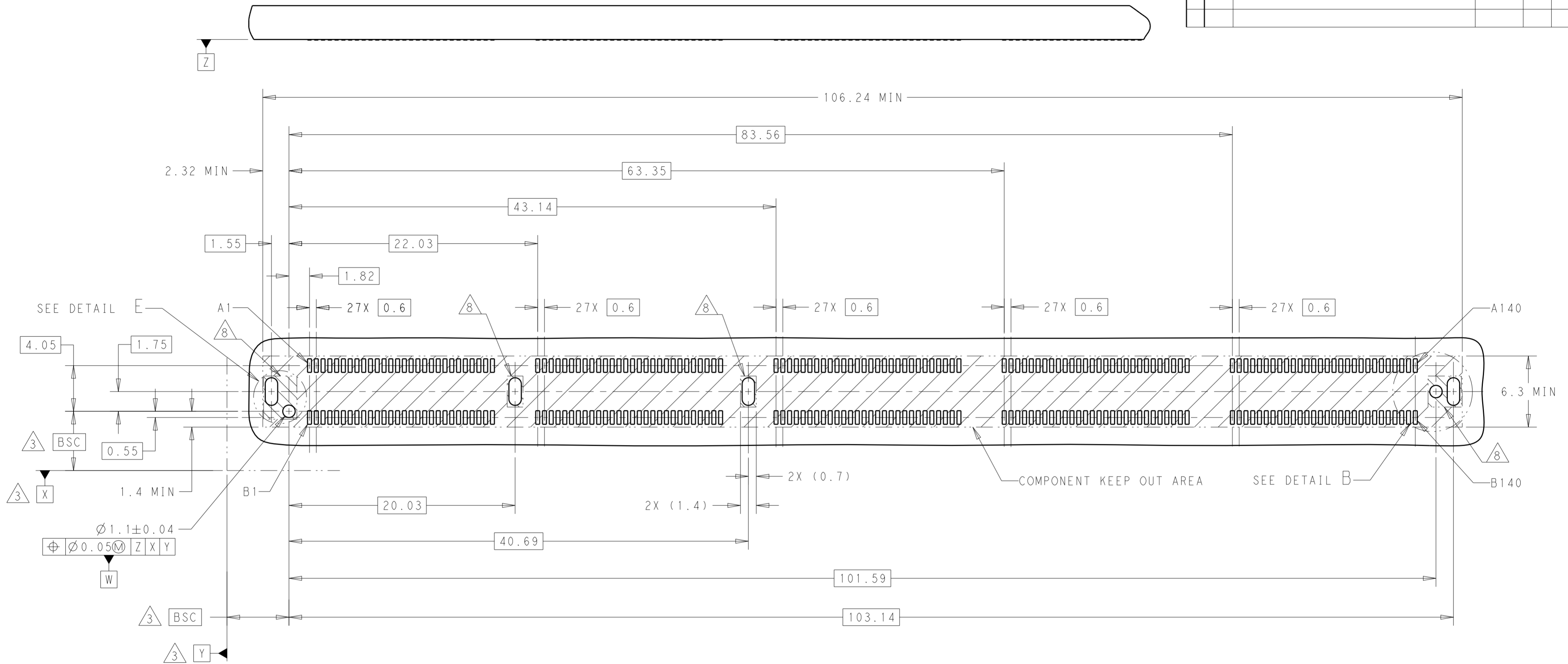
SIZE A2 CAGE CODE 00779 DRAWING NO C-2328461 RESTRICTED TO

MATERIAL 1 TOLERANCES UNLESS OTHERWISE SPECIFIED: 2

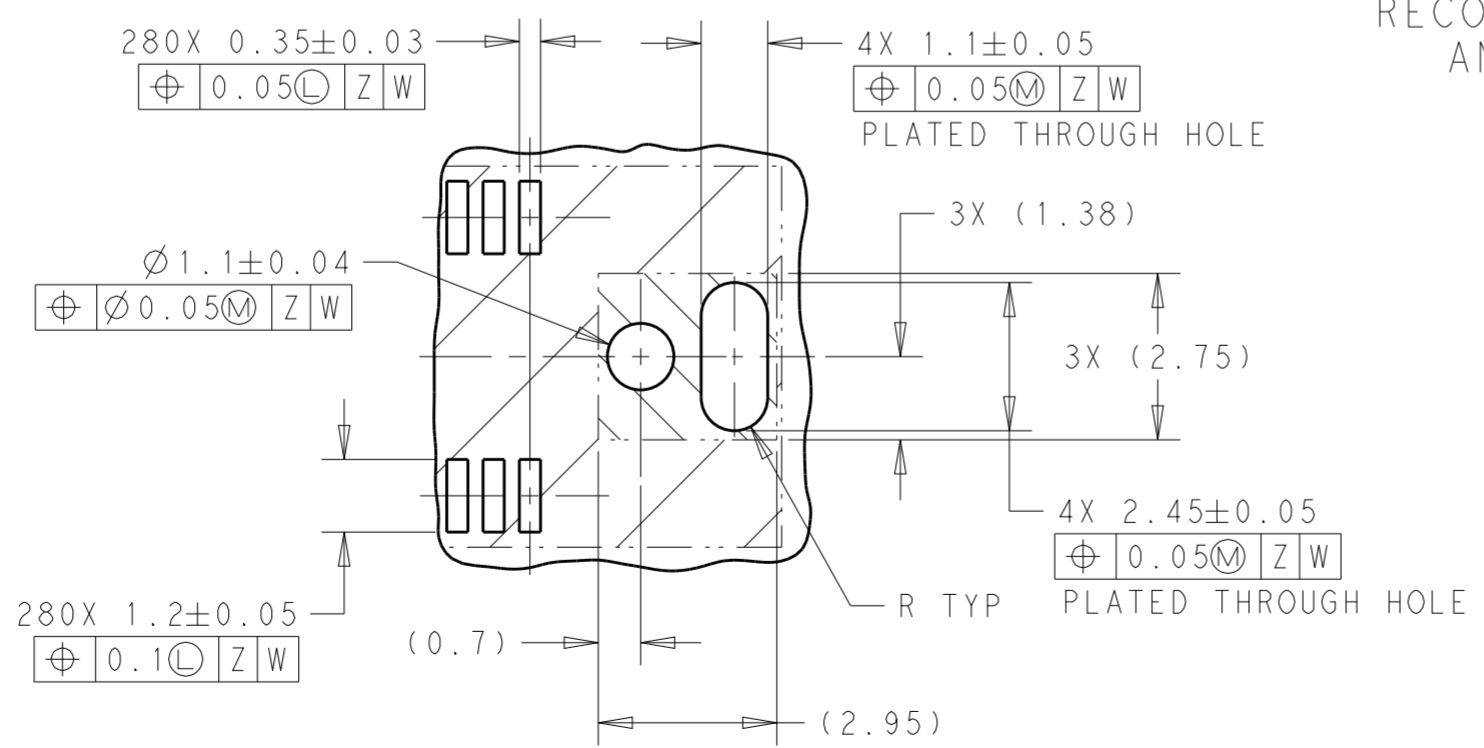
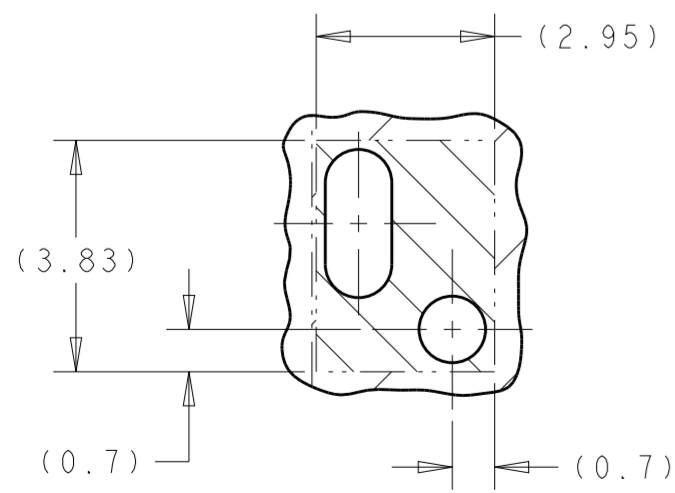
0 PLC ±-  
 1 PLC ±0.1  
 2 PLC ±0.1  
 3 PLC ±-  
 4 PLC ±-  
 ANGLES ±5°  
 FINISH

CUSTOMER DRAWING SCALE 4:1 SHEET 1 OF 4 REV B

REVISIONS				
P	LTR	DESCRIPTION	DATE	APVD
-		SEE SHEET 1	-	-



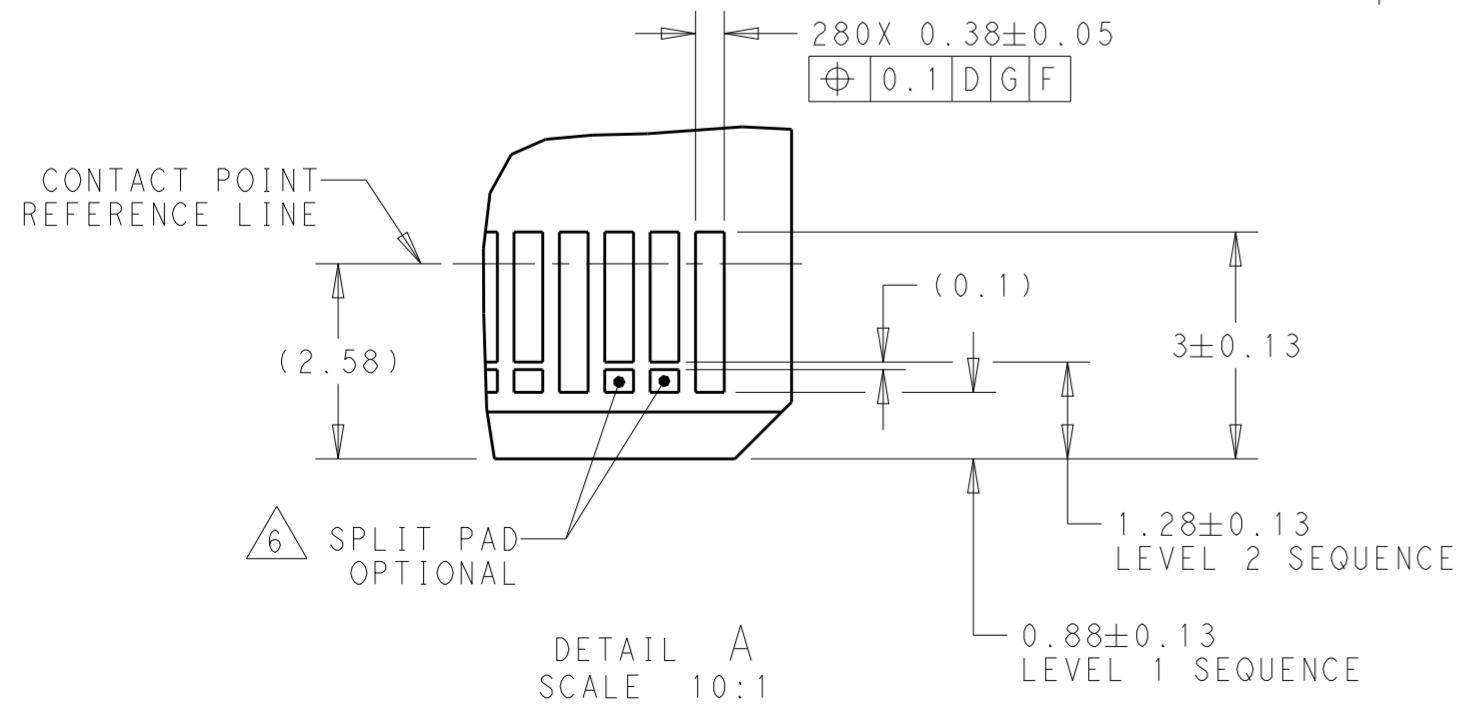
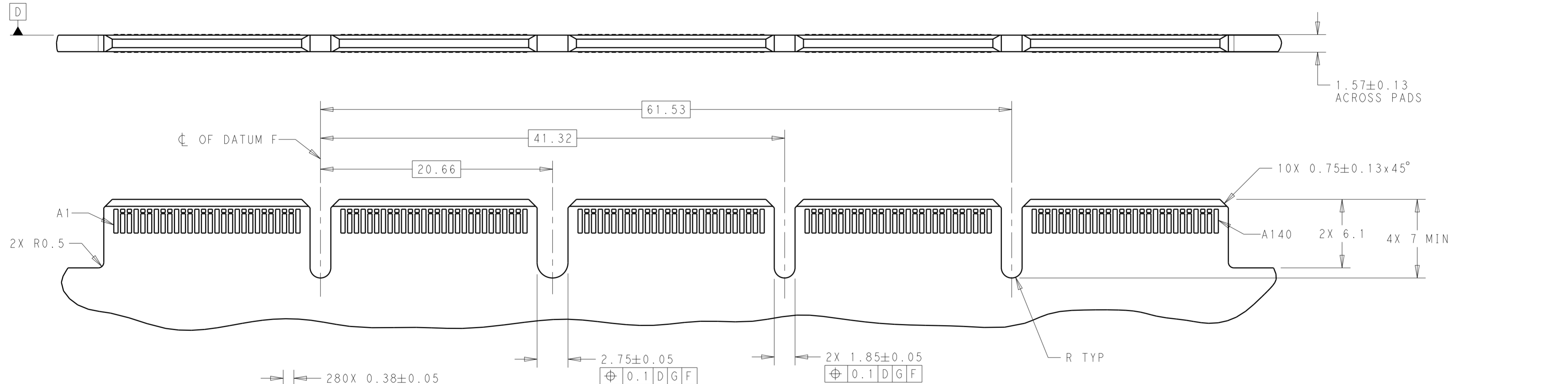
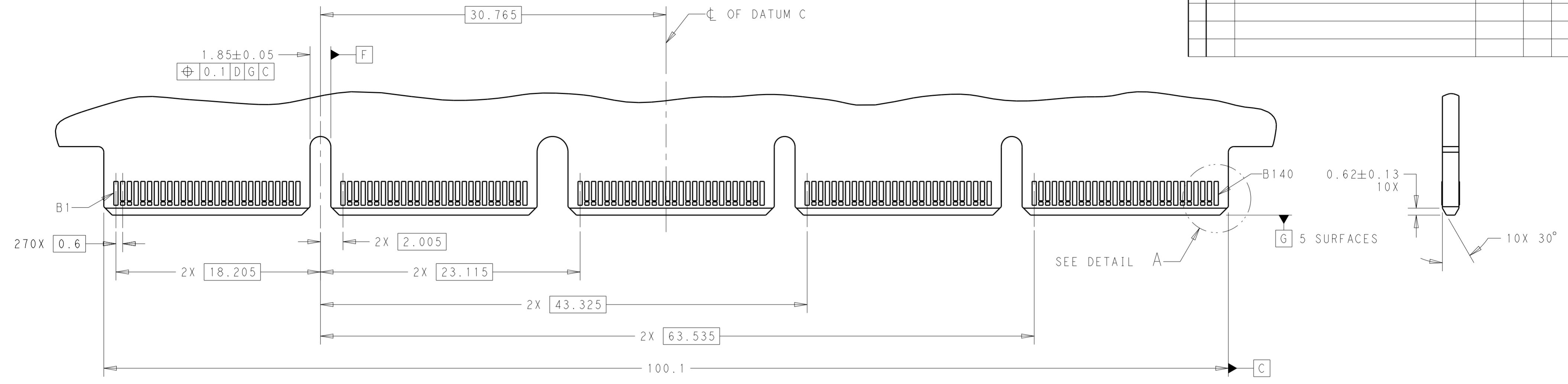
RECOMMENDED PCB LAYOUT AND KEEP OUT AREA



THIS DRAWING IS A CONTROLLED DOCUMENT.		DWN M. SHIRK 24APR2018	TE Connectivity	
		CHK J. WESTMAN 24APR2018		
DIMENSIONS: mm		APVD -	NAME RECEPTACLE CONNECTOR, VERTICAL, 280 POSITION, SLIVER 2.0	
		PRODUCT SPEC 108-130022		SIZE A200779 CAGE CODE C-2328461
		APPLICATION SPEC 114-130011		
MATERIAL -		WEIGHT -		RESTRICTED TO
		CUSTOMER DRAWING		SCALE 4:1 SHEET 2 OF 4 REV B

THIS DRAWING IS UNPUBLISHED. RELEASED FOR PUBLICATION 20  
 © COPYRIGHT 20 BY - ALL RIGHTS RESERVED.

REVISIONS				
P	LTR	DESCRIPTION	DATE	APVD
-	-	SEE SHEET 1	-	-



THIS DRAWING IS A CONTROLLED DOCUMENT.		DWN M. SHIRK 24APR2018	TE Connectivity	
		CHK J. WESTMAN 24APR2018		
DIMENSIONS: mm		APVD -	NAME RECEPTACLE CONNECTOR, VERTICAL, 280 POSITION, SLIVER 2.0	
TOLERANCES UNLESS OTHERWISE SPECIFIED:		PRODUCT SPEC 108-130022	SIZE A200779	
0 PLC ±-		APPLICATION SPEC 114-130011	CAGE CODE C-2328461	
1 PLC ±0.1		WEIGHT -	DRAWING NO -	
2 PLC ±0.1		CUSTOMER DRAWING	RESTRICTED TO	
3 PLC ±-		SCALE 4:1	SHEET 3 OF 4	
4 PLC ±-			REV B	
ANGLES ±5°				
FINISH -				

THIS DRAWING IS UNPUBLISHED. RELEASED FOR PUBLICATION 20  
 © COPYRIGHT 20 BY - ALL RIGHTS RESERVED.

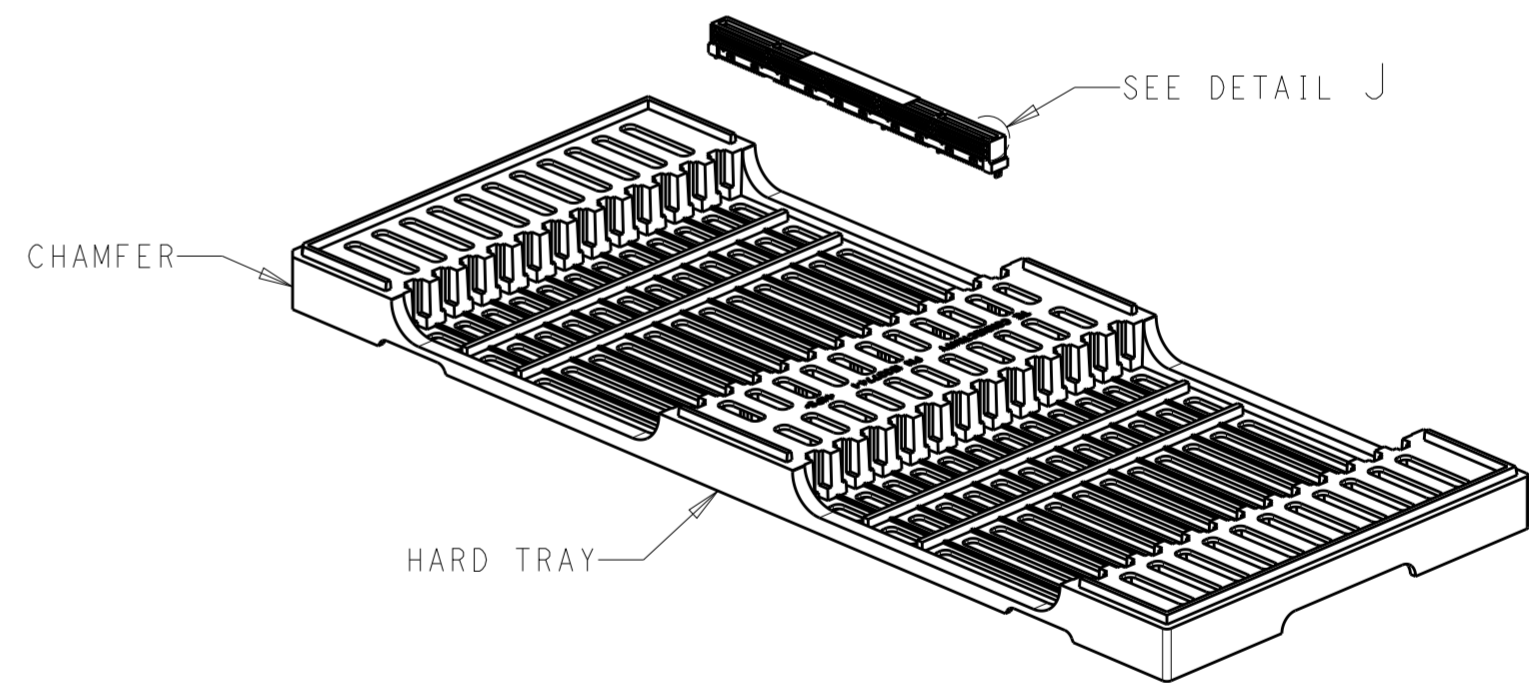
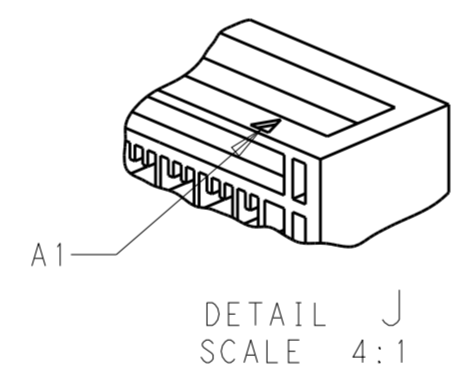
REVISIONS				
P	LTR	DESCRIPTION	DATE	APVD
-	-	SEE SHEET 1	-	-

CONTACT NUMBER	SIDE A	SIDE B
1	GROUND	GROUND
2	SIGNAL	SIGNAL
3	SIGNAL	SIGNAL
4	GROUND	GROUND
5	SIGNAL	SIGNAL
6	SIGNAL	SIGNAL
7	GROUND	GROUND
8	SIGNAL	SIGNAL
9	SIGNAL	SIGNAL
10	GROUND	GROUND
11	SIGNAL	SIGNAL
12	SIGNAL	SIGNAL
13	GROUND	GROUND
14	SIGNAL	SIGNAL
15	SIGNAL	SIGNAL
16	GROUND	GROUND
17	SIGNAL	SIGNAL
18	SIGNAL	SIGNAL
19	GROUND	GROUND
20	SIGNAL	SIGNAL
21	SIGNAL	SIGNAL
22	GROUND	GROUND
23	SIGNAL	SIGNAL
24	SIGNAL	SIGNAL
25	GROUND	GROUND
26	SIGNAL	SIGNAL
27	SIGNAL	SIGNAL
28	GROUND	GROUND
29	GROUND	GROUND
30	SIGNAL	SIGNAL
31	SIGNAL	SIGNAL
32	GROUND	GROUND
33	SIGNAL	SIGNAL
34	SIGNAL	SIGNAL
35	GROUND	GROUND
36	SIGNAL	SIGNAL
37	SIGNAL	SIGNAL
38	GROUND	GROUND
39	SIGNAL	SIGNAL
40	SIGNAL	SIGNAL
41	GROUND	GROUND
42	SIGNAL	SIGNAL
43	SIGNAL	SIGNAL
44	GROUND	GROUND
45	SIGNAL	SIGNAL
46	SIGNAL	SIGNAL
47	GROUND	GROUND
48	SIGNAL	SIGNAL
49	SIGNAL	SIGNAL
50	GROUND	GROUND
51	SIGNAL	SIGNAL
52	SIGNAL	SIGNAL
53	GROUND	GROUND
54	SIGNAL	SIGNAL
55	SIGNAL	SIGNAL
56	GROUND	GROUND

CONTACT NUMBER	SIDE A	SIDE B
57	GROUND	GROUND
58	SIGNAL	SIGNAL
59	SIGNAL	SIGNAL
60	GROUND	GROUND
61	SIGNAL	SIGNAL
62	SIGNAL	SIGNAL
63	GROUND	GROUND
64	SIGNAL	SIGNAL
65	SIGNAL	SIGNAL
66	GROUND	GROUND
67	SIGNAL	SIGNAL
68	SIGNAL	SIGNAL
69	GROUND	GROUND
70	SIGNAL	SIGNAL
71	SIGNAL	SIGNAL
72	GROUND	GROUND
73	SIGNAL	SIGNAL
74	SIGNAL	SIGNAL
75	GROUND	GROUND
76	SIGNAL	SIGNAL
77	SIGNAL	SIGNAL
78	GROUND	GROUND
79	SIGNAL	SIGNAL
80	SIGNAL	SIGNAL
81	GROUND	GROUND
82	SIGNAL	SIGNAL
83	SIGNAL	SIGNAL
84	GROUND	GROUND
85	GROUND	GROUND
86	SIGNAL	SIGNAL
87	SIGNAL	SIGNAL
88	GROUND	GROUND
89	SIGNAL	SIGNAL
90	SIGNAL	SIGNAL
91	GROUND	GROUND
92	SIGNAL	SIGNAL
93	SIGNAL	SIGNAL
94	GROUND	GROUND
95	SIGNAL	SIGNAL
96	SIGNAL	SIGNAL
97	GROUND	GROUND
98	SIGNAL	SIGNAL
99	SIGNAL	SIGNAL
100	GROUND	GROUND
101	SIGNAL	SIGNAL
102	SIGNAL	SIGNAL
103	GROUND	GROUND
104	SIGNAL	SIGNAL
105	SIGNAL	SIGNAL
106	GROUND	GROUND
107	SIGNAL	SIGNAL
108	SIGNAL	SIGNAL
109	GROUND	GROUND
110	SIGNAL	SIGNAL
111	SIGNAL	SIGNAL
112	GROUND	GROUND

CONTACT NUMBER	SIDE A	SIDE B
113	GROUND	GROUND
114	SIGNAL	SIGNAL
115	SIGNAL	SIGNAL
116	GROUND	GROUND
117	SIGNAL	SIGNAL
118	SIGNAL	SIGNAL
119	GROUND	GROUND
120	SIGNAL	SIGNAL
121	SIGNAL	SIGNAL
122	GROUND	GROUND
123	SIGNAL	SIGNAL
124	SIGNAL	SIGNAL
125	GROUND	GROUND
126	SIGNAL	SIGNAL
127	SIGNAL	SIGNAL
128	GROUND	GROUND
129	SIGNAL	SIGNAL
130	SIGNAL	SIGNAL
131	GROUND	GROUND
132	SIGNAL	SIGNAL
133	SIGNAL	SIGNAL
134	GROUND	GROUND
135	SIGNAL	SIGNAL
136	SIGNAL	SIGNAL
137	GROUND	GROUND
138	SIGNAL	SIGNAL
139	SIGNAL	SIGNAL
140	GROUND	GROUND

- MATERIAL:  
 TRAY: HIPS, COLOR: BLACK.  
 BOX: CORRUGATED FIBERBOARD.  
 TRANSPARENT BAG: PE.
- DIMENSIONS:  
 TRAY: L= 330, W= 136, H= 18.  
 BOX: L= 13.75 IN, W= 11.75 IN, H= 5.75 IN.
- QUANTITY:  
 24 PIECES PER TRAY.  
 288 PIECES PER BOX.



HARD TRAY PACKAGING  
 SHOWN AS 2328461-1, 2328461-2 OR 1-2328461-1  
 SCALE 1:2

CONNECTOR CONTACT IDENTIFICATION

THIS DRAWING IS A CONTROLLED DOCUMENT.		DWN M. SHIRK 24APR2018	TE Connectivity
		CHK J. WESTMAN 24APR2018	
DIMENSIONS:	TOLERANCES UNLESS OTHERWISE SPECIFIED:	APVD -	NAME RECEPTACLE CONNECTOR, VERTICAL, 280 POSITION, SLIVER 2.0
mm	0 PLC ±0.1	PRODUCT SPEC 108-130022	SIZE
	1 PLC ±0.1	APPLICATION SPEC 114-130011	CAGE CODE
	2 PLC ±0.1	WEIGHT -	DRAWING NO. A200779
	3 PLC ±0.1		C-2328461
	4 PLC ±0.1		RESTRICTED TO
MATERIAL -	ANGLES ±5°	CUSTOMER DRAWING	SCALE 4:1 SHEET 4 OF 4 REV B
	FINISH -		

# Mouser Electronics

Authorized Distributor

Click to View Pricing, Inventory, Delivery & Lifecycle Information:

[TE Connectivity:](#)

[1-2328461-1](#)