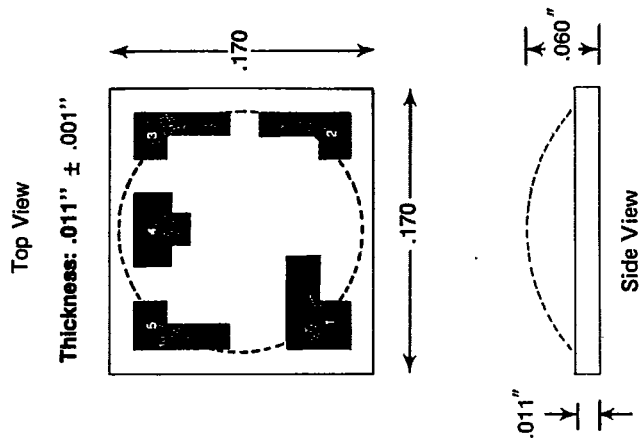
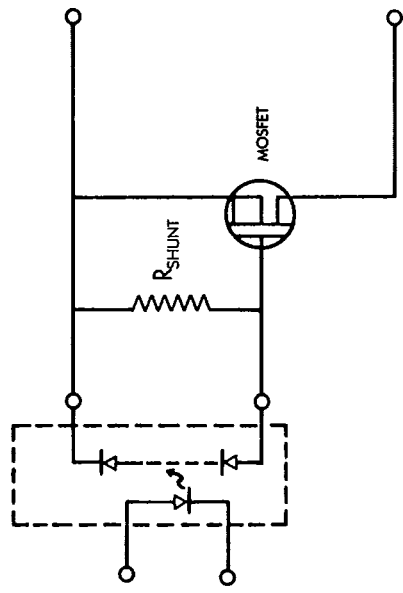


ISO CHIP DIG-11-06-030C, DIG-11-08-050C, DIG-11-06-150C

Coupled Characteristics (TA = 25°C)	Symbol	DIG-11-06-030 MIN. TYP.	DIG-11-08-050 MIN. TYP.	DIG-11-06-150 MIN. TYP.	Unit
Open Circuit Voltage @ IF = 10mA @ IF = 30mA	VOC	5.0 6.0	6.0 7.0	8.0 9.0	V
Short Circuit Current @ IF = 10mA @ IF = 30mA	ISC	1.0 2.0	1.5 3.0	5.0 15.0	μA
On Time @ IF = 50 mA, PW = 100 μS, f = 1 KHz RSHUNT = 10 Meg, C = 10 pf	tON	—	—	5.0	μS
Off Time @ IF = 50 mA, PW = 100 μS, f = 1 KHz RSHUNT = 10 Meg, C = 10 pf	tOFF	—	—	300	μS
Operating Temperature	T(op)	-50° to 80°			°C
Temperature Coefficient	θ	-40			mV/°C



Direct Gate Driver for MOSFET



R_{SHUNT} can be adjusted to obtain optimum values of t_{ON} and t_{OFF}. Typically, the Optimum R_{SHUNT} varies from 1 Megohm for DIG-11-06-150C to about 10 Megohm for DIG-11-06-030C.

