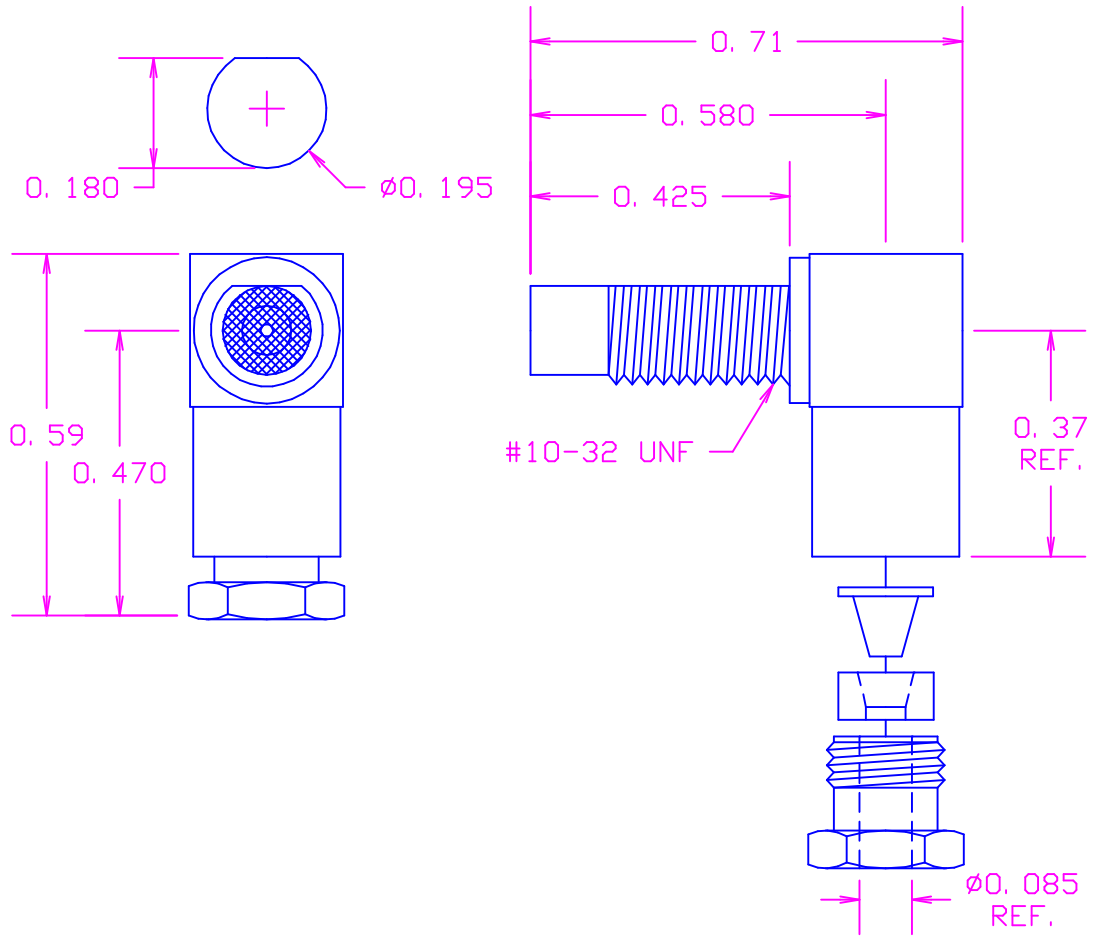


DATE	SYM	REVISION RECORD	AUTH.	DR.	CK.
12/4/98	-	ISSUED			



MATERIAL: BODY AND CONTACT- BRASS PER ASTM B16,  
ALLOY C 36000, 1/2 HARD

INSULATION- PTFE PER ASTM D1710

FINISH: CONTACT- GOLD PER MIL-G-45204

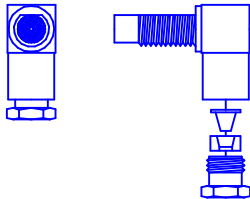
BODY- GOLD PLATED

IMPEDANCE: 50 OHMS REF.

CABLE: RG178, RG196, M17/93, M17/169

SUPPLIED WITH HEX NUT AND LOCKWASHER

ACTUAL SIZE



TOLERANCES REF. ONLY	CONCORD ELECTRONICS CORPORATION		
DECIMAL + -	P/N	SCALE	30 GREAT JONES ST. NEW YORK N. Y. 10012
FRACTIONAL + -	TITLE SMC BULKHEAD RIGHT ANGLE MALE CABLE JACK		
+ -	DATE 12/2/98	DRAWING NUMBER 800-2006-84	