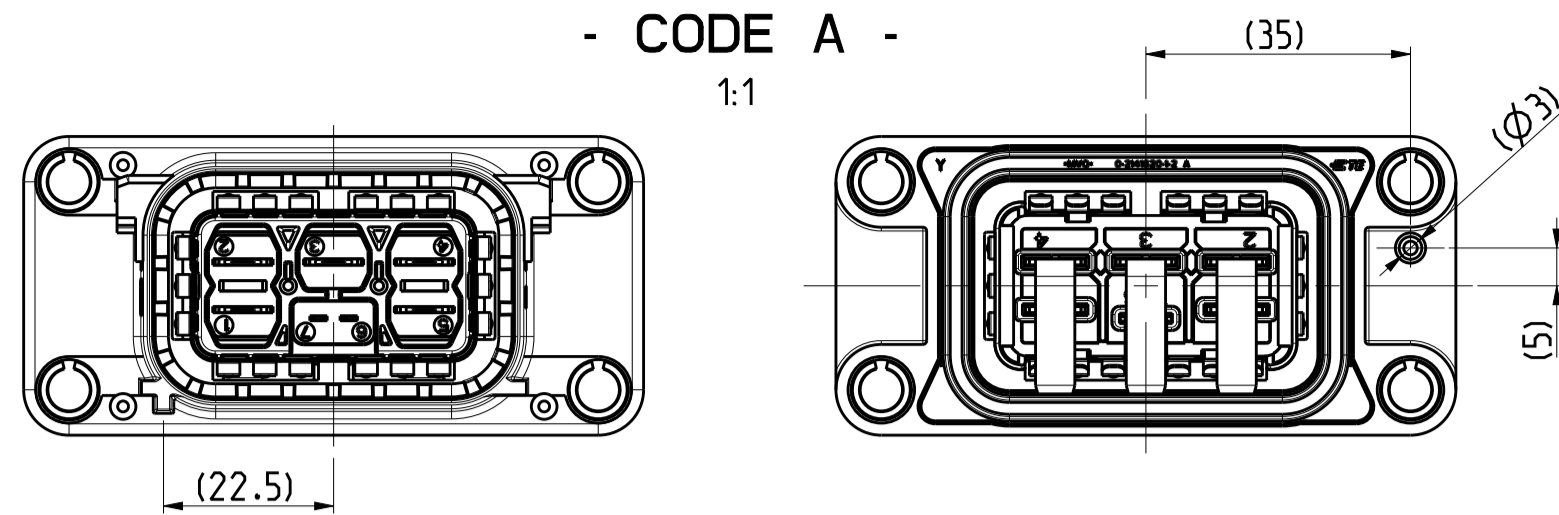
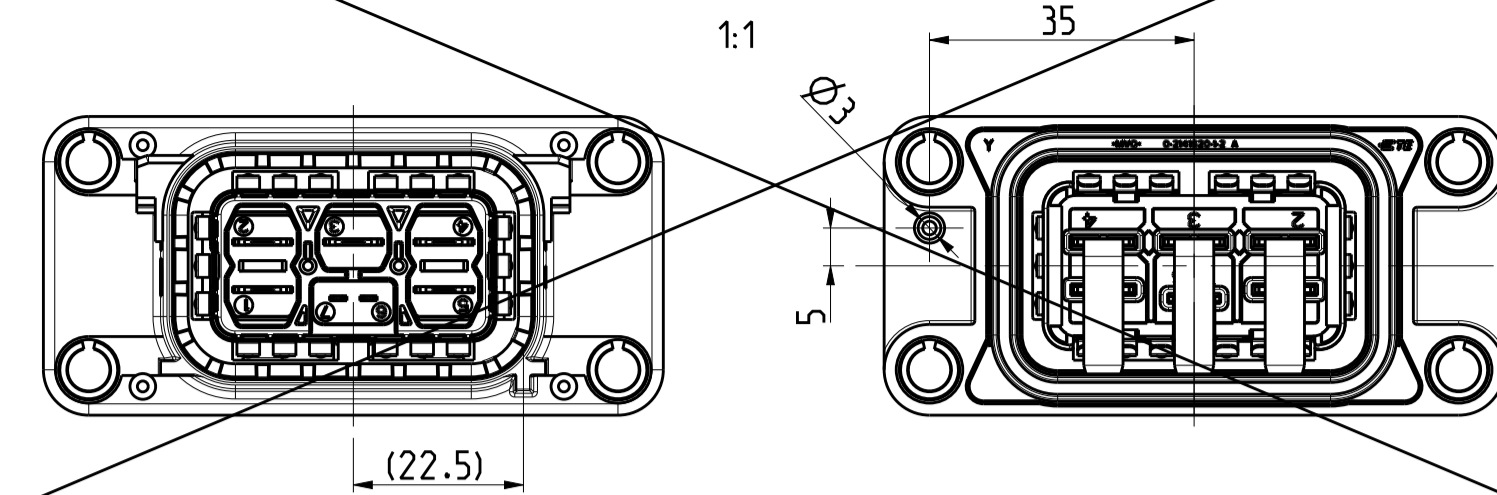


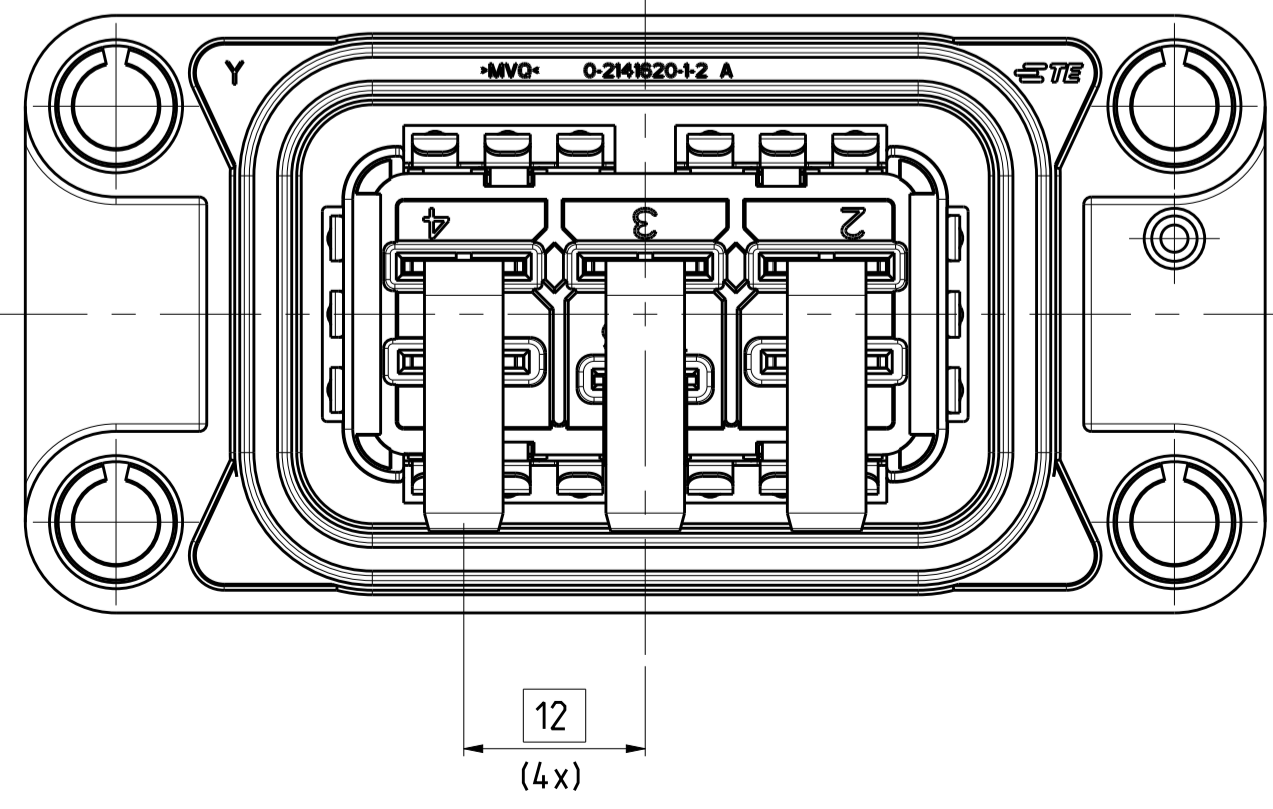
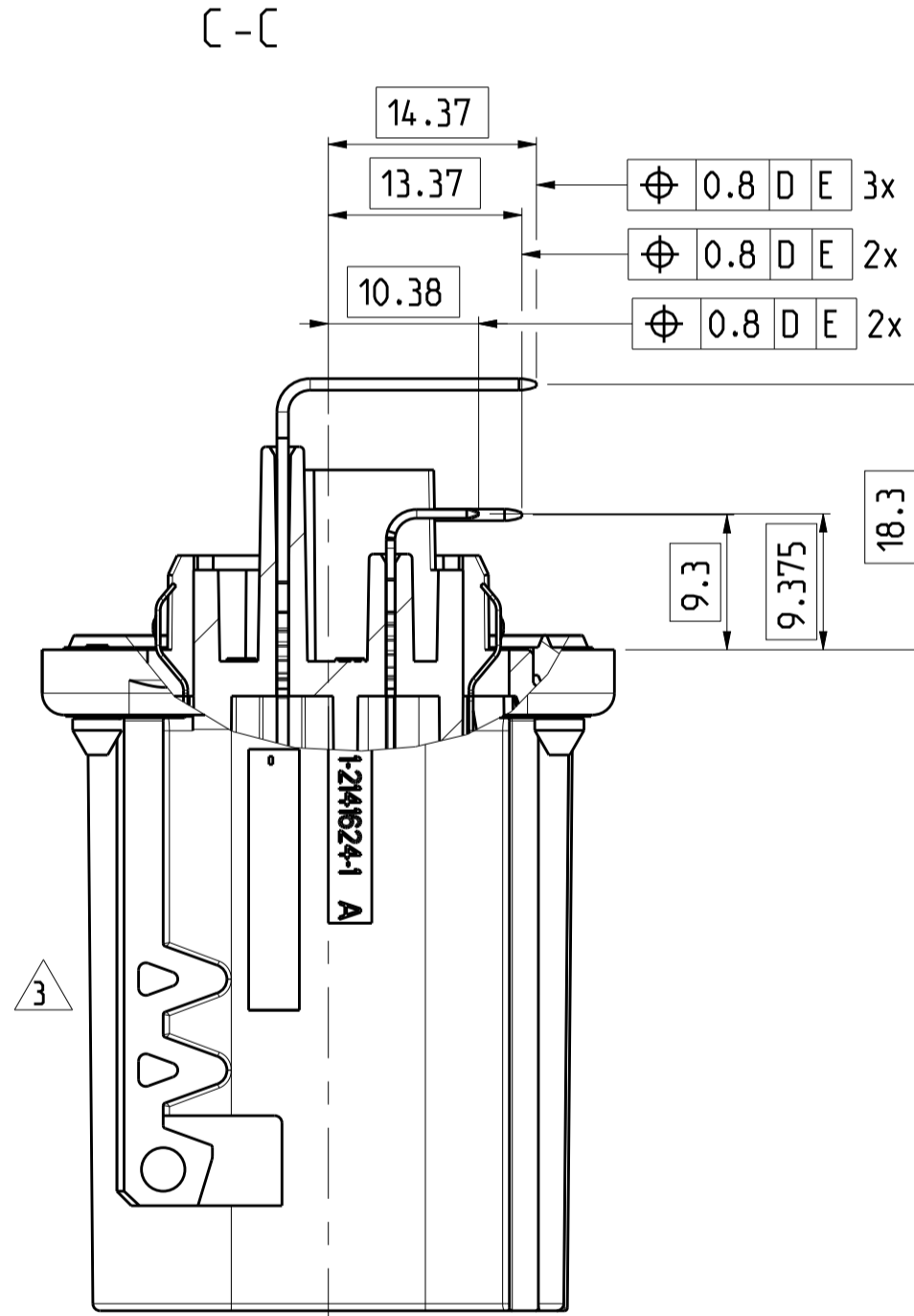
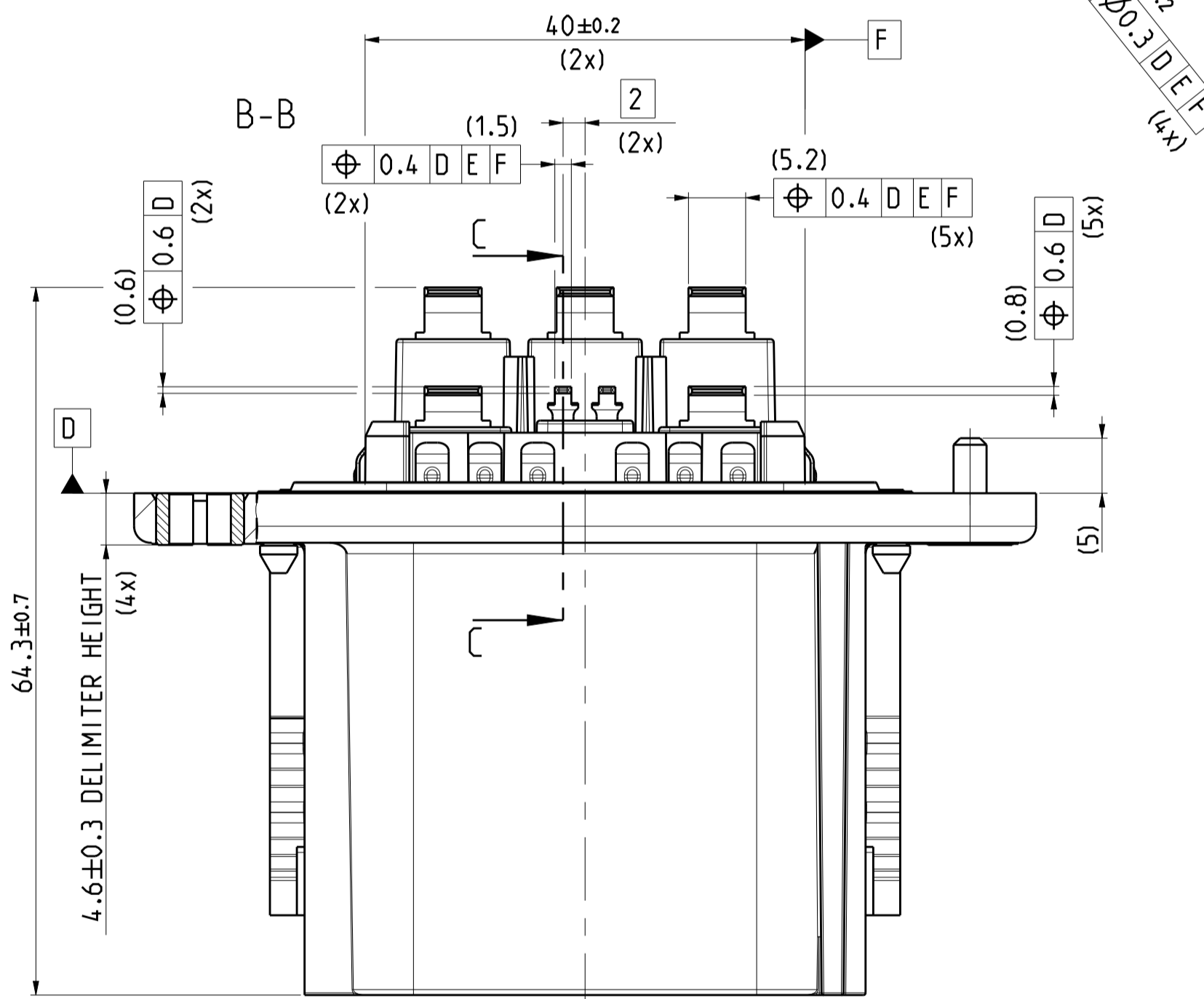
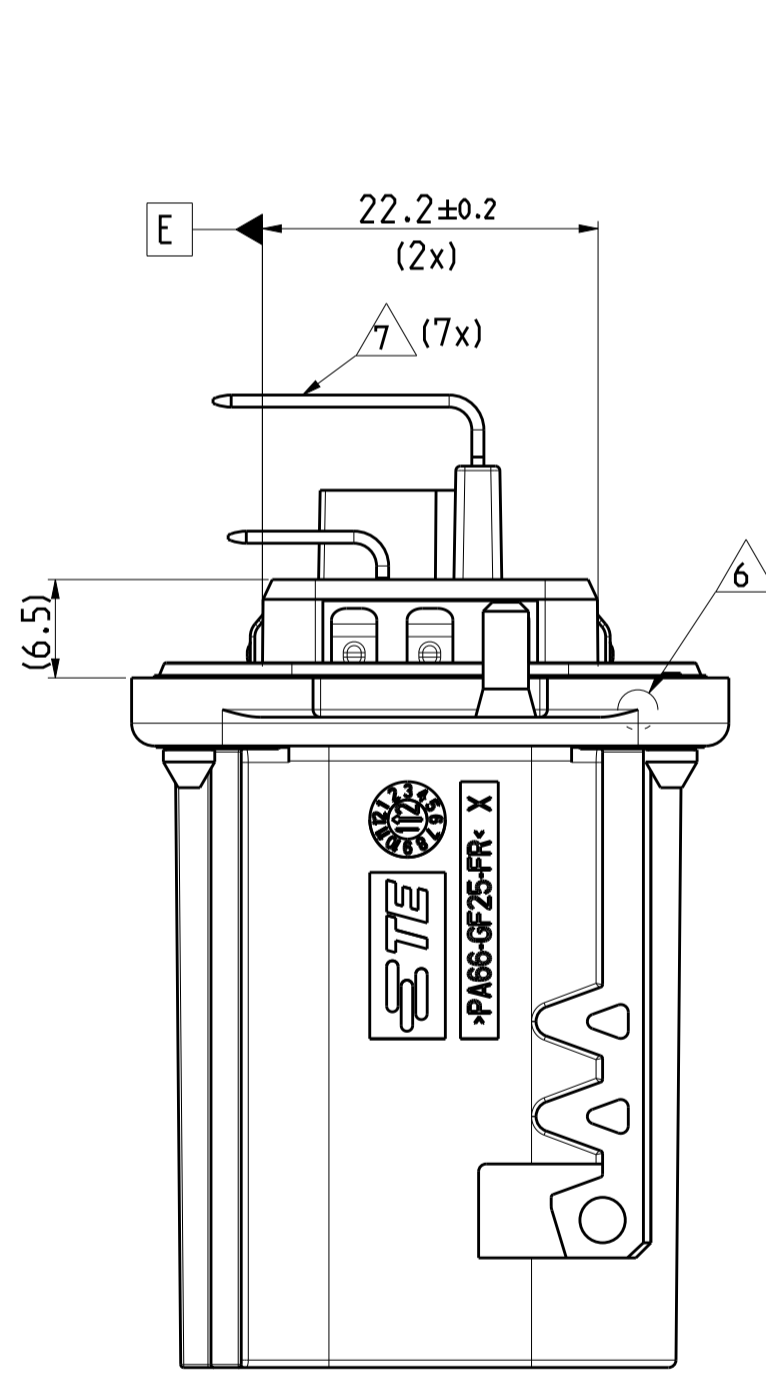
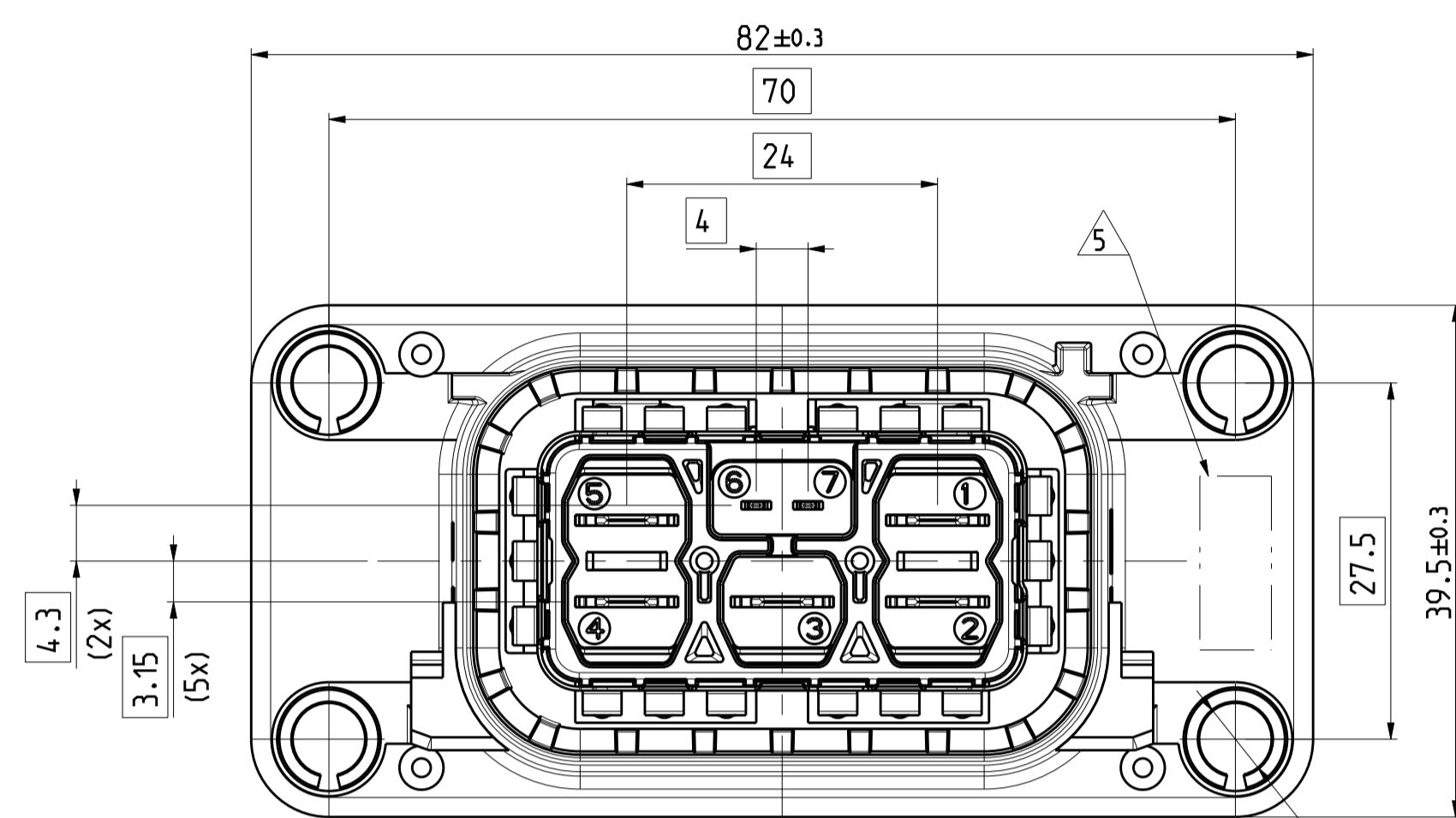
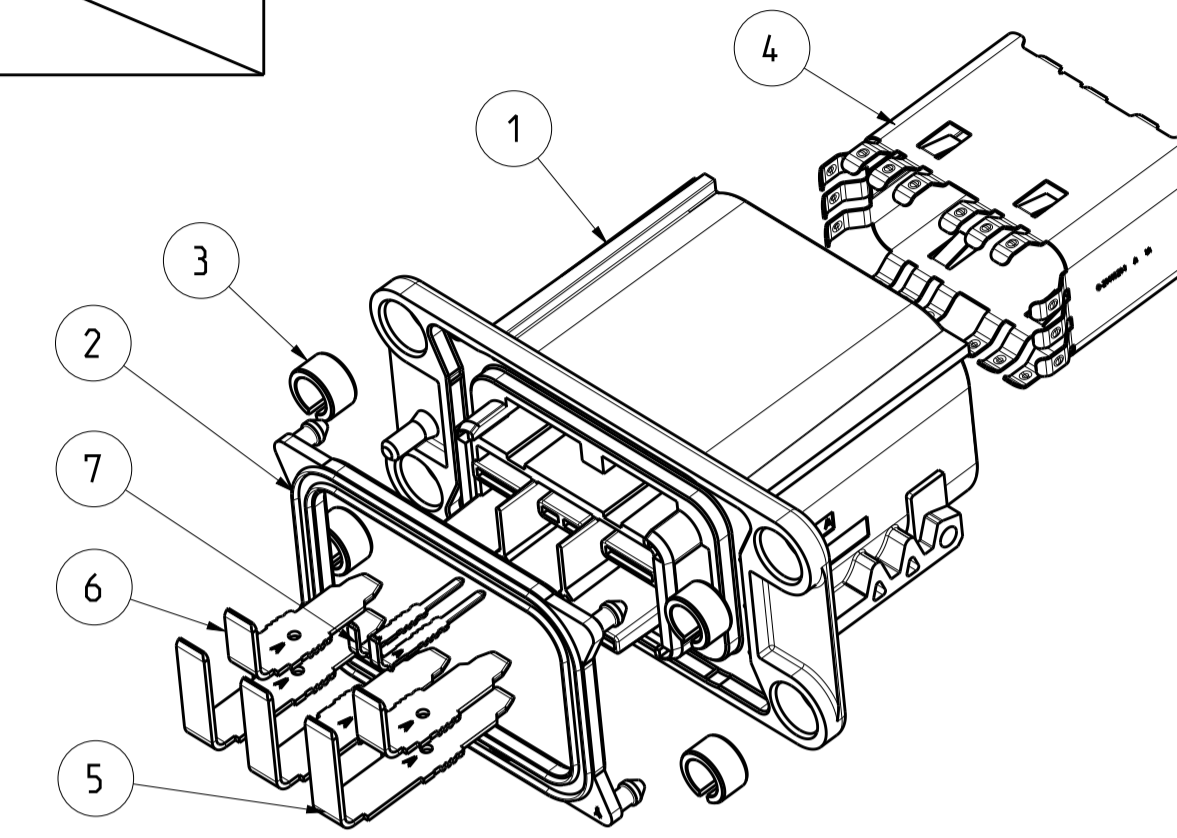
P/N 0-2141619-1
- CODE A -



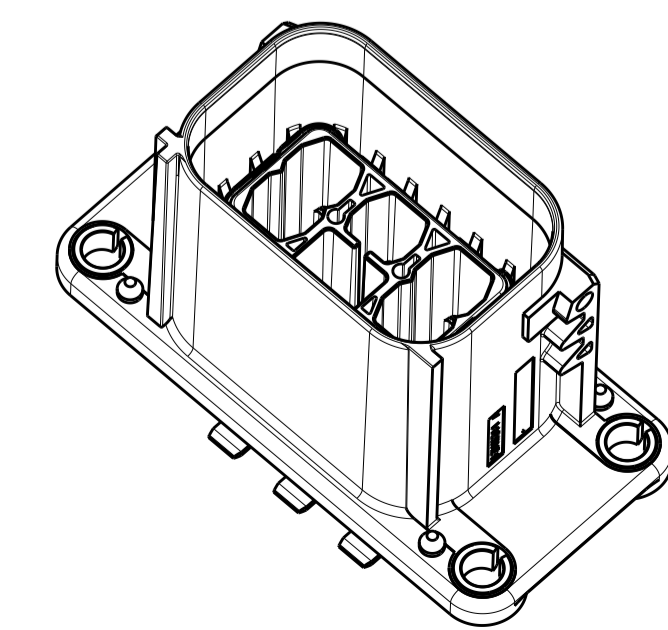
P/N 0-2141619-2
- CODE B -



P/N 0-2141619-1
EXPLODE VIEW
1:1



P/N 0-2141619-1
AS SHOWN
1:1



REVISIONS				
P	LTR	DESCRIPTION	DATE	OWN APVD
A		NEW DRAWING	02APR2015	AHM FW I
B		ITEM 3. DISTANCE SLEEVE REPLACED	31JUL2018	RSC CBU
B1		Added new dash variant 4-2141619-1 (COD. A)	1FEB2019	JJH TSV
C		UPDATED 0-2141619-1 (CODE A)	19JUN2019	SK TSV

- IN CASE OF DISCREPANCIES BETWEEN GERMAN AND ENGLISH TEXT THE GERMAN TEXT IS BINDING
Im Falle von Unterschieden zwischen dem deutschen und dem englischen Text ist der deutsche Text verbindlich
- SUBJECT TO TECHNICAL CHANGES
TE DOESN'T COMPENSATE FOR FOLLOW-UP-COSTS DUE TO TECHNICAL CHANGES
Technische Aenderungen vorbehalten
TE kommt nicht fuer Folgekosten durch Aenderungen auf
- TE PART NUMBER HEADER ASSY
TE-Teilenummer Baugruppe Stiftwanne
- TRAY-PACKAGING IN SHIPPING BOX 0-0973057-2
Trayerpackung im Versandkarton 0-0973057-2
- AREA FOR MARKING OF PRODUCTION DATE
Bereich fuer Kennzeichnung mit Produktionsdatum
- AREA FOR MARKING OF GOOD PIECES
Bereich fuer Gutteilmarkierung
- THIS CONTACT AREA OF TABS TINPLATED
Kontaktbereich der Tabs verzinkt
- PRESS OUT FORCE OF SLEEVES: MIN. 10N
Mindestauspresskraft fuer Buchsen: 10N
- PRESS OUT FORCE FOR TABS 6.3 x 0.8: >=50N (WITH FEED25mm/min)
Ausdruckkraft der 6.3 x 0.8 Tabs: >=50N (mit Vorschub 25mm/min)
- PRESS OUT FORCE FOR TABS 1.2 x 0.6: >=30N (WITH FEED25mm/min)
Ausdruckkraft der 1.2 x 0.6 Tabs: >=30N (mit Vorschub 25mm/min)
- MAX ALLOWABLE PARTICLE SIZE ACC. VDA BAND 19: 0.5mm
Max. zulaessige Partikelgrosse gemaess VDA Band 19: 0.5mm

SPECIFICATIONS Spezifikationen		
MATING CONNECTOR: HV Connector HVA630-5p Gegenstecker: HV Stecker HVA630-5p	114-94114-1	
INTERFACE DRAWING HVA630-5p Schnittstellenzeichnung HVA630-5p	114-94099	
INTERFACE DRAWING, ADAPTER PLATE, HVA630-5p Ausfuehrungsvorschrift, Aufnahmeplatte, HVA630-5p	114-94279	
PRODUCT-SPEC. Produktspezifikation	108-94235	
APPLICATION-SPEC. MATING CONNECTOR Verarbeitungsspezifikation Gegenstecker	114-94114	

REV	DESCRIPTION	MATERIAL	SURFACE/COLOR	ITEM Pos.
2	TAB 1.2 x 0.6mm	CuSn	Sn OVER Ni / Ag OVER Ni	10
3	TAB 6.3/5.2 x 0.8	CuSn	Sn OVER Ni / Ag OVER Ni	9
2	TAB 6.3 x 0.8mm kurz	CuSn	Sn OVER Ni / Ag OVER Ni	8
2	TAB 6.3 x 0.8mm Lang	CuSn	Sn OVER Ni / Ag OVER Ni	7
2	TAB 6.3 x 0.8mm kurz	CuSn	Sn OVER Ni / Ag OVER Ni	6
3	TAB 6.3 x 0.8mm Lang	CuSn	Sn OVER Ni / Ag OVER Ni	5
1	EMC SHIELD FOR 5+2 POS HV CONNECTOR	CuNiSi	Ag OVER Ni	4
4	COMPRESSION DELIMITER	STEEL Stahl	ZnNi PLATED ZnNi Beschichtung	3
1	SEAL FOR 5+2 POS. HV CONNECTOR	SILIKON	WHITE	2
1	SEAL FOR 5+2 POS. HV CONNECTOR	SILIKON	BLACK	2
1	HEADER FOR 5+2 POS. HV CONNECTOR CODE A	PA66-GF25-FR	ORANGE SIMILAR RAL2003	1
1	HEADER FOR 5+2 POS. HV CONNECTOR CODE B	PA66-GF25-FR	ORANGE SIMILAR RAL2003	1
1	HEADER FOR 5+2 POS. HV CONNECTOR CODE A	PA66-GF25-FR	ORANGE SIMILAR RAL2003	1

THIS DRAWING IS A CONTROLLED DOCUMENT. DIMENSIONING AND TOLERANCING PER GPS (ISO STANDARDS) UNLESS OTHERWISE SPECIFIED.

DATE: 02APR2015
DRAWN: Aravind H M
CHK: F. Wittrock
APVD: D. Weyrauch

NAME: HEADER ASSY, HV CONNECTOR, 5 POS
PRODUCT SPEC: PA66-GF25-FR
APPLICATION SPEC: -

SIZE: A1
CAGE CODE: 00779
DRAWING NO: 0-2141619-1
SHEET: 1 OF 3
SCALE: 2:1

MATERIAL: -
WEIGHT: -
CUSTOMER DRAWING: -

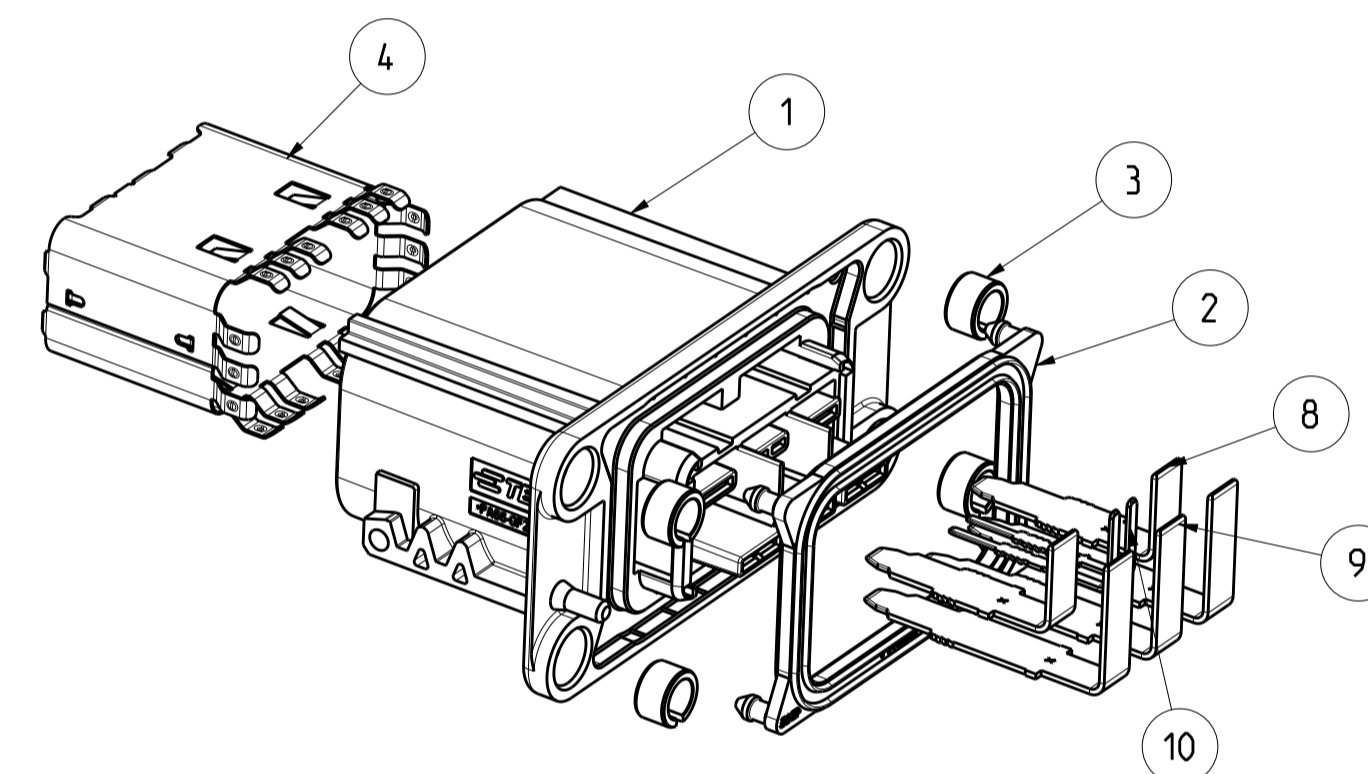
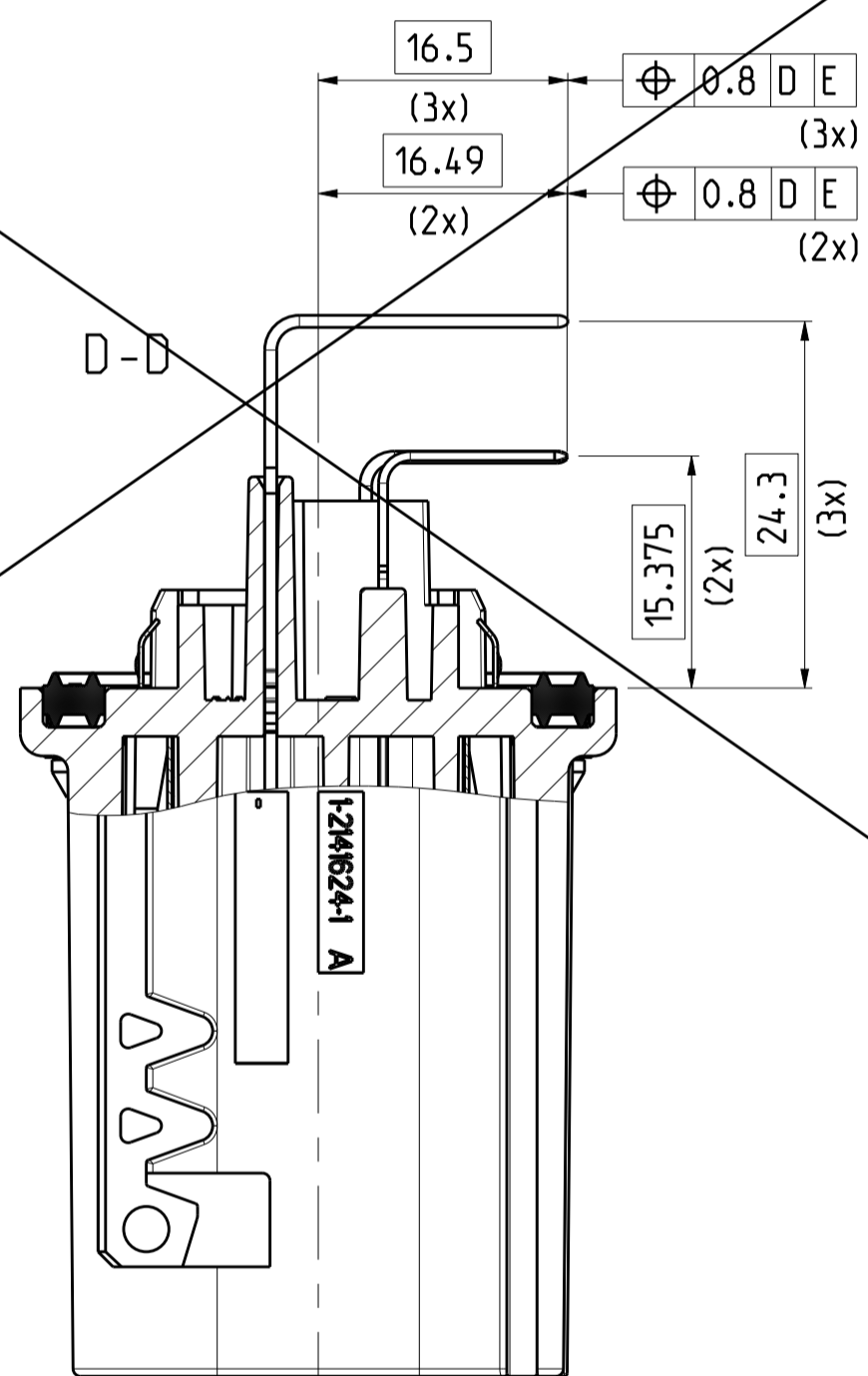
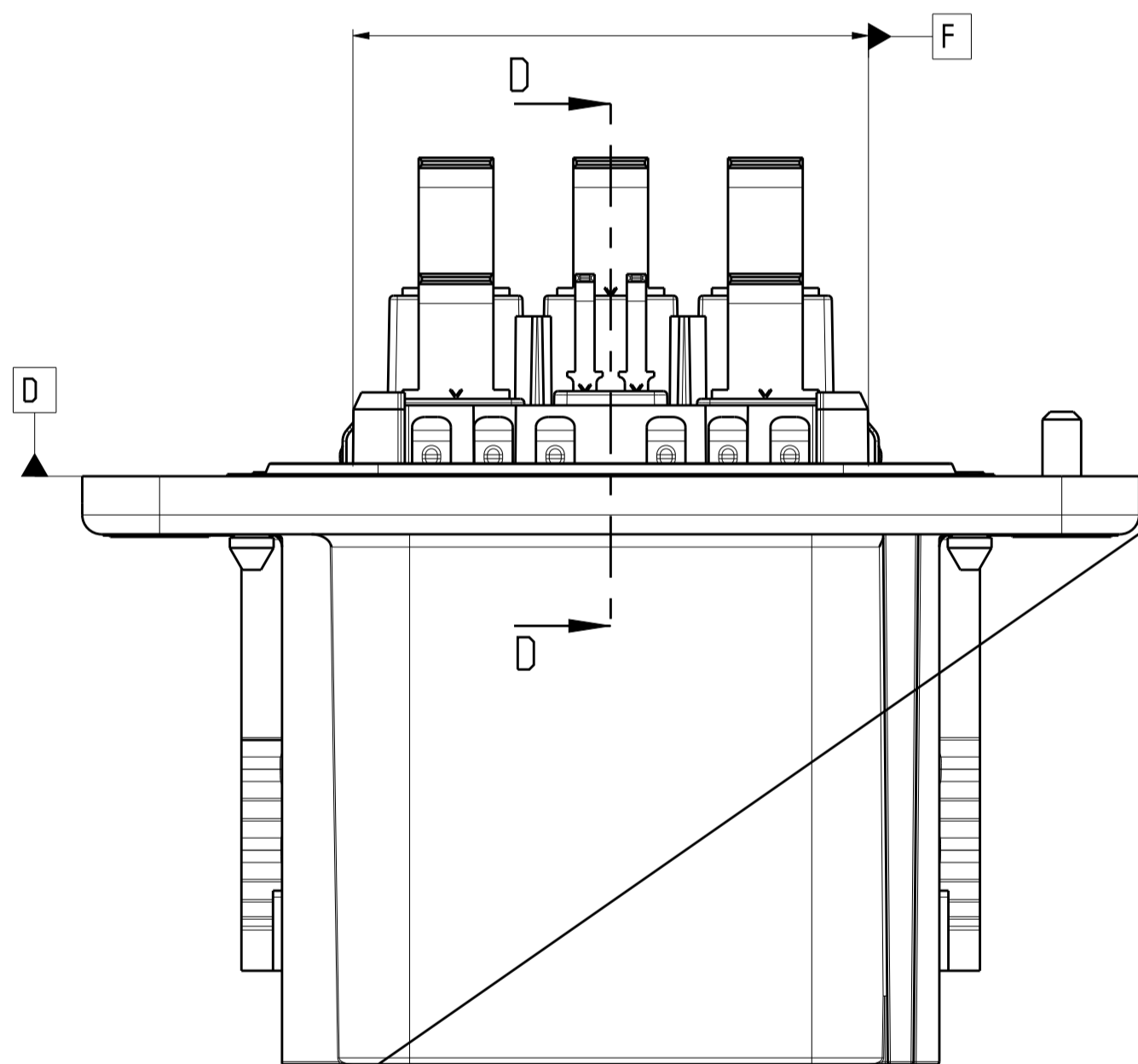
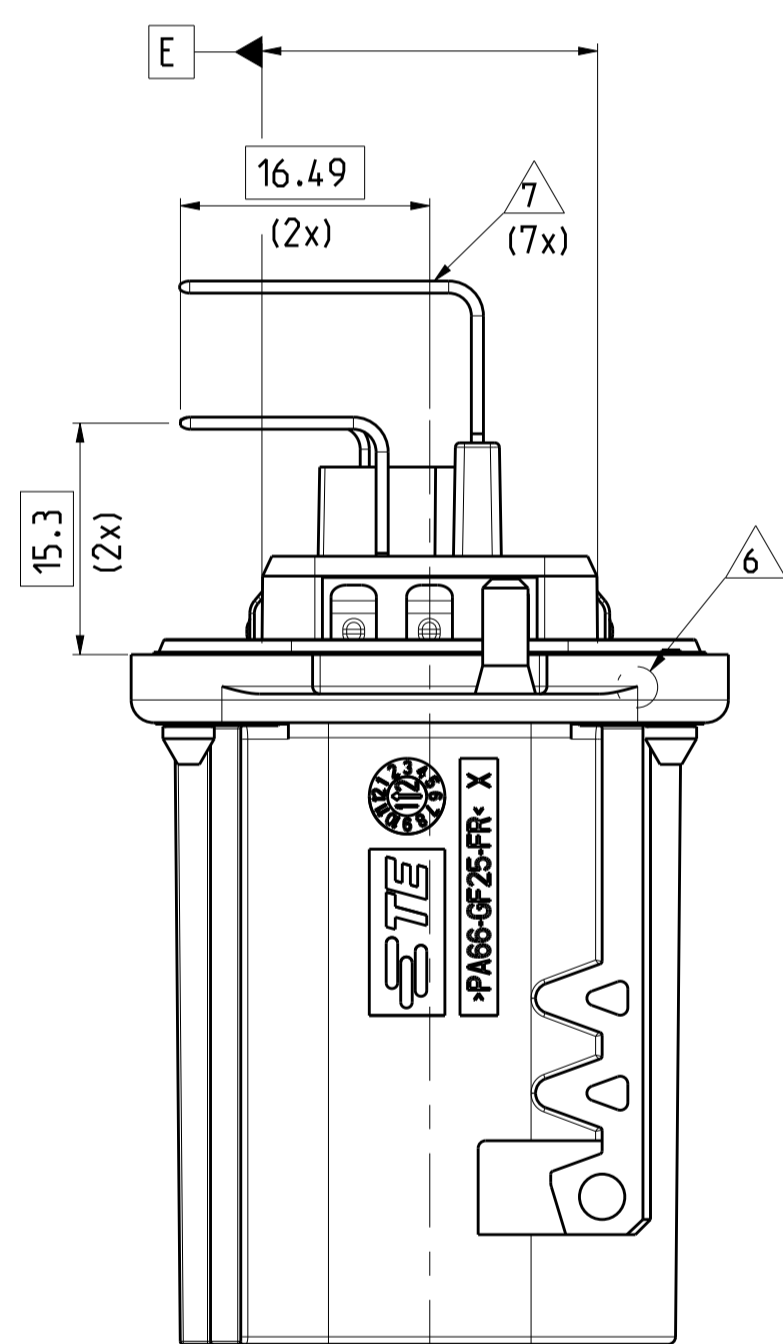
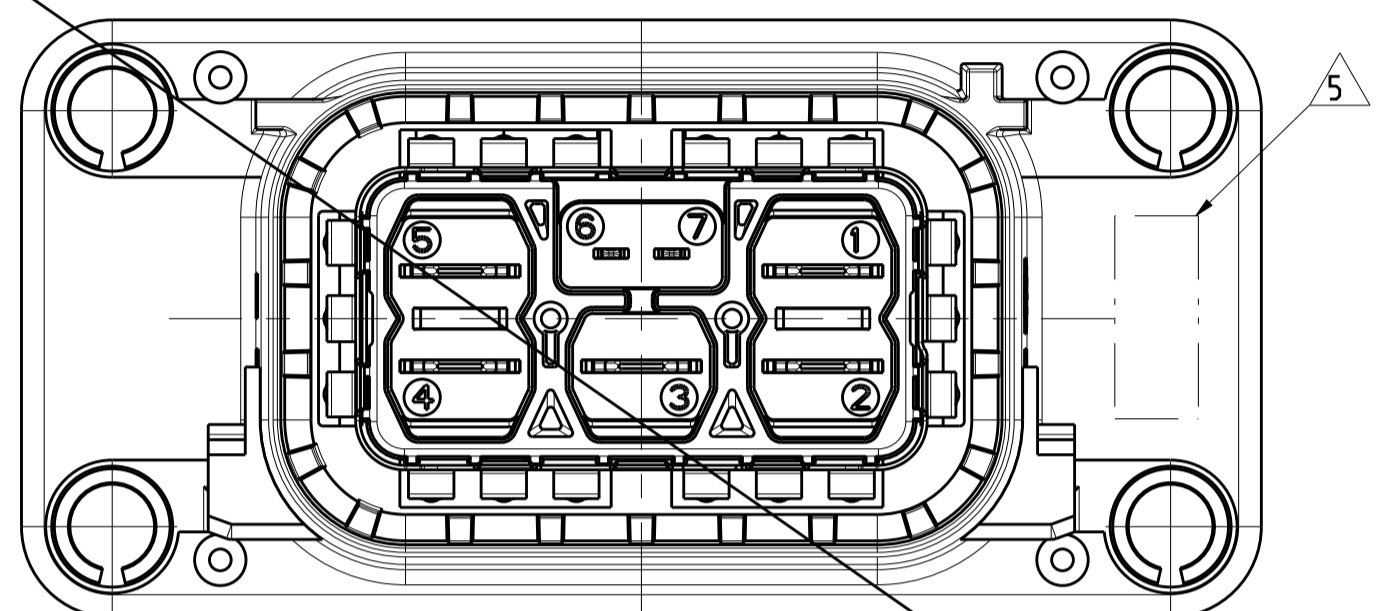
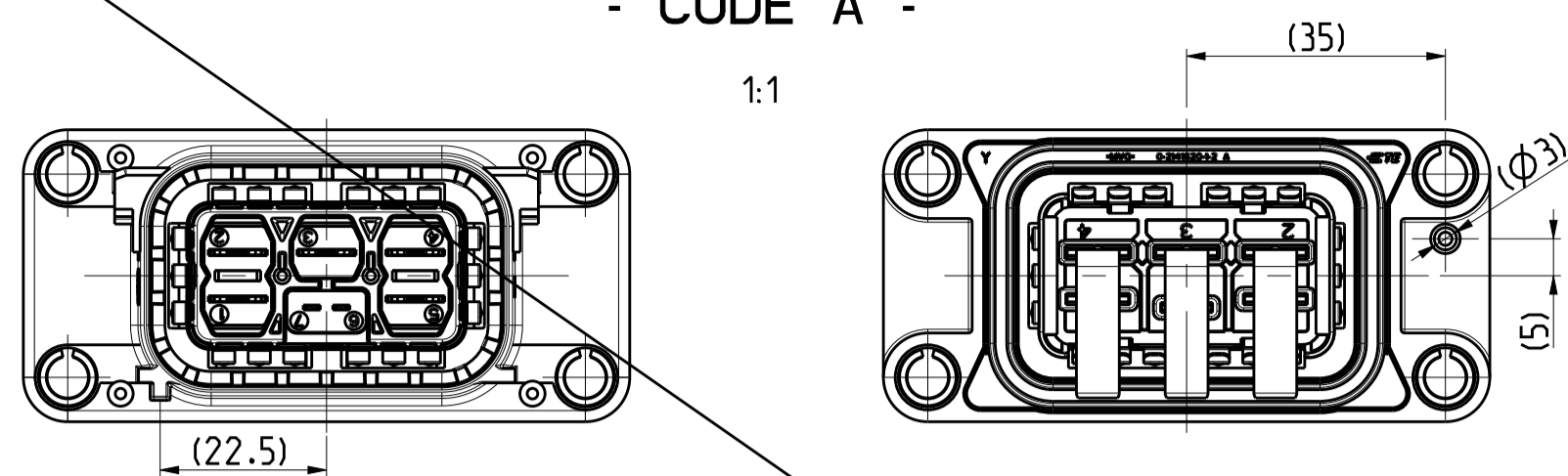
RESTRICTED TO: -

P/N 4-2141619-1
- CODE A -

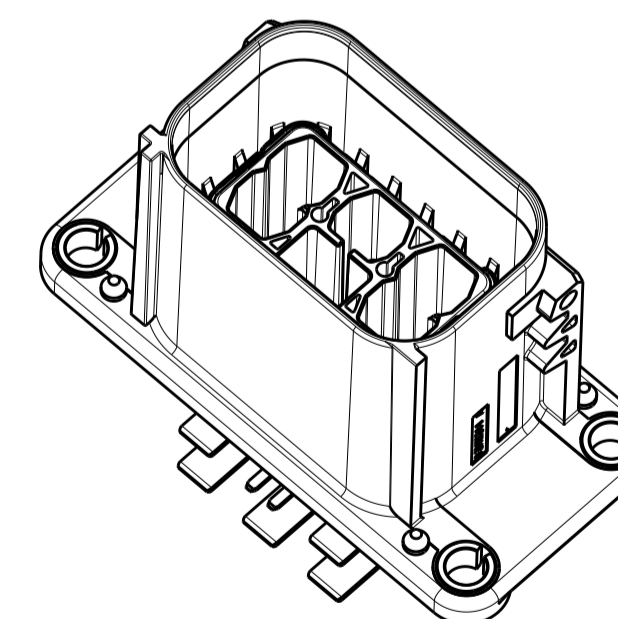
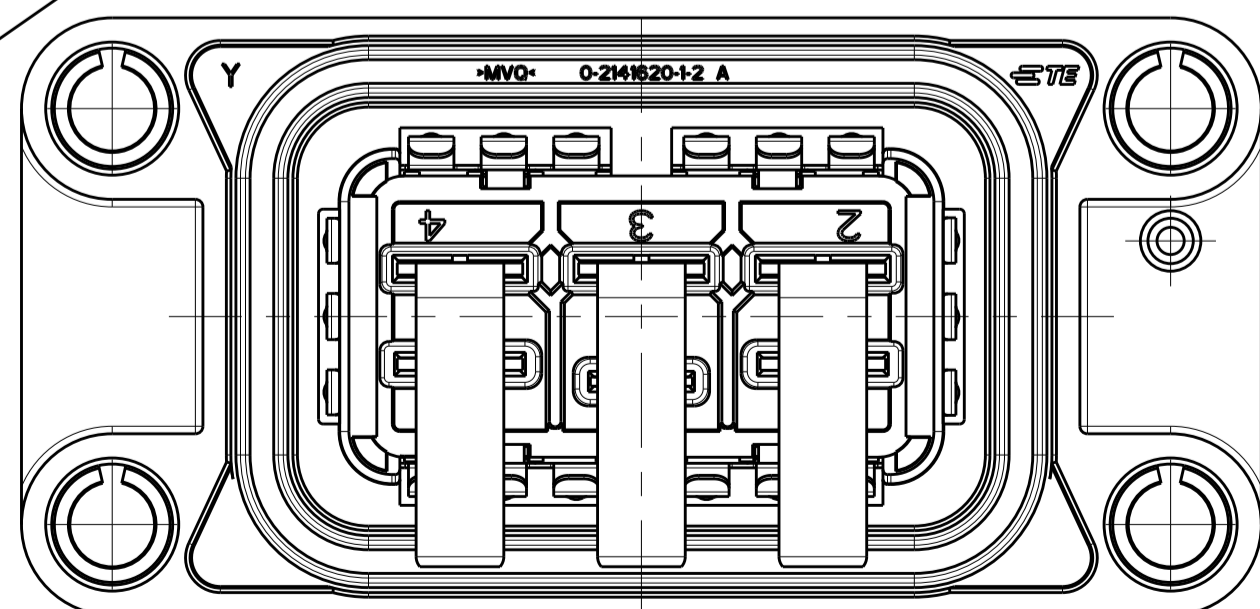
1:1

FOR NOTES AND MISSING DIMENSIONS
REFER SHEET 1 OF 3

REVISIONS				
P	LTR	DESCRIPTION	DATE	APVD
-		SEE SHEET 1	-	-



P/N 4-2141619-1
EXPLODE VIEW
1:1

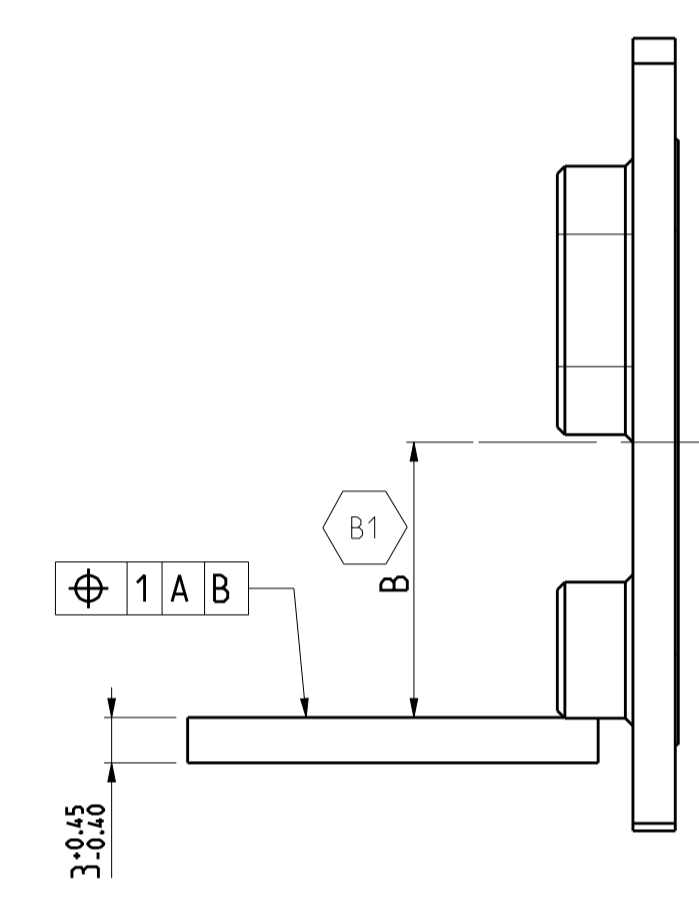
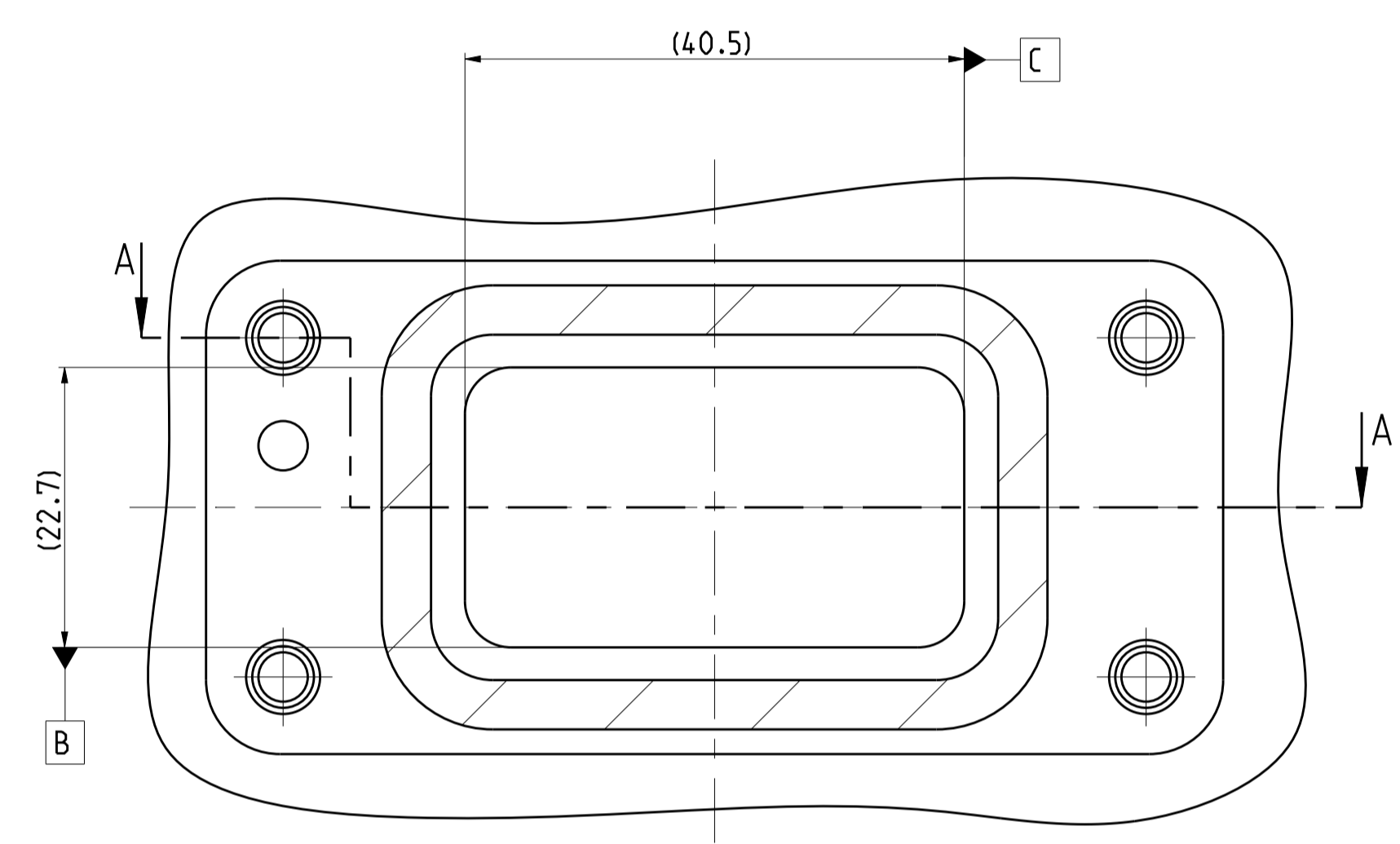


P/N 4-2141619-1
AS SHOWN
1:1

THIS DRAWING IS A CONTROLLED DOCUMENT. DIMENSIONING AND TOLERANCING PER GPS (ISO STANDARDS)		DWG: 02APR2015 Aravind H M F. Wittrock		TE Connectivity	
DIMENSIONS: mm		TOLERANCES UNLESS OTHERWISE SPECIFIED:		NAME: HEADER ASSY, HV CONNECTOR, 5 POS	
0 PLC ± 0.15		DIN ISO		PRODUCT SPEC: Stiftwanne Baugruppe, HV-Stecker, 5polig	
1 PLC ± 0.25		2768-mk		APPLICATION SPEC: -	
2 PLC ± 0.30		-		SIZE: A1	
3 PLC ± 0.40		-		CAGE CODE: 00779	
4 PLC ± 0.50		-		DRAWING NO: C-2141619	
ANGLES: -		FINISH: -		SHEET 2 OF 3	
MATERIAL: -		WEIGHT: -		SCALE: 2:1	
-		-		REV C	
-		-		CUSTOMER DRAWING	

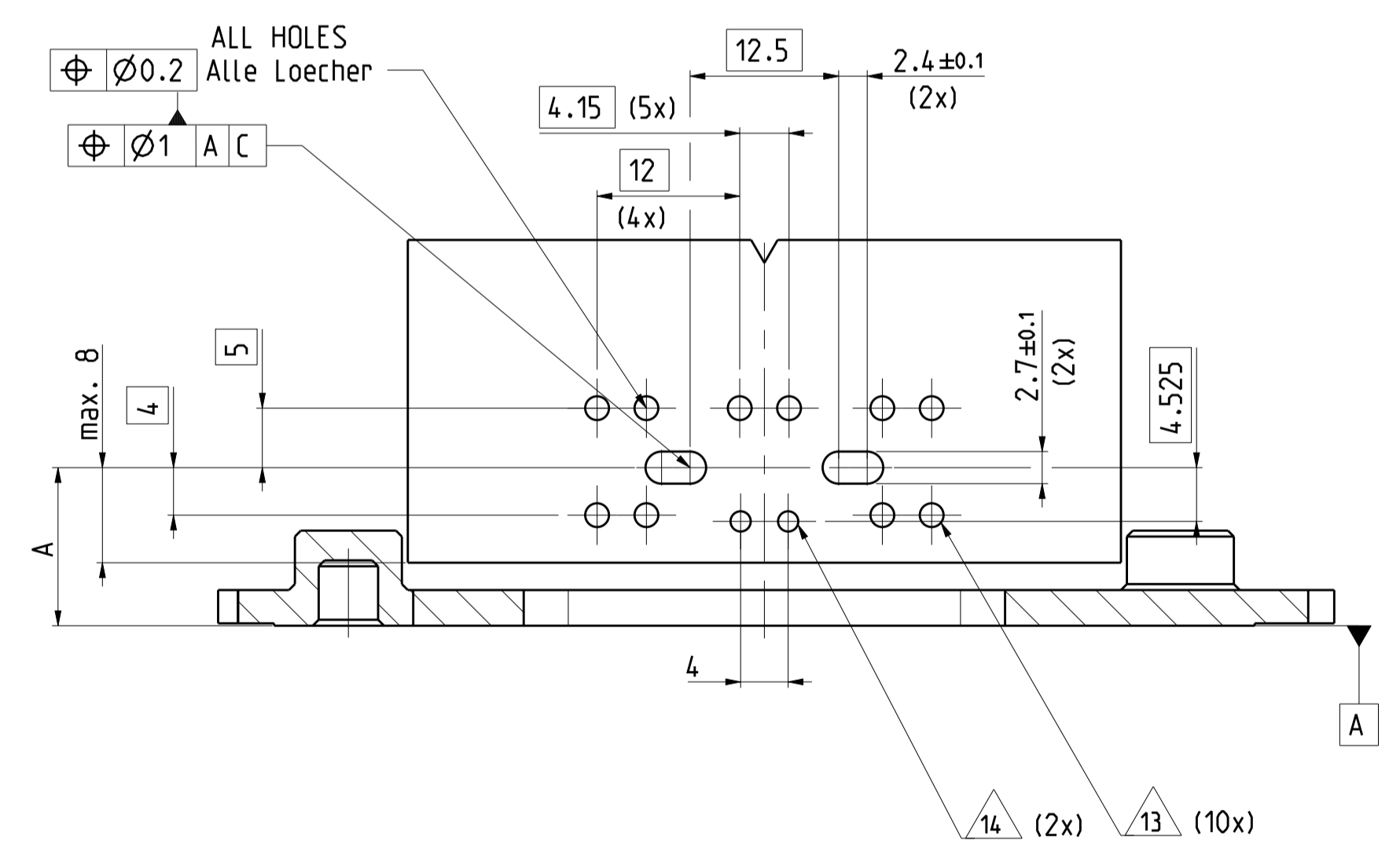
REVISIONS				
P	LTR	DESCRIPTION	DATE	APVD
-		SEE SHEET 1	-	-

INTERFACE ADAPTER PLATE ACC. 114-94279
 Ausfuehrungsvorschrift Aufnahmeplatte nach 114-94279
 DESIGN FOR USE OF CENTRE PLATE 0-2141629-1
 Konstruktion sieht Verwendung von Zentrierkappe 0-2141629-1 vor



- 12 SUBJECT TO TECHNICAL CHANGES.
 TE DOESN'T COMPENSATE FOR FOLLOW-UP-COSTS DUE TO TECHNICAL CHANGES
 Technische Aenderungen vorbehalten.
 TE kommt nicht fuer Folgekosten durch Aenderungen auf.
- ⚠ POSITIONING OF HOLES FOR USAGE OF TERMINALS PN 1719102-1
 Positionsvermessung der Bohrungen fuer Einsatz von Loetkontakten PN 1719102-1 fuer HV Power
- ⚠ POSITIONING OF HOLES FOR USAGE OF TERMINALS PN 1670208-2
 Positionsvermessung der Bohrungen fuer Einsatz von Loetkontakten PN 1670208-2 fuer HV Interlock

A-A



20.4	19.3	4-2141619-1	2
18.2	13.3	0-2141619-1	1
B	A	PART NO	ITEM Pos.

DIESE ZEICHNUNG IST EIN KONTROLLIERTES DOKUMENT. BEMASSUNGEN UND TOLERANZEN GEMAESS GPS (ISO STANDARDS).		THIS DRAWING IS A CONTROLLED DOCUMENT. DIMENSIONING AND TOLERANCING PER GPS (ISO STANDARDS).		DWG: 02APR2015 CHK: Aravind H M APVD: F. Wittfoeck																																		
DIMENSIONS: mm		TOLERANCES UNLESS OTHERWISE SPECIFIED:		NAME: Aravind H M PRODUCT SPEC: F. Wittfoeck APPLICATION SPEC: -																																		
<table border="1"> <tr><td>0 PLC</td><td>±</td><td>DIN ISO</td></tr> <tr><td>1 PLC</td><td>±</td><td>2768-mK</td></tr> <tr><td>2 PLC</td><td>±</td><td>-</td></tr> <tr><td>3 PLC</td><td>±</td><td>-</td></tr> <tr><td>4 PLC</td><td>±</td><td>-</td></tr> </table>		0 PLC	±	DIN ISO	1 PLC	±	2768-mK	2 PLC	±	-	3 PLC	±	-	4 PLC	±	-	<table border="1"> <tr><td>ANGLES</td><td>±</td><td>-</td></tr> <tr><td>FINISH</td><td>±</td><td>-</td></tr> </table>		ANGLES	±	-	FINISH	±	-	<table border="1"> <tr><td>SIZE</td><td>A1</td><td>CAGE CODE</td><td>00779</td><td>DRAWING NO</td><td>C=2141619</td></tr> <tr><td>RESTRICTED TO</td><td colspan="5">CUSTOMER DRAWING</td></tr> </table>		SIZE	A1	CAGE CODE	00779	DRAWING NO	C=2141619	RESTRICTED TO	CUSTOMER DRAWING				
0 PLC	±	DIN ISO																																				
1 PLC	±	2768-mK																																				
2 PLC	±	-																																				
3 PLC	±	-																																				
4 PLC	±	-																																				
ANGLES	±	-																																				
FINISH	±	-																																				
SIZE	A1	CAGE CODE	00779	DRAWING NO	C=2141619																																	
RESTRICTED TO	CUSTOMER DRAWING																																					
MATERIAL: -		WEIGHT: -		SCALE: 1:1																																		
4805 (3/13)		Downloaded from Arrow.com		SHEET 3 OF 3 REV C																																		