

1:1 Flux Coupled Transformer 5 – 100MHz

MABACT0019 V1

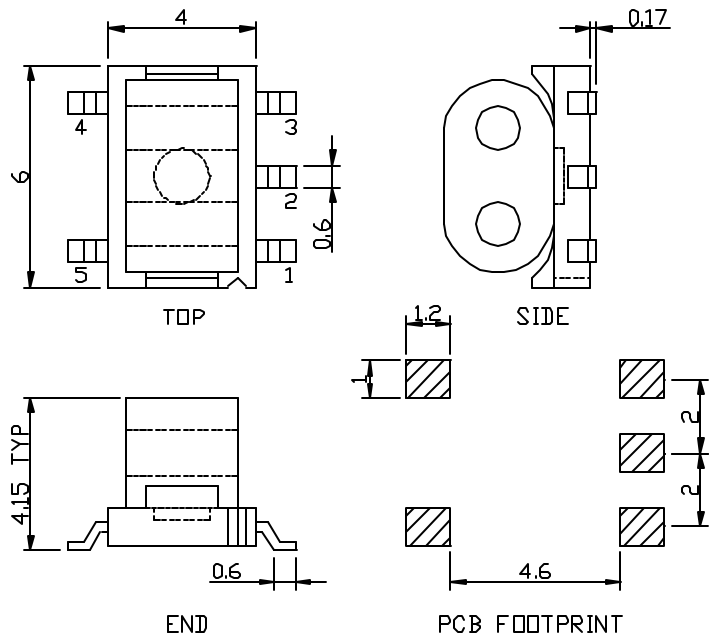
Features

- Surface mount
- 1:1 Impedance
- CT on Secondary

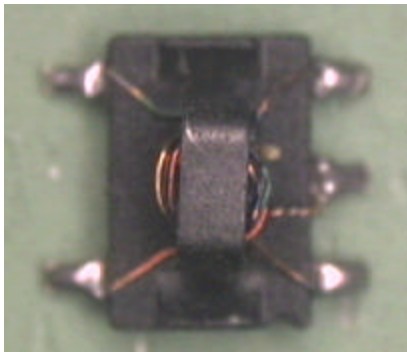
Description

M/A Com's MABACT0019 is a 1:1 RF flux coupled transformer in a low cost, surface mount package. Ideally suited for high volume applications.

SM-250-5 Case Style



Dimensions in inches [mm] Tolerance: .xx ± .02, .xxx ± .010



Electrical Specifications @ 25°C, 75 Ohm

Parameter	Test Conditions	Units	Min.	Typ.	Max.
Insertion Loss	5 – 100 MHz	dB	1.0	0.7	–
Amp Balance	5 – 100 MHz	dB	-0.25	0.0	0.25
Phase Balance	5 – 100 MHz	°	176	179.7	184
Input Return Loss	5 – 75 MHz	dB	–	25.2	17
	75 – 100 MHz	dB	–	21.5	15

M/A-COM Inc. and its affiliates reserve the right to make changes to the product(s) or information contained herein without notice. M/A-COM makes no warranty, representation or guarantee regarding the suitability of its products for any particular purpose, nor does M/A-COM assume any liability whatsoever arising out of the use.

- North America Tel: 800.366.2266 / Fax: 978.366.2266
- Europe Tel: 44.1908.574.200 / Fax: 44.1908.574.300
- Asia/Pacific Tel: 81.44.844.8296 / Fax: 81.44.844.8298

1:1 Flux Coupled Transformer 5 – 100MHz

MABACT0019

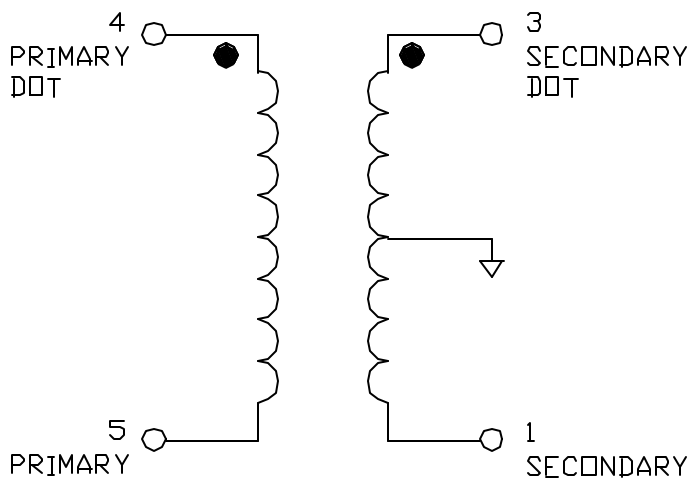
Pin Configuration

Function	Pin Number
Primary	5
Primary dot	4
Primary CT	-
Secondary	1
Secondary dot	3
Secondary CT	2
Ground	-

Absolute Maximum Ratings ¹

	Absolute Maximum
RF Power	250 mW
DC Current	30 mA
Operating/Storage Temperature	-20° C to +70° C

Schematic



¹ Exceeding one or a combination of these settings may cause permanent damage to the unit

M/A-COM Inc. and its affiliates reserve the right to make changes to the product(s) or information contained herein without notice. M/A-COM makes no warranty, representation or guarantee regarding the suitability of its products for any particular purpose, nor does M/A-COM assume any liability whatsoever arising out of the use.

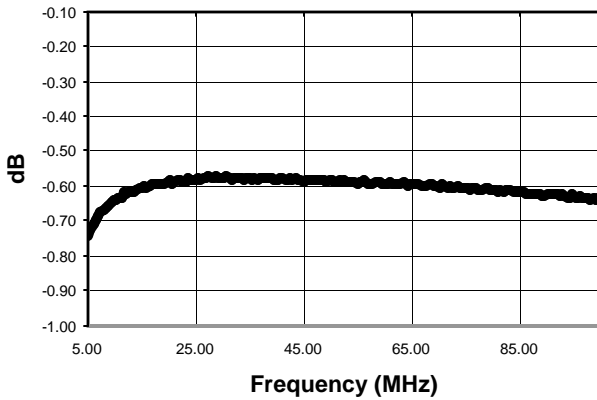
- North America Tel: 800.366.2266 / Fax: 978.366.2266
- Europe Tel: 44.1908.574.200 / Fax: 44.1908.574.300
- Asia/Pacific Tel: 81.44.844.8296 / Fax: 81.44.844.8298

1:1 Flux Coupled Transformer 5 – 100MHz

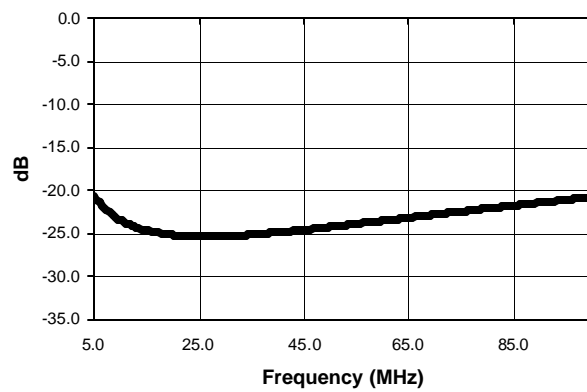
MABACT0019

Typical Performance Curves @ +25° C, 75 Ohm

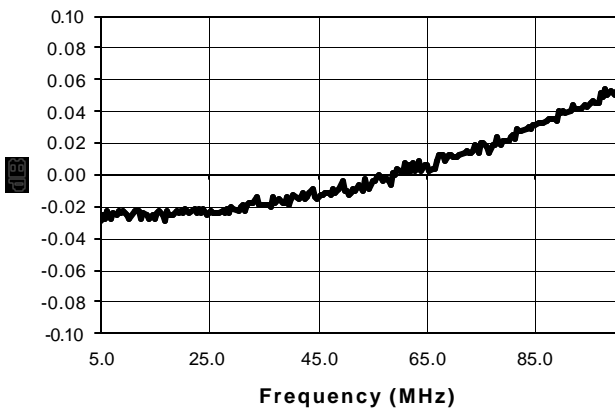
Insertion Loss



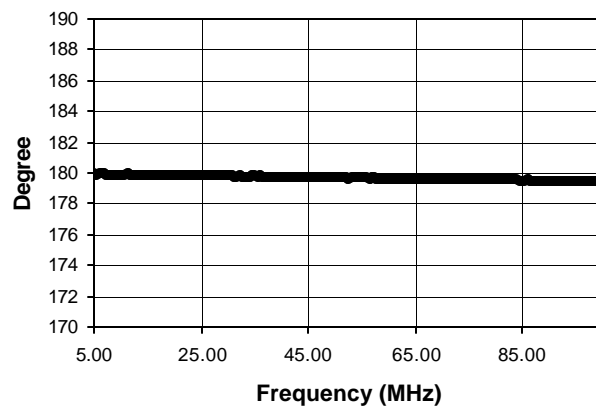
Input Return Loss



Amplitude Unbalance



Phase Unbalance



M/A-COM Inc. and its affiliates reserve the right to make changes to the product(s) or information contained herein without notice. M/A-COM makes no warranty, representation or guarantee regarding the suitability of its products for any particular purpose, nor does M/A-COM assume any liability whatsoever arising out of the use.

- North America Tel: 800.366.2266 / Fax: 978.366.2266
- Europe Tel: 44.1908.574.200 / Fax: 44.1908.574.300
- Asia/Pacific Tel: 81.44.844.8296 / Fax: 81.44.844.8298