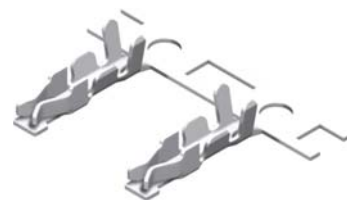
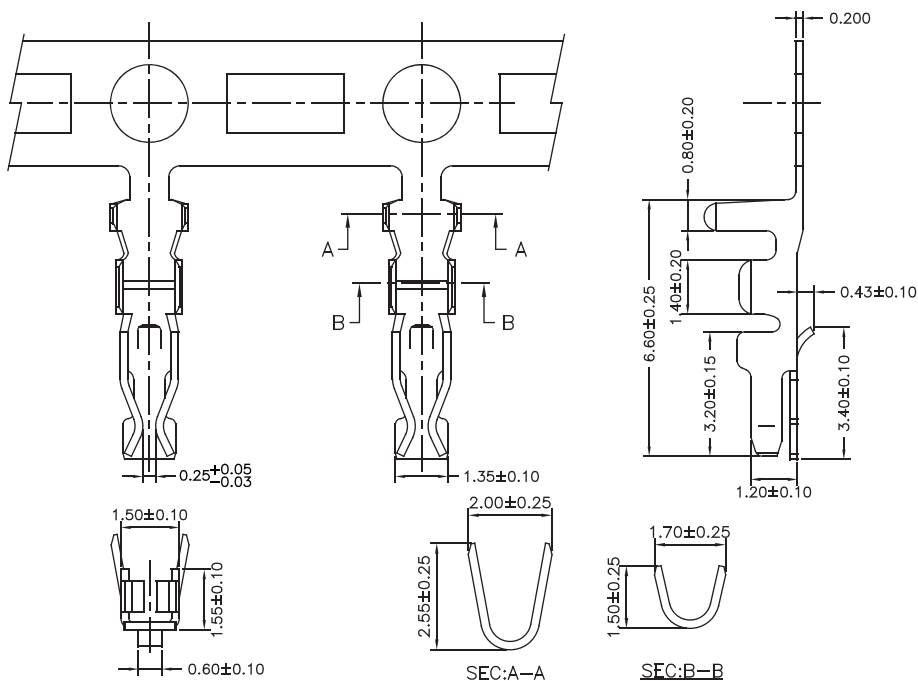
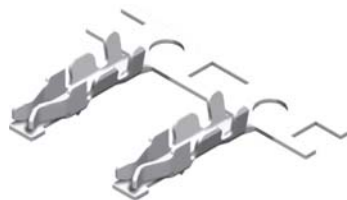
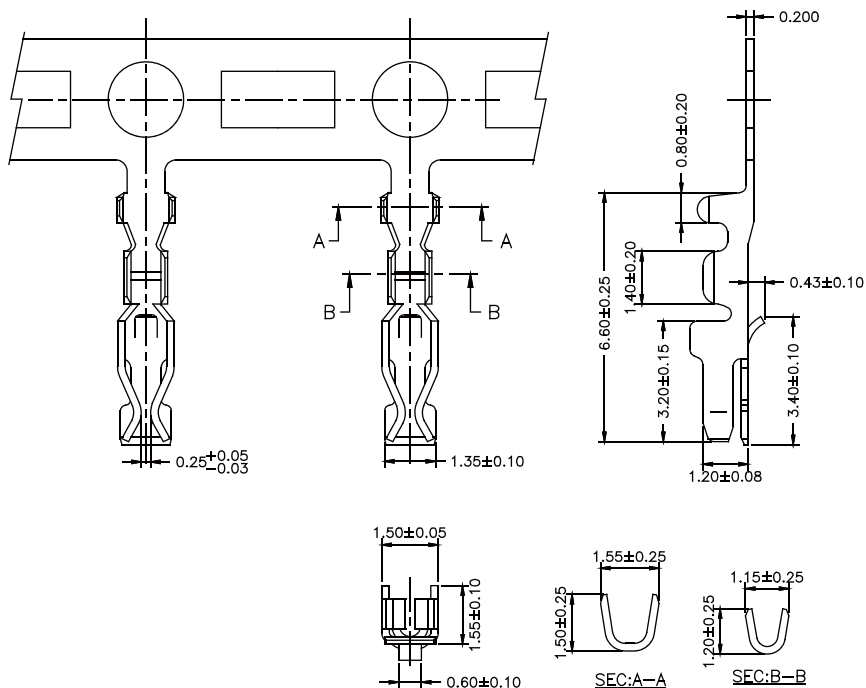


2.0mm Terminal



Part No.:2004-T-L

Part No	Wire Range	Insulation O.D.	Material	Finish
2004-TTP-L	AWG#22-#28	1.50mm(max)	Phosphor Bronze	Tin Plated
2004-TGP-L	AWG#22-#28	1.50mm(max)	Phosphor Bronze	Gold Plated



Part No.:2004-T-A-L

Part No	Wire Range	Insulation O.D.	Material	Finish
2004-T-A-L	AWG#28-#32	0.90mm(max)	Phosphor Bronze	Tin Plated