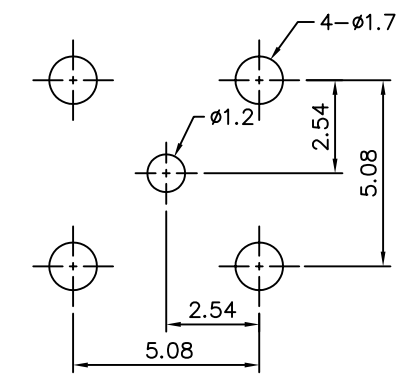
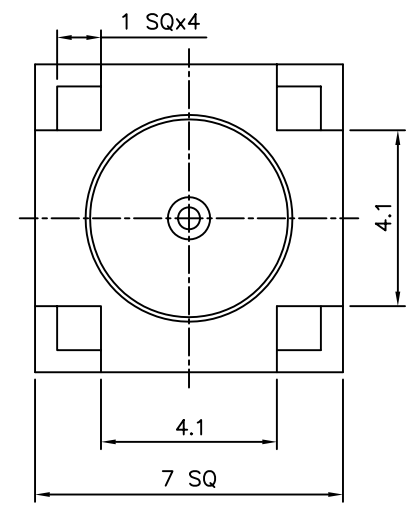
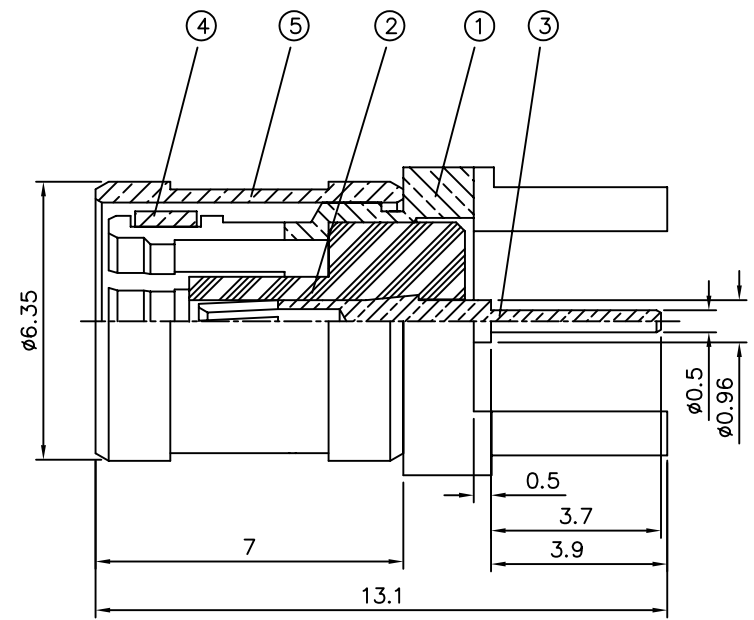


Coaxial Contact Impedance: 50 Ohms



P.C.B. Layout

- Notes: Finish (Plating Thickness In Micro-Inches)
1. Brass Per QQ-B-626
 2. Gold PL 3 Min. Over Nickel PL 70 Min. Thick Over Copper Strike
 3. Gold PL 30 Min. Over Nickel PL 70 Min. Thick Over Copper Strike
 4. Teflon MIL-P-19468
 5. Beryllium Copper PER QQ-C-530

No.	Description	Material	Finish	Q'ty	
5	Shell		Note 1	Note 2	1
4	C Ring		Note 5	Note	1
3	Contact Pin		Note 5	Note 3	1
2	Insulator		Note 4	White	1
1	Body		Note 1	Note 2	1

AUK A MEMBER OF AUK GROUP
太聯事業股份有限公司
AUK CONTRACTORS CO., LTD.

CATEGORY		APPROVED BY		UNLESS OTHERWISE SPECIFIED TOLERANCES ARE $0.5 \sim 36$ ± 0.2 $> 30 \sim 120$ ± 0.4 $> 120 \sim 315$ ± 0.6 $> 315 \sim 1000$ ± 1.6 ANG. $\pm 5'$				
PART No. SMB-PD50		MEI						
DRAWING No. SMB-PD50		CHECKED BY BECKY						
SCALE NONE		DRAWING BY TCF						
REV.	BO	UNIT mm	NO. REV.	BO	NEW RELEASE	BECKY	10/08/2005	
					REVISIONS	CHK	DATE	