

**SLC-P2 Series**  
**LC CONNECTOR PLUG**  
( for  $\varnothing$  2.0 mm )

**TECHNICAL SPECIFICATIONS**

**Seiko Instruments Inc.**

Network Components Business

8, Nakase 1-Chome

Mihama-ku, Chiba-shi, Chiba-ken

261-8507 JAPAN

Telephone: +81-43-211-1211

Facsimile: +81-43-211-8039

SLC-P2 Series LC CONNECTOR PLUG ( for  $\varnothing$  2.0 mm )  
TECHNICAL SPECIFICATIONS

Document Number [ACD-25B4-01](#)

[ACD-25B4-01](#)      June 2002

Copyright 2002 by **Seiko Instruments Inc.**  
All right reserved.

The information contained herein shall not be reproduced or disclosed to any third party without the express written consent of **SII**.

The Specifications contained herein are subject to change without notice.

**SII** is a trademark of Seiko Instruments Inc.

Please address any questions, comments, and suggestions to:

**Seiko Instruments USA Inc.**

Electronics Components Division  
2990 West Lomita Boulevard  
Torrance, CA 90505, U.S.A.  
Phone:            +1-310-517-7780  
Facsimile:       +1-310-517-7792

**Seiko Instruments (H.K.) Ltd.**

Sales Department  
4th & 5th Floor, Wyler Center 2  
200 Tai Lin Pai Road, Kwai Chung  
N.T., Kowloon, Hong Kong  
Phone:            +852-2421-8611  
Facsimile:       +852-2480-5479

**Seiko Instruments Singapore pte. Ltd.**

Component Sales Department  
2, Marsiling Lane,  
Singapore, 739144, Singapore  
Phone:            +65-269-1370  
Facsimile:       +65-269-9729

**Seiko Instruments GmbH**

OFC Division  
Siemensstraße 9b  
D-63263 Neu-Isenburg, Germany  
Phone:            +49-6102-297-0  
Facsimile:       +49-6102-297-211

**Seiko Instruments Taiwan Inc.**

Sales Department  
4F, No.40, Sec. 2, Min Chuan E. Rd.,  
Taipei 104, Taiwan, R.O.C.  
Phone:            +886-2-2563-5001  
Facsimile:       +886-2-2521-9519

## TABLE OF CONTENTS

Section		Page
1	PROVISION	1
1.1	Application limit	1
2	PARTS NUMBER	1
3	GENERAL SPECIFICATIONS	2
3.1	Parts and Materials	2
3.2	Physical Dimensions	2
3.3	General Tolerances	2
4	PACKING	2

### Table

Table 1	Parts Number	1
Table 2-1	Parts and Materials	2
Table 2-2	Parts and Materials of Main Body	2
Table 3	General Tolerance	2

### Figure

Figure 1	SLC-P2 Connector Plug	3
Figure 2	Main Body	4
Figure 3 to 5	Parts Dimensions	5



1 PROVISION

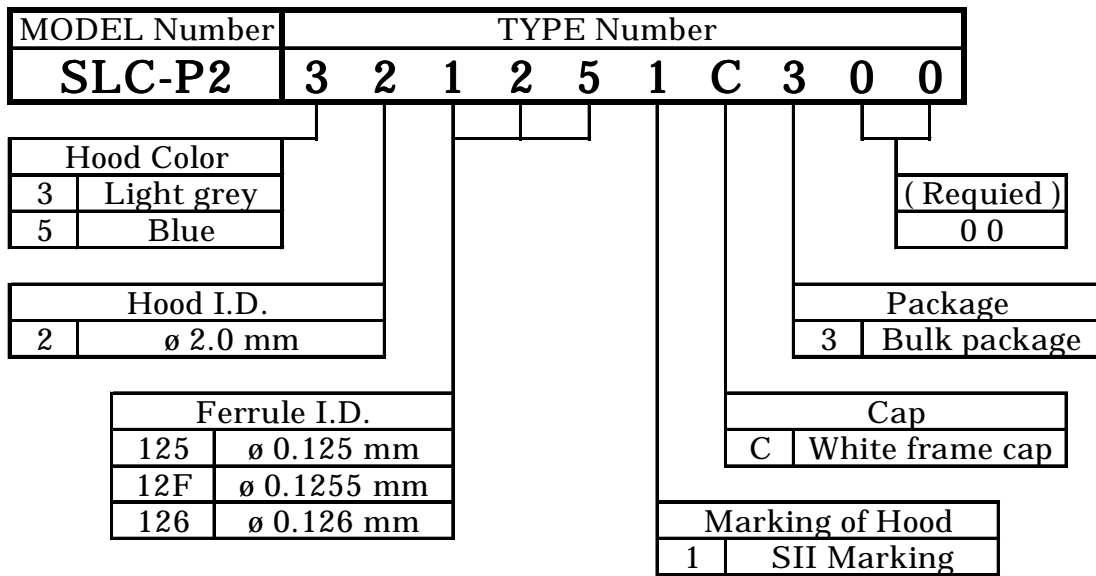
1.1 Application Limit

These specifications apply to the SLC-P2 LC connector plug for  $\varnothing$  2.0 mm supplied by SII.

2 PARTS NUMBER

Parts number of the connector plug is shown in Table 1.

Table 1 Parts Number



### 3 GENERAL SPECIFICATIONS

#### 3.1 Parts and Materials

Parts and the materials are shown in Table 2-1 and 2-2.

Table 2-1 Parts and Materials

No.	Part Name	Qty	Material	Notes
①	Main body	1	See Table 2-2	Sub-assembled
②	Crimping ring	1	Aluminum alloy + Sumitube	Sumitube: White
③	Hood	1	TPE	UL94V-0
⑩	Cap	1	PP	White, UL94V-0

Table 2-2 Parts and Materials of Main Body

No.	Part Name	Qty	Material	Notes
④	Ferrule	1	Zirconia ceramics	-
⑤	Flange	1	Brass	Nickel plating
⑥	Tube	1	TPFE	Clear
⑦	Plug frame	1	PEI	Blue, UL94V-0
⑧	Spring	1	Stainless steel	-
⑨	Stopper	1	PEI + Brass	PEI: Blue, UL94V-0 Brass: Nickel plating

#### 3.2 Physical Dimensions

Figure 1 shows the assembled state of SLC-P2.

Figure 2 shows the Main body dimensions.

Figure 3 to 5 show the parts dimensions.

#### 3.3 General Tolerances

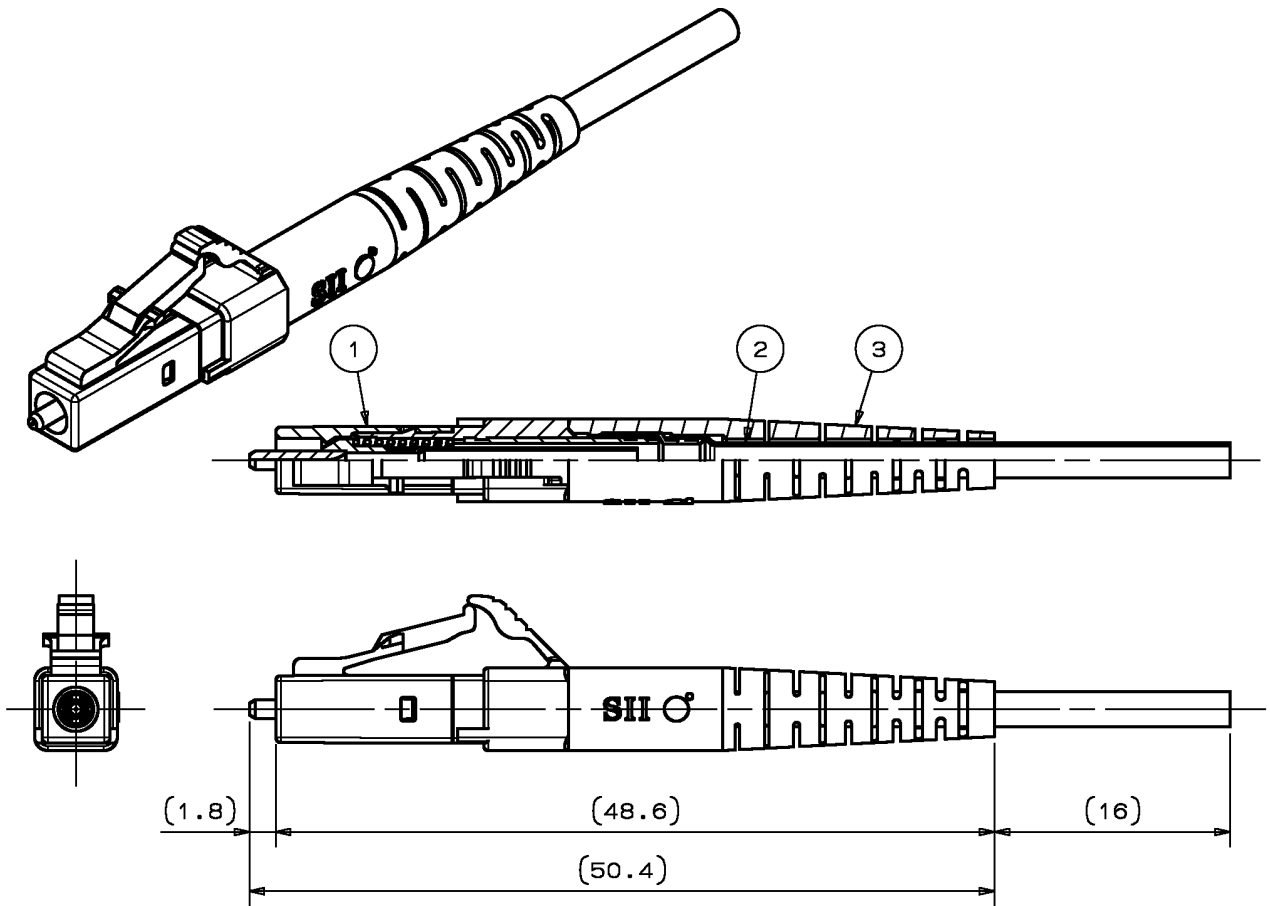
Permissible deviation in dimensions without tolerance indication is in accordance with JIS B 0405 class m, as shown in Table 3.

Table 3 General tolerance (JIS B 0405 class m)

Basic size step [mm]		Permissible deviation [mm]
Over	Under	
0.5	3	±0.1
3	6	±0.1
6	30	±0.2
30	120	±0.3

### 4 PACKING

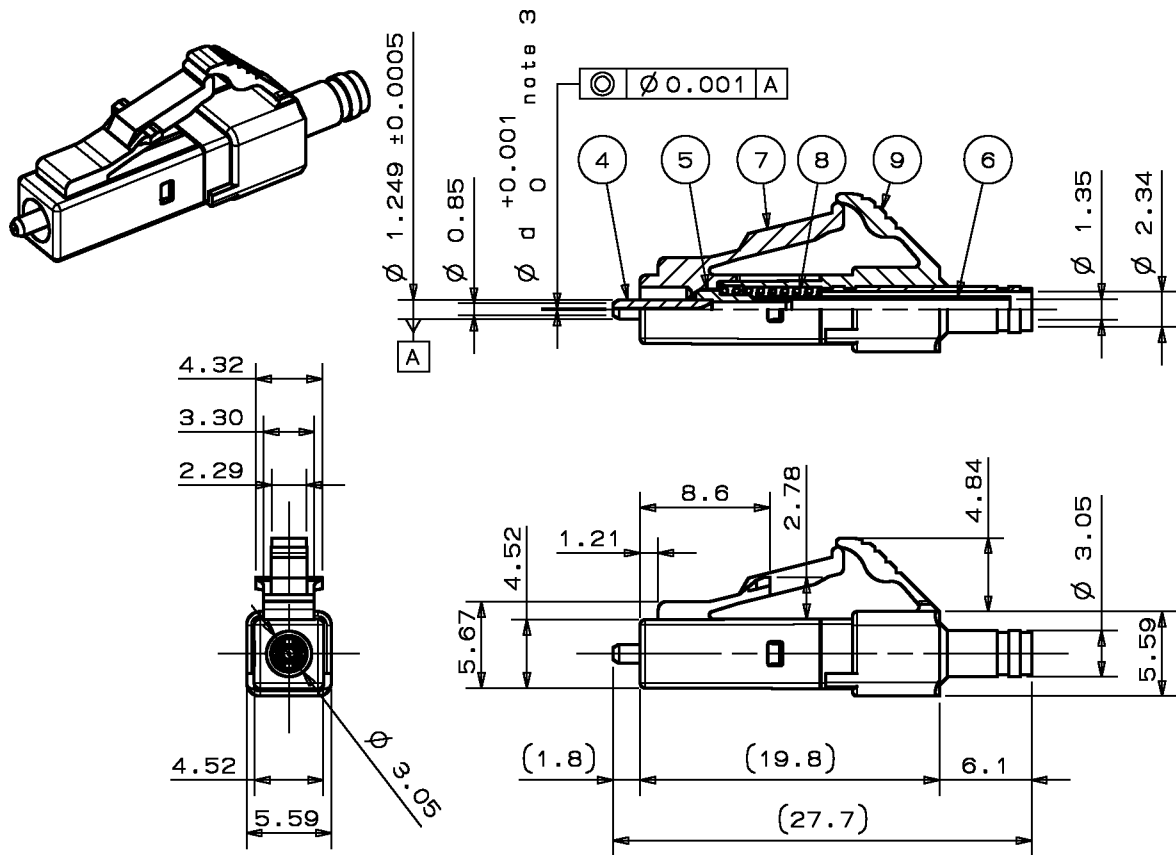
The product is packed to prevent damage during shipment.



note 1: This drawing shows the tentatively assembled condition. In practice, the connector plug is not assembled like this.  
 note 2: This drawing does not include the cap.

Unit: mm

Figure 1 SLC-P2 Connector Plug



note 3: Ferrule hole inner diameter (d) shown in Table 1.

Unit: mm

Figure 2 ① Main Body

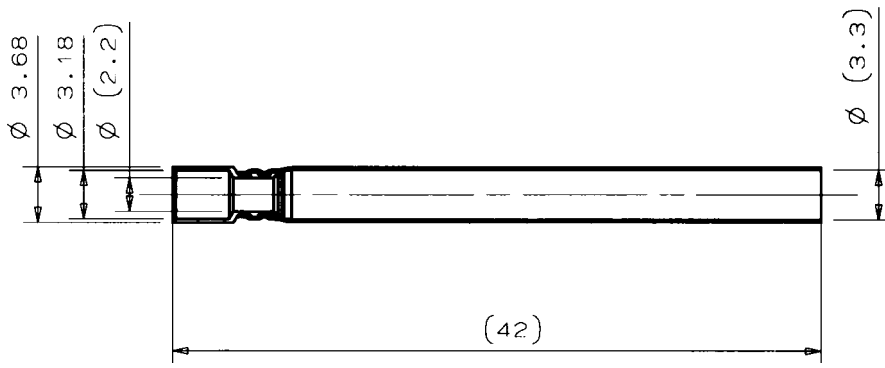


Figure 3 ② Crimping ring

Unit: mm

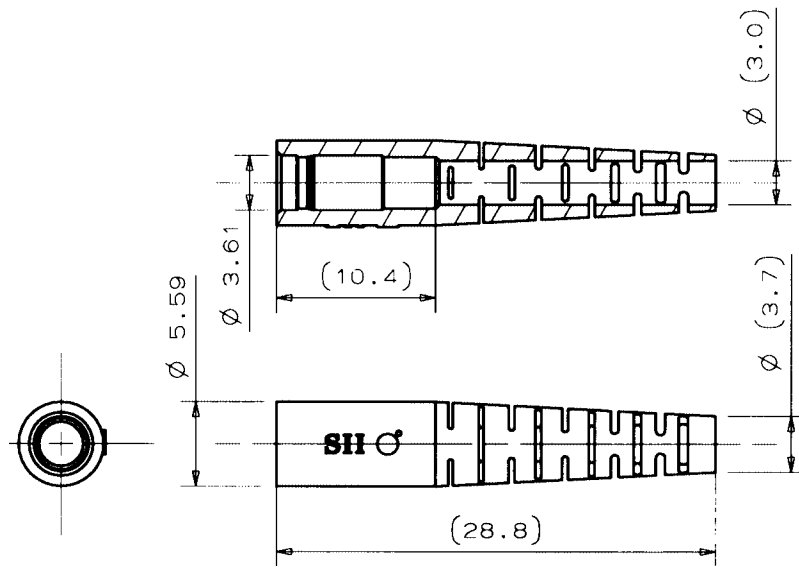


Figure 4 ③ Hood

Unit: mm

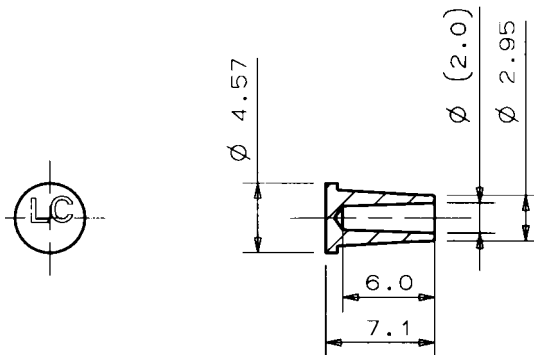


Figure 5 ⑩ Cap

Unit: mm