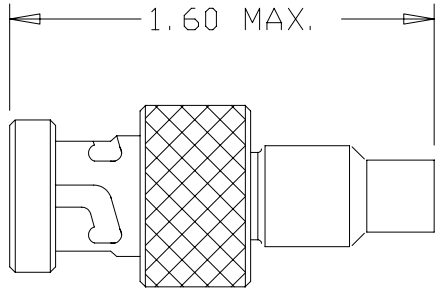
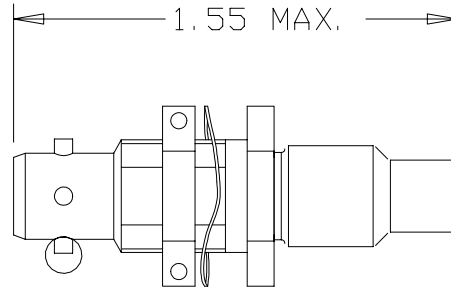


REVISIONS			
LTR	DESCRIPTION	DATE	APPROVED
NC	RELEASED PER E.C.N. T-9690	88 MAR 8	Z. TEMAN
A	RELEASED PER E.C.N. T-15249	90 OCT 30	Z. TEMAN
B	RELEASED PER E.C.N. T-16826		



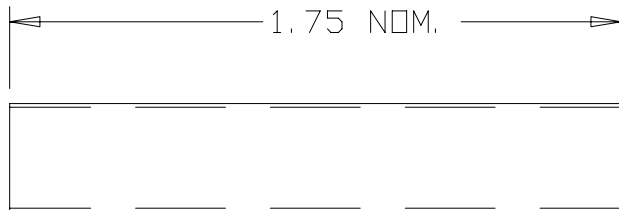
PLUG



JACK

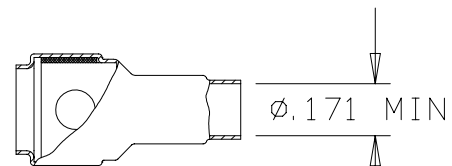
MAX O.A LENGTH AFTER TERMINATION
WITHOUT SUPPLEMENTAL STRAIN RELIEF

CONNECTOR		INTERFACE	
D-621-0045	PLUG	"C"	PER FIGURE 1
D-621-0046	JACK	"C"	PER FIGURE 2
D-621-0047	PLUG	"B"	PER FIGURE 3
D-621-0048	JACK	"B"	PER FIGURE 4
D-621-0049	PLUG	"A"	PER FIGURE 5
D-621-0050	JACK	"A"	PER FIGURE 6
D-621-0051	JACK	"D"	PER FIGURE 8
D-621-0052	PLUG	"D"	PER FIGURE 7



STRAIN RELIEF D-600-0019

If this document is printed it becomes uncontrolled.
Check with the web for latest revision.

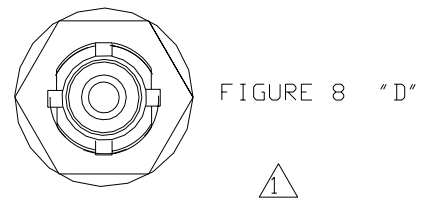
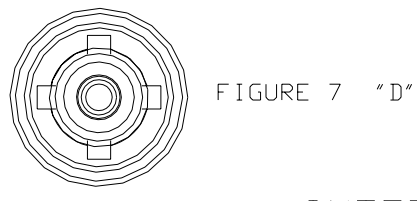
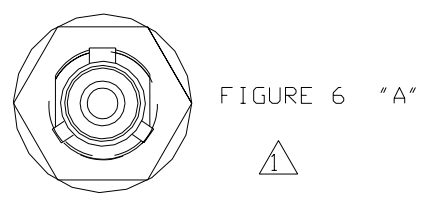
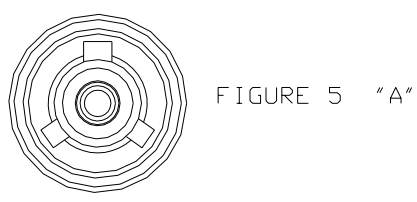
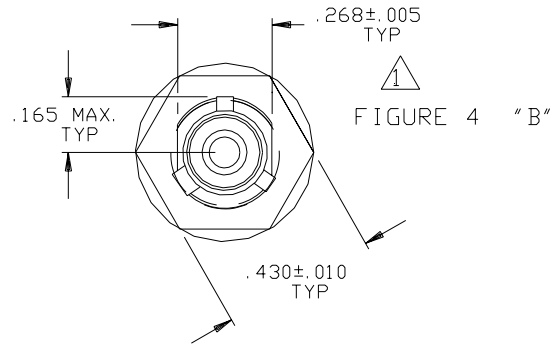
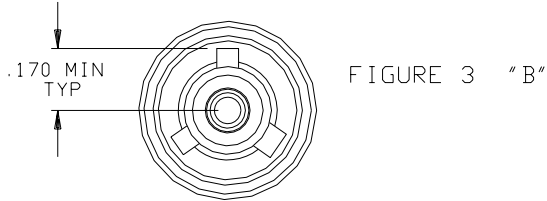
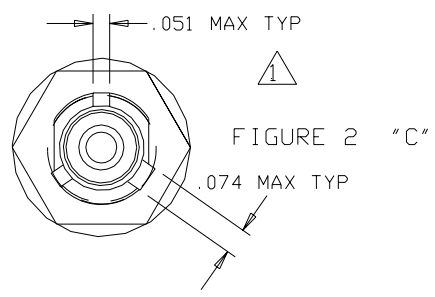
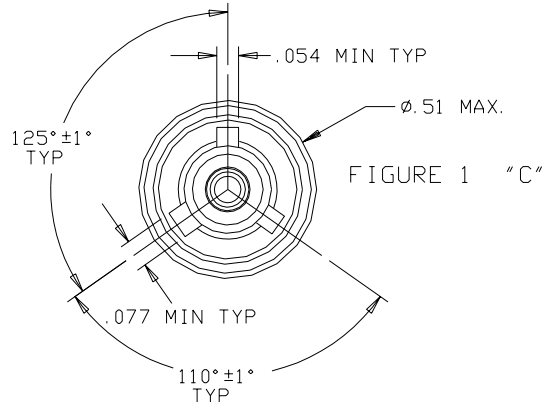
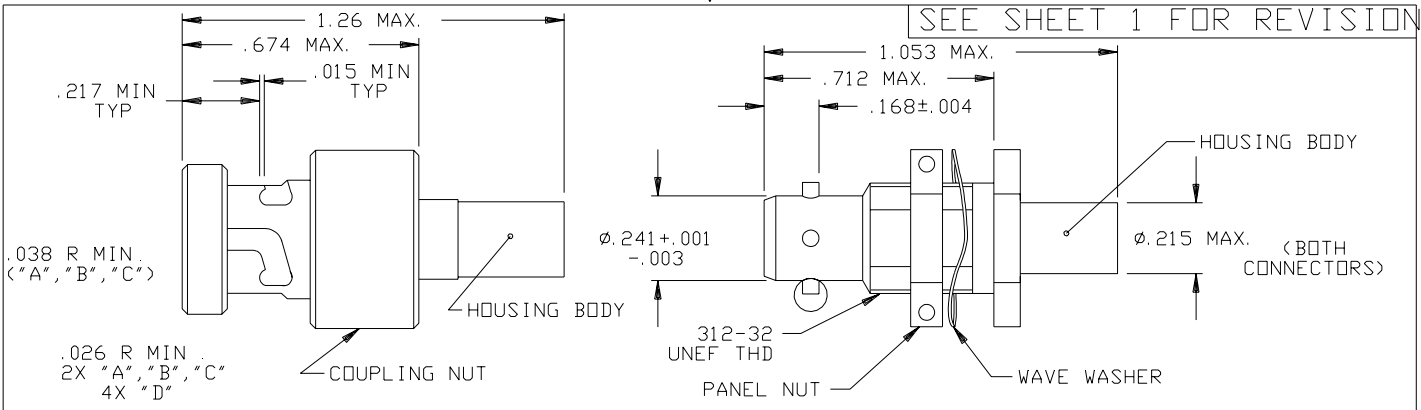


BRAID TERMINATOR
D-600-0030

SPECIFICATION CONTROL DRAWING © Raychem Corporation 1987

UNLESS OTHERWISE SPECIFIED DIMENSIONS ARE IN INCHES. METRIC DIMENSIONS ARE IN BRACKETS. DECIMALS .XXX ± N/A [mm] .XX ± N/A [mm] ANGLES .X ± N/A WEIGHT lbs [g]	DRAWN	RDL	88-23-2	RAYCHEM CORPORATION 300 CONSTITUTION DRIVE MENLO PARK, CALIFORNIA 94025			
	CHECKED						
	APPROVED	Z. TEMAN	88-3-8	TITLE CONNECTOR, TRIAXIAL SUBMINIATURE BAYONET COUPLED, RESTRICTED			
	APPROVED						
CAD NAME			003267-1	SIZE	CODE IDENT. NO.	DWG. NO.	REV
THIRD ANGLE PROJECTION				A	06090	D-621-0045/0052	B
DO NOT SCALE THIS DRAWING						SHEET 1 OF 3	

SEE SHEET 1 FOR REVISION



If this document is printed it becomes uncontrolled.
Check with the web for latest revision.

INTERFACE

△ MAJOR KEY ORIENTATION WITH RESPECT TO FLATS IS NOT CONTROLLED. CAD NAME 003267-2

NOTES:

DRAWN	RDL	88-23-2	SIZE	CODE IDENT. NO.	DWG. NO.	REV
ISSUED			A	06090	D-621-0045/0052	B
DO NOT SCALE THIS DRAWING					SHEET 2 OF 3	



SPECIFICATIONS

1.0 MATERIALS AND FINISHES

- 1.1 HOUSING BODY: BeCu ALLOY, ASTM B196, TB00 OR TD04, TIN PLATED PER MIL-T-10727 TYPE I, OVER NICKEL PER MIL-C-26074
- 1.1.1 INSULATION (MIP): POLYETHERSULFONE
- 1.2 COUPLING NUT (PLUG): BeCu ALLOY, ASTM B196, TB00 OR TD04, NICKEL PER MIL-C-26074
- 1.2.1 INTERFACIAL SEAL: SILICONE RUBBER
- 1.3 PANEL NUT (JACK): BRASS ALLOY PER ASTM B16, NICKEL PLATED PER MIL-C-26074
- 1.4 WAVE WASHER (JACK): SPRING STEEL OR BeCu, NICKEL PLATED PER QQ-N-290

1.5 BRAID TERMINATOR

- 1.5.1 BODY: BRASS ALLOY PER ASTM B16, TIN-LEAD PLATED PER MIL-P-81728A
- 1.5.2 SOLDER PREFORM: Sn63 PER QQ-S-571
- 1.5.3 INSULATION SLEEVE: POLYVINYLIDENE FLUORIDE
- 1.5.4 SEALING INSERT: FLUOROCARBON BASED THERMOPLASTIC
- 1.6 STRAIN RELIEF: WHITE RNF-100 WITH ADHESIVE

2.0 WIRE ACCOMMODATIONS

- 2.1 THE CONNECTOR WILL TERMINATE TO THE FOLLOWING RAYCHEM CABLES: 7724C1664, 7724C8664, 10612, 10613, 10614
- 2.2 TERMINATION PROCEDURE: RAYCHEM ES61222

3.0 CONTACTS

3.1 THE CONNECTOR WILL ACCOMMODATE THE FOLLOWING RAYCHEM CONTACTS:

<u>PART NO.</u>	<u>CABLE TYPE</u>	<u>CONTACT DESCRIPTION</u>
D-602-0126	TWINAXIAL	SHIELDED, PIN
D-602-0127	TWINAXIAL	SHIELDED, SOCKET

4.0 PERFORMANCE REQUIREMENTS

4.1 REFER TO RAYCHEM SPECIFICATION D-6025 FOR PRODUCT PERFORMANCE AND QUALIFICATION REQUIREMENTS.

5.0 GENERAL CHARACTERISTICS

- 5.1 OPERATING TEMPERATURE: -65°C TO 125°C
- 5.2 INSULATION RESISTANCE: GREATER THAN 5K MEG
- 5.3 DIELECTRIC STRENGTH: 900 VAC @ 60 Hz
- 5.4 CURRENT RATING: 3 AMPS MAX.

**If this document is printed it becomes uncontrolled.
Check with the web for latest revision.**

CAD NAME: 003267-3

DRAWN	RDL	88-2-23	SIZE A	CODE IDENT. NO. 06090	DWG. NO. D-621-0045/0052	REV B
ISSUED			DO NOT SCALE THIS DRAWING			SHEET 3 OF 3

