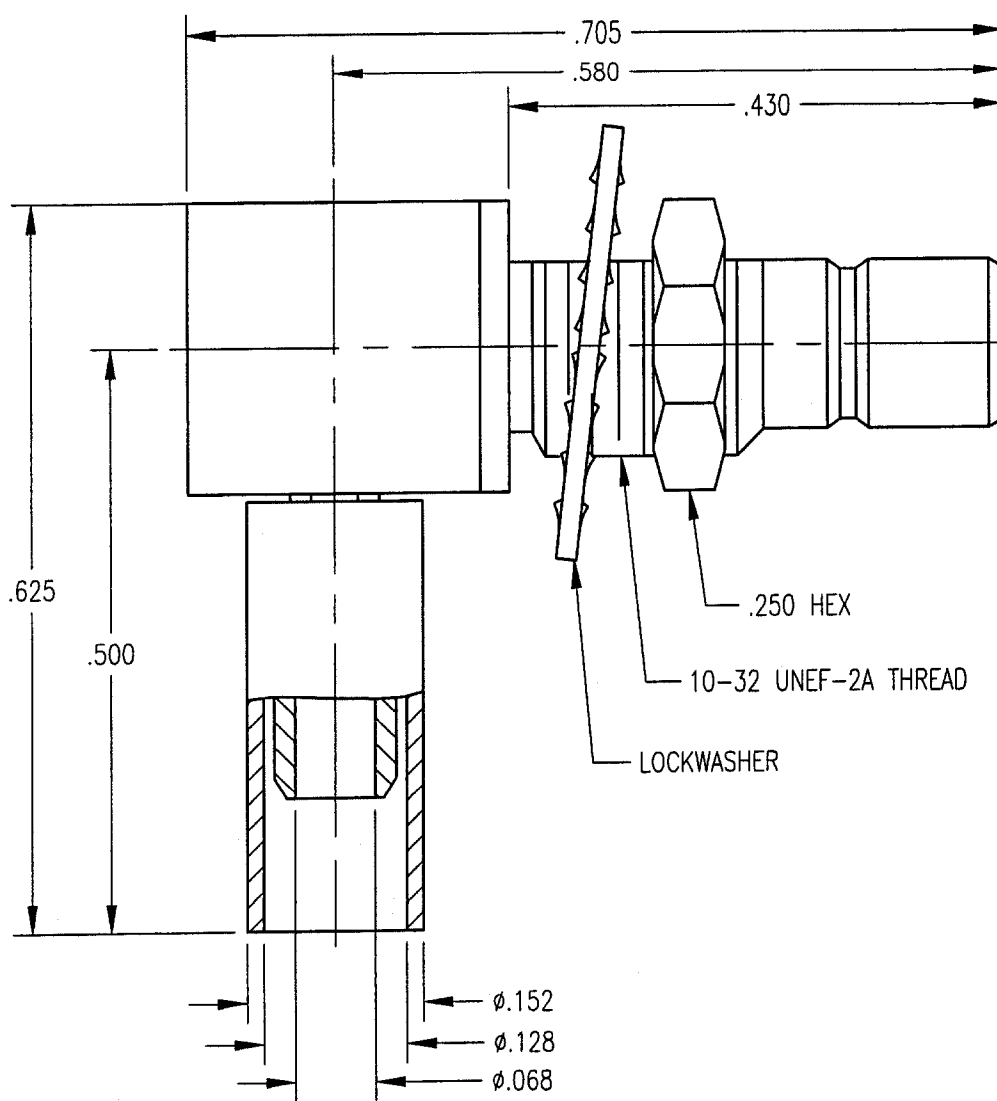


DWG. NO. 513-980-0630N			
REV	DESCRIPTION	BY DATE	APPD
A	ECN 2428	00/09/99 GAT	KA



NOTES:

- 1 MATERIALS:
LOCK WASHER: PHOSPHER BRONZE PER ASTM B103
INSULATOR: TEFLON PER ASTM D1710
ALL OTHER METAL PARTS: BRASS PER ASTM B16
- 2 FINISHES:
CONTACT: .000030 GOLD PER MIL-G-45204 OVER
.000050 NICKEL PER QQ-N-290
ALL OTHER METAL PARTS: .000100 NICKEL PER QQ-N-290 OVER
COPPER FLASH
- 3 DESIGNED FOR USE WITH RG-316 CABLE OR EQUIVALENT
- 4 USE CABLING PROCEDURE NO. 9-06
- 5 CRIMP USING HEX DIE SIZE .105

PER ASME Y14.5M-1994 UNLESS OTHERWISE SPECIFIED: DIMENSIONS ARE IN INCHES (MM)			
TOLERANCES:			
DECIMALS	.xx ± .01/0.254	DATE	DATE
XXX ± .005/0.127		8/26/99	8/27/99
ANGLES ± 2°	SCALE: 6:1	CHECKED	DATE
		EJW	8/27/99
CUSTOMER DRAWING		TITLE	
DRAWN		SMB RIGHT ANGLE BULKHEAD JACK	
JMC	8/26/99	APPROVED	DATE
JED	8/27/99	TLB	8/27/99

Litton		400 Park Road Waterbury, Connecticut 06795	
Winchester/Retconn		TITLE	
A		SMB RIGHT ANGLE BULKHEAD JACK	
513-980-0630N		SHT. OF	REV.
		1 1	A