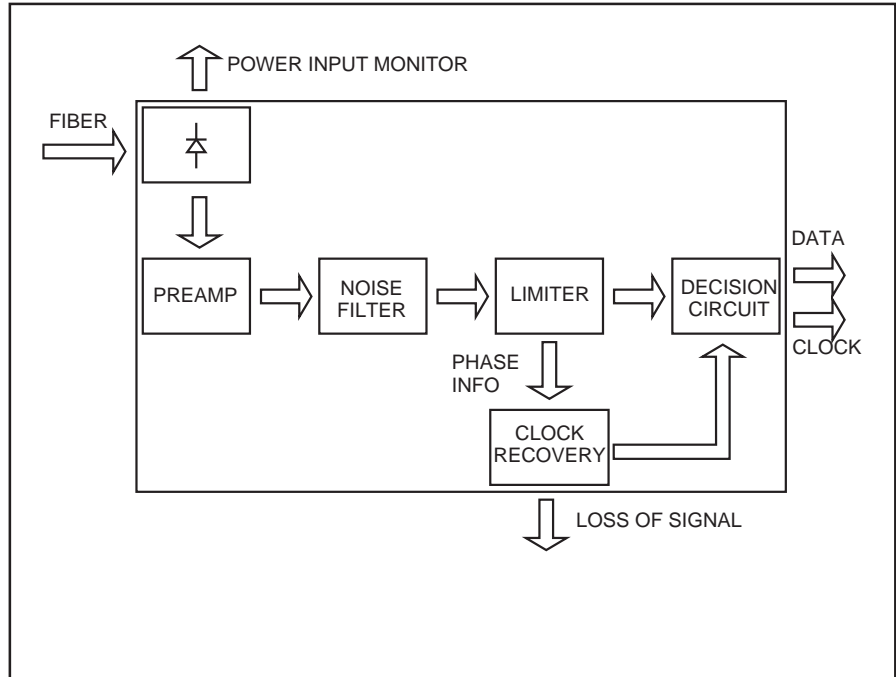


PGR 603 04

Optical Receiver Module

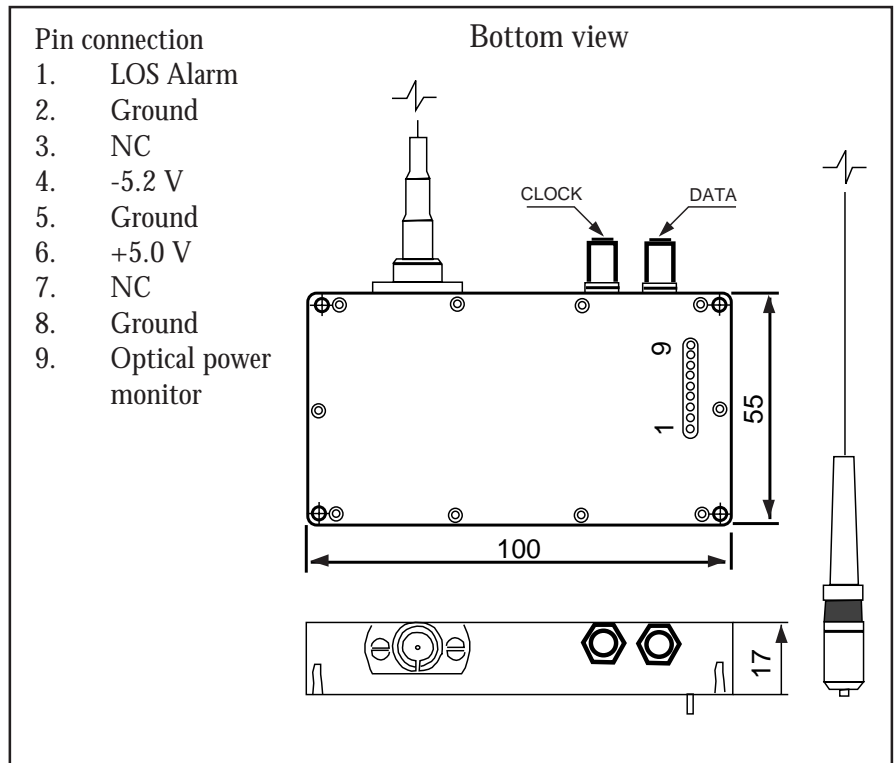
for STM-16 LH/OC-48 LR

The receiver module is intended for use at SDH and SONET bit rates. The receiver meets all present requirements in the ITU-T (G.957) and Bellcore (GR-253-CORE) recommendations. The receiver consists of a InGaAs APD, GaAs IC preamplifier, and silicon IC's. A high level of integration is employed which results in small size, low power consumption and high reliability. Alarm output for loss of signal and optical power monitor are provided according to SDH/SONET requirements. Ericsson Components fiber optic products are qualified to Ericsson internal standards which rely on MIL-STD-833 test methods.



Features

- Built-in clock recovery
- Dynamic range typically 27 dB
- Alarm for loss of signal
- Monitor for input power
- Coaxial clock and data outputs
- Size 100x55x17 mm³
- High reliability



Optical and Electrical Specification

Item	PGR 603 04	Unit
Bit rate	2488.32	Mbit/s
Operating wavelength	1280-1335/1500-1580	nm
Minimum sensitivity	-28 (-32 typical)	dBm
Minimum overload	-8 (-5 typical)	dBm
Optical path penalty	1.0	dB
Output clock jitter	0.01	UI rms
Jitter transfer function	G. 958	ITU-T
Jitter tolerance	G. 958	ITU-T
Supply voltage	+5.0 and -5.2	V
Power consumption	5	W
Operating case temperature	0 to +70	°C

Note 1. Values in brackets guaranteed at beginning-of-life.

Electrical Interface

Output signals	Single-ended A.C. coupled outputs, ECL compatible.
Optical power monitor	Range: -8 to -35 dBm. 0.5 V corresponds to -10 dBm 2.5 V corresponds to -35 dBm
Loss of signal	CMOS, active high output, 0.5 dBm min.hysteresis

Quality Assurance

Ericsson Components commitment to quality has been proved through a decade of semiconductor device production and has been confirmed to ISO 9001. These products are qualified according to the intention of Bellcore (TR-NWT-000468) and supplied with final test data.

Connector Options

FC/PC

SC

(Other connectors available on request)

Ericsson Components

Phone: +46 (8) 757 4402

Fax: +46 (8) 757 4621

American Sales Region

Phone: +1 (972) 583 7236

Fax: +1 (972) 583 5005

European Sales Region

Phone: +44 (1793) 488 300

Fax: +44 (1793) 488 301

Information given in this data sheet is believed to be accurate and reliable. However no responsibility is assumed for the consequences of its use nor for any infringement of patents or other rights of third parties which may result from its use. No license is granted by implication or otherwise under any patent or patent rights of Ericsson Components AB. These products are sold only according to Ericsson Components general conditions of sale, unless otherwise confirmed in writing.

Specifications subject to change without notice.
1522-PGR 603 04 Uen Rev. A
© Ericsson Components AB, Jan. 14, 1998