



Micro Commercial Components

Micro Commercial Components
20736 Marilla Street Chatsworth
CA 91311
Phone: (818) 701-4933
Fax: (818) 701-4939

MC7905CT THRU MC7912CT

Three-Terminal Negative Voltage Regulators

Features

- Output current in excess of 1.0 Ampere
- No external components required
- Internal thermal shut down protection
- Internal short-circuit current limiting
- Safe operating area protection
- Case Material: Molded Plastic. UL Flammability Classification Rating 94V-0

Maximum Ratings @ $T_A=25^\circ\text{C}$, Unless Otherwise Noted

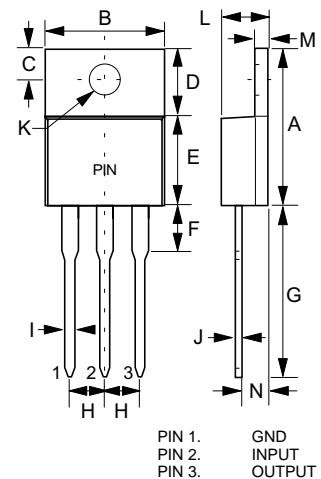
Parameter	Symbol	Value	Unit
Input Voltage	V_I	-35	V
Operating Temperature Range	T_{OPR}	0---125	$^\circ\text{C}$
Storage Temperature Range	T_{STG}	-55---150	$^\circ\text{C}$

MC7905CT

Electrical Characteristics ($V_I=-10\text{V}$, $I_O=500\text{mA}$, $0^\circ\text{C}<T_J<125^\circ\text{C}$,
 $C_i=2.0\mu\text{F}$, $C_o=1.0\mu\text{F}$, Unless Otherwise Specified)

Parameter	Sym	Min	Typ	Max	Test conditions
Output Voltage	V_O	-4.8V	-5.0V	-5.2V	$T_J=25^\circ\text{C}$
		-4.75V		-5.25V	$-7\text{V} \leq V_I \leq -20\text{V}$, $5\text{mA} \leq I_O \leq 1.0\text{A}$, $P_D \leq 15\text{W}$
Load Regulation	ΔV_O		15mV	100mV	$5\text{mA} \leq I_O \leq 1.5\text{A}$, $T_J=25^\circ\text{C}$
			5.0mV	50mV	$250\text{mA} \leq I_O \leq 750\text{mA}$, $T_J=25^\circ\text{C}$
Line regulation	ΔV_O		12.5mV 4.0mV	50mV 15mV	$-7\text{V} \leq V_I \leq -25\text{V}$, $T_J=25^\circ\text{C}$ $-8\text{V} \leq V_I \leq -12\text{V}$, $T_J=25^\circ\text{C}$
Quiescent Current	I_q		1.5mA	2.0mA	$T_J=25^\circ\text{C}$, $I_O=0$
Quiescent Current Change	ΔI_q			0.5mA 0.5mA	$-7\text{V} \leq V_I \leq -25\text{V}$ $5\text{mA} \leq I_O \leq 1.0\text{A}$
Output Noise Voltage	V_N		120 μV		$f=120\text{Hz}$
Ripple Rejection	RR	54dB	60dB		$-8\text{V} \leq V_I \leq -18\text{V}$ $f=120\text{Hz}$, $T_J=25^\circ\text{C}$
Dropout Voltage	V_d		1.1V		$I_O=1.0\text{A}$, $T_J=25^\circ\text{C}$
Peak Output Current	I_{Opeak}		2.1A		$T_J=25^\circ\text{C}$
Temperature Coefficient of Output voltage	$\Delta V_O / \Delta T_J$		-0.4mV/ $^\circ\text{C}$		$0^\circ\text{C} \leq T_J \leq 125^\circ\text{C}$, $I_O=5\text{mA}$

TO-220



DIMENSIONS

DIM	INCHES		MM		NOTE
	MIN	MAX	MIN	MAX	
A	.560	.625	14.22	15.88	
B	.380	.420	9.65	10.67	
C	.100	.135	2.54	3.43	
D	.230	.270	5.84	6.86	
E	.380	.420	9.65	10.67	
F	-----	.250	-----	6.35	
G	.500	.580	12.70	14.73	
H	.090	.110	2.29	2.79	
I	.020	.045	0.51	1.14	
J	.012	.025	0.30	0.64	
K	.139	.161	3.53	4.09	∅
L	.140	.190	3.56	4.83	
M	.045	.055	1.14	1.40	
N	.080	.115	2.03	2.92	

MC7906CT

Electrical Characteristics ($V_i=11V$, $I_o=500mA$, $0^\circ C < T_j < 125^\circ C$, $C_i=2.0\mu F$, $C_o=1.0\mu F$, Unless Otherwise Specified)

Parameter	Sym	Min	Typ	Max	Test conditions
Output Voltage	V_o	-5.75V	-6.0V	-6.25V	$T_j=25^\circ C$
		-5.70V		-6.30V	$-8V \leq V_1 \leq -21V$, $5mA \leq I_o \leq 1.0A$, $P_D \leq 15W$
Load Regulation	ΔV_o		15mV	160mV	$5mA \leq I_o \leq 1.5A$, $T_j=25^\circ C$,
			5.0mV	80mV	$250mA \leq I_o \leq 750mA$, $T_j=25^\circ C$
Line regulation	ΔV_o		12.5mV 4.0mV	160mV 80mV	$-8.0V \leq V_1 \leq -25V$, $T_j=25^\circ C$ $-9V \leq V_1 \leq -13V$, $T_j=25^\circ C$
Quiescent Current	I_q		1.5mA	2.0mA	$T_j=25^\circ C$, $I_o=0$
Quiescent Current Change	ΔI_q			1.0mA 0.5mA	$-10.5V \leq V_1 \leq -25V$ $5mA \leq I_o \leq 1.0A$
Output Noise Voltage	V_N		200 μV		$10Hz \leq f \leq 100KHz$ $T_j=25^\circ C$
Ripple Rejection	RR	54dB	60dB		$f=120Hz$ $-9V \leq V_1 \leq -13V$, $T_j=25^\circ C$
Dropout Voltage	V_d		1.1V		$I_o=1.0A$, $T_j=25^\circ C$
Peak Output Current	I_{opeak}		2.1A		$T_j=25^\circ C$
Temperature Coefficient of Output voltage	$\Delta V_o/\Delta T_j$		-0.5mV/ $^\circ C$		$0^\circ C \leq T_j \leq 125^\circ C$, $I_o=5mA$

MC7908CT

Electrical Characteristics ($V_i=14V$, $I_o=500mA$, $0^\circ C < T_j < 125^\circ C$, $C_i=2.0\mu F$, $C_o=1.0\mu F$, Unless Otherwise Specified)

Parameter	Sym	Min	Typ	Max	Test conditions
Output Voltage	V_o	-7.70V	-8.0V	-8.30V	$T_j=25^\circ C$
		-7.60V		-8.40V	$-10.5V \leq V_1 \leq -23V$, $5mA \leq I_o \leq 1.0A$, $P_D=15W$
Load Regulation	ΔV_o		12mV	160mV	$5mA \leq I_o \leq 1.5A$, $T_j=25^\circ C$,
			4.0mV	80mV	$250mA \leq I_o \leq 750mA$, $T_j=25^\circ C$
Line regulation	ΔV_o		6.0mV 2.0mV	160mV 80mV	$-10.5V \leq V_1 \leq -25V$, $T_j=25^\circ C$ $-11V \leq V_1 \leq -17V$, $T_j=25^\circ C$
Quiescent Current	I_q		2.2mA	4.5mA	$T_j=25^\circ C$, $I_o=0$
Quiescent Current Change	ΔI_q			1.0mA 0.5mA	$-10.5V \leq V_1 \leq -25V$ $5mA \leq I_o \leq 1.0A$
Output Noise Voltage	V_N		52 μV		$10Hz \leq f \leq 100KHz$ $T_j=25^\circ C$
Ripple Rejection	RR	56dB	71dB		$f=120Hz$ $-10.5V \leq V_1 \leq -25V$ $T_j=25^\circ C$
Dropout Voltage	V_d		2.0V		$I_o=1.0A$, $T_j=25^\circ C$
Peak Output Current	I_{opeak}		2.1A		$T_j=25^\circ C$
Temperature Coefficient of Output voltage	$\Delta V_o/\Delta T_j$		-0.6mV/ $^\circ C$		$0^\circ C \leq T_j \leq 125^\circ C$, $I_o=5mA$

MC7909CT

Electrical Characteristics ($V_i=15V$, $I_o=500mA$, $0^\circ C < T_j < 125^\circ C$, $C_i=2.0\mu F$, $C_o=1.0\mu F$, Unless Otherwise Specified)

Parameter	Sym	Min	Typ	Max	Test conditions
Output Voltage	V_o	-8.70V	-9.0V	-9.30V	$T_j=25^\circ C$
		-8.60V		-9.40V	$-11.5V \leq V_1 \leq -24V$, $5mA \leq I_o \leq 1.0A$, $P_D \leq 15W$
Load Regulation	ΔV_o		12mV	180mV	$5mA \leq I_o \leq 1.5A$, $T_j=25^\circ C$,
			4.0mV	90mV	$250mA \leq I_o \leq 750mA$, $T_j=25^\circ C$
Line regulation	ΔV_o		10mV 5.0mV	180mV 90mV	$-11.5V \leq V_1 \leq -26V$, $T_j=25^\circ C$ $-12V \leq V_1 \leq -18V$, $T_j=25^\circ C$
Quiescent Current	I_q		3.0mA	6.0mA	$T_j=25^\circ C$, $I_o=0$
Quiescent Current Change	ΔI_q			1.0mA 0.5mA	$-11.5V \leq V_1 \leq -26V$ $5mA \leq I_o \leq 1.0A$
Output Noise Voltage	V_N		175 μ V		$10Hz \leq f \leq 100KHz$ $T_j=25^\circ C$
Ripple Rejection	RR	54dB	60dB		$f=120Hz$, $-11.5V \leq V_1 \leq -26V$, $T_j=25^\circ C$
Dropout Voltage	V_d		1.1V		$I_o=1.0A$, $T_j=25^\circ C$
Peak Output Current	I_{opeak}		2.1A		$T_j=25^\circ C$
Temperature Coefficient of Output voltage	$\Delta V_o/\Delta T_j$		-0.6mV/ $^\circ C$		$0^\circ C \leq T_j \leq 125^\circ C$, $I_o=5mA$

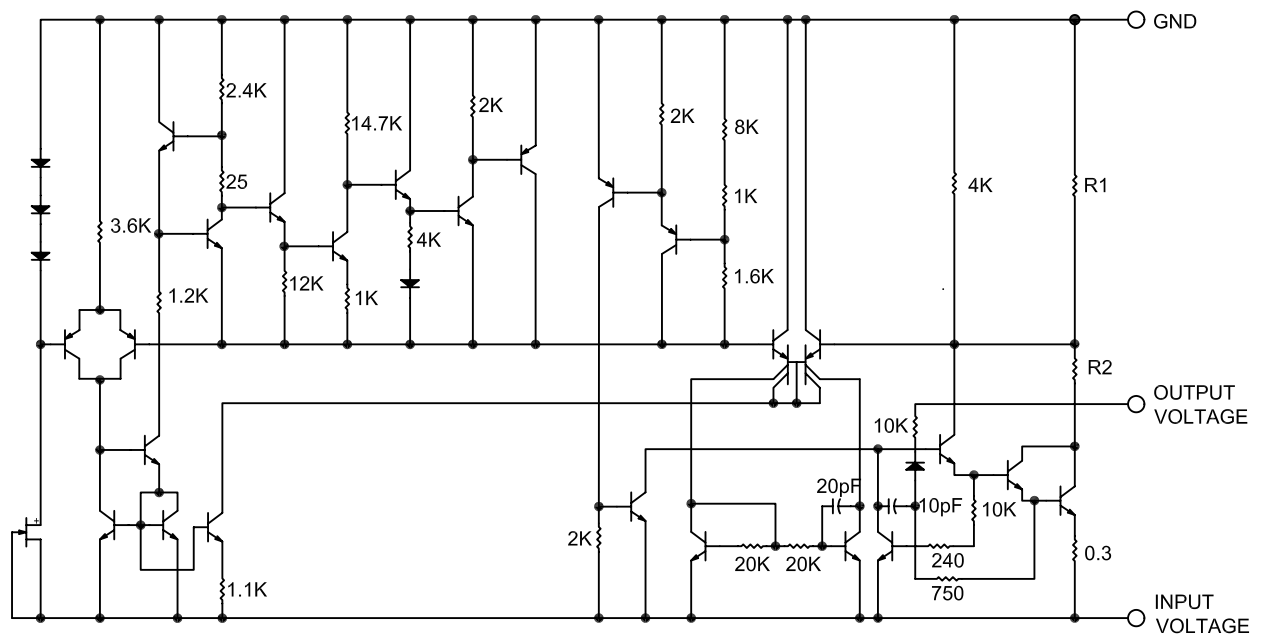
MC7912CT

Electrical Characteristics (Vi=19V, Io=500mA, 0°C<Tj<125°C, Ci=2.0uF, Co=1.0uF, Unless Otherwise Specified)

Parameter	Sym	Min	Typ	Max	Test conditions
Output Voltage	Vo	-11.50V	-12V	-12.50V	Tj=25°C
		-11.40V		-12.60V	-14.5V ≤ V1 ≤ -27V, 5mA ≤ Io ≤ 1.0A, Po ≤ 15W
Load Regulation	ΔVo		15mV	200mV	5.0mA ≤ Io ≤ 1.5A, Tj=25°C,
			5.0mV	75mV	250mA ≤ Io ≤ 750mA, Tj=25°C
Line regulation	ΔVo		5.0mV 3.0mV	80mV 30mV	-14.5V ≤ V1 ≤ -30V, Tj=25°C -16V ≤ V1 ≤ -22V, Tj=25°C
Quiescent Current	Iq		2.0mA	3.0mA	Tj=25°C, Io=0
Quiescent Current Change	ΔIq			0.5mA 0.5mA	-14.5V ≤ V1 ≤ -30V 5mA ≤ Io ≤ 1.0A
Output Noise Voltage	VN		300μV		10Hz ≤ f ≤ 100KHz Tj=25°C
Ripple Rejection	RR	54dB	60dB		f=120Hz, -14.5V ≤ V1 ≤ -30V, Tj=25°C
Dropout Voltage	Vd		1.1V		Io=1.0A, Tj=25°C
Peak Output Current	Iopeak		2.1A		Tj=25°C
Temperature Coefficient of Output voltage	ΔVo/ΔTj		-0.8mV/°C		0°C ≤ Tj ≤ 125°C, Io=5mA

MC7905CT thru MC7912CT

Representation Schematic Diagram





Micro Commercial Components

*****IMPORTANT NOTICE*****

Micro Commercial Components Corp. reserves the right to make changes without further notice to any product herein to make corrections, modifications, enhancements, improvements, or other changes.

Micro Commercial Components Corp. does not assume any liability arising out of the application or use of any product described herein; neither does it convey any license under its patent rights, nor the rights of others. The user of products in such applications shall assume all risks of such use and will agree to hold *Micro Commercial Components Corp.* and all the companies whose products are represented on our website, harmless against all damages.

*****APPLICATIONS DISCLAIMER*****

Products offer by *Micro Commercial Components Corp.* are not intended for use in Medical, Aerospace or Military Applications.