

UCD4
5.0 x 3.2 x 1.85 mm
LCC Ceramic Package

Features

- Pletronics' UCD4 Series Temperature Compensated Crystal Oscillator
- Optional Voltage Control Function
- Low Power / Fast Warm Up
- Clipped Sine Wave Output
- 2.5V to 3.3V nominal Supply Voltage
- Not all combinations possible - contact factory

Applications

SONET / SDH / DWDM
Test & Measurement
Telecom Transmission & Switching Equipment
Base Stations / Picocell
Wireless Communication Equipment

Electrical Characteristics

Parameter	Min	Typ	Max	Unit	Condition (Consult factory for other options)
Frequency Range ²	10	-	40	MHz	See table below for developed frequencies
Frequency Stability vs. Temperature ²	-200 -100 -50	-	+200 +100 +50	ppb	Over -40°C to +85°C Over -20°C to +70°C Over 0°C to +70°C at fixed V _{CC} + load (reference to midpoint min/max frequency) See factory for other options
Frequency Initial Calibration		-	±2.0	ppm	Referenced to the value 25°C ± 2°C ; V _c =1.5V if VCTCXO
Operating Temperature Range ²	-40	-	+85	°C	Contact factory for wider ranges
Supply Voltage ^{1,2} V _{CC}	2.5	-	3.3	Volts	± 5%
Supply Current I _{CC}	-	2.5 3.0 4.0	-	mA	13 MHz 26 MHz 40 MHz Load: 10 Kohm 10 pF, V _{CC} ± 5%
Frequency Stability vs. Supply	-	-	±50	ppb	Load: 10 Kohm 10 pF, V _{CC} ± 5%
Frequency Stability vs. Load	-	-	±50	ppb	Load: 10 Kohm 10 pF, V _{CC} ± 5%
Vcontrol Range	0.5	-	2.5	Volts	1.50 volts nominal for V _{CC}
Frequency Pullability ²	0	±8.0	±12.0	ppm	Positive Slope
Output Waveform	Clipped Sine Wave				Dc Coupled
Output Level	0.8	-	-	V p-p	Load: 10 Kohm 10 pF ± 10%
Startup Time	-	-	10.0	mS	Within ± 2.0 ppm of final frequency
Long Term Stability (Aging)	-	-	±1.0	ppm	Per year at 25°C ± 2°C
Phase Noise	100 Hz 1 kHz 10 kHz 100 kHz	-	-120 -134 -148 -150	-	dBc/Hz 25°C ± 2°C at 26.0 MHz
Storage Temperature Range	-55	-	+95	°C	

Note: ¹ Place a 10nF power supply bypass capacitor next to device for correct operation
² Specified by part number.

The following is a list of developed frequencies. Consult factory for other options.

10.0M, 12.8M, 13.0M, 19.20M, 20.0M, 25.0M, 26.0M, 30.72M



Part Number (Possible Options shown)

Series Model	V _{CC} Supply Voltage ¹		Operating Temperature		Stability ^{1,2}	Pullability ¹	Frequency
	Lowest	Highest	Lowest	Highest	(ppm * 100)	(ppm)	(MHz)
UCD4	031	035	G	K	028	008	-20.0M
	031 = 3.1 for 3.3 volts nominal 029 = 2.9 for 3.0 volts nominal 027 = 2.7 for 2.8 volts nominal 024 = 2.4 for 2.5 volts nominal	035 = 3.5 for 3.3 volts nominal 031 = 3.1 for 3.0 volts nominal 029 = 2.9 for 2.8 volts nominal 026 = 2.6 for 2.5 volts nominal	A = +10°C B = +5°C C = +0°C D = -5°C E = -10°C F = -15°C G = -20°C H = -25°C J = -30°C K = -35°C L = -40°C	A = +40°C B = +45°C C = +50°C D = +55°C E = +60°C F = +65°C G = +70°C H = +75°C J = +80°C K = +85°C	005 = ± 0.05 010 = ± 0.10 028 = ± 0.28 050 = ± 0.50 100 = ± 1.0	000 = TCXO 005 = ± 5 008 = ± 8 012 = ± 12	10 - 40 MHz

¹ Contact Factory for non-standard specifications

² Not all stabilities are available with all operating temperature ranges. Contact Factory for exact combinations available.

Device Marking

Pff.fM • YMDxxx	ff.fM	=	Frequency in MHz	Specifications such as part number, frequency stability, supply voltage and operating temperature range, etc. are not identified from marking. External packaging labels and packing list will correctly identify the ordered Pletronics part number.
	YMD	=	Date code (see table below)	
	P	=	Pletronics	
	x	=	Internal Factory Codes	

Code	2	3	4	5	6	Code	A	B	C	D	E	F	G	H	J	K	L	M
Year	2022	2023	2024	2025	2026	Month	JAN	FEB	MAR	APR	MAY	JUN	JUL	AUG	SEP	OCT	NOV	DEC

Code	1	2	3	4	5	6	7	8	9	A	B	C	D	E	F	G	H	J	K	L	M	N	P	R	T	U	V	W	X	Y	Z
Day	1	2	3	4	5	6	7	8	9	10	11	12	13	14	15	16	17	18	19	20	21	22	23	24	25	26	27	28	29	30	31

Package Labeling

P/N Label is 1" x 2.6" (25.4mm x 66.7mm)
 Font is Courier New
 Bar code is 39-Full ASCII

RoHS Label is 1" x 2.6" (25.4mm x 66.7mm)
 Font is Arial

P/N: UCD4024026JK010008-20.0M Customer P/N: 12345678 Qty: 1000 D/C 1DW MSL: 1
--

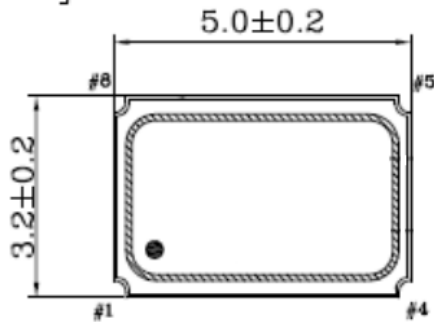
RoHS Compliant 2nd Lvl Interconnect Category=e4 Max Safe Temp=260C for 10s 2X Max

Pletronics Inc. certifies this device is in accordance with the RoHS and REACH directives.

Pletronics Inc. guarantees the device does not contain the following: Cadmium, Hexavalent Chromium, Lead, Mercury, PBB's, PBDE's
 Weight of the Device: 0.10 grams
 Moisture Sensitivity Level: 1 As defined in J-STD-020D
 Second Level Interconnect code: e4

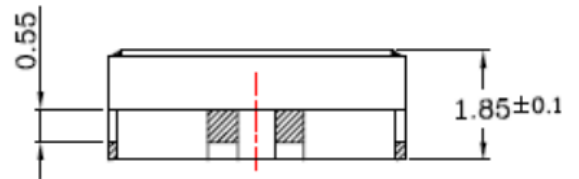
Mechanical Dimensions (mm)

[TOP VIEW]

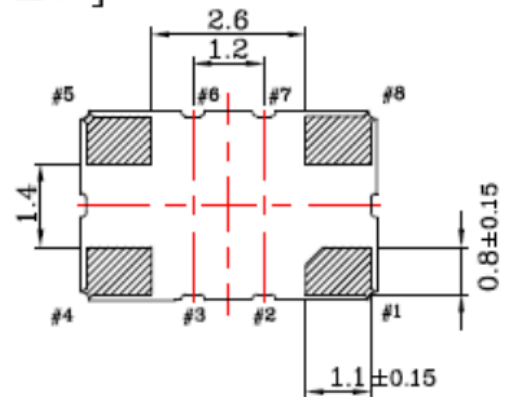


Pin 1 Mark

[SIDE VIEW]

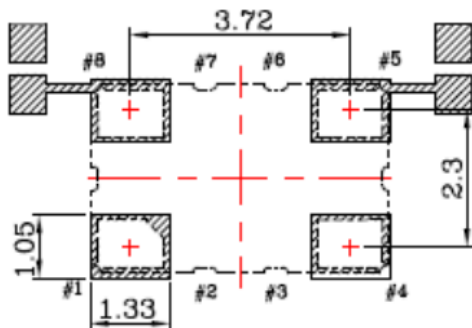


[BOTTOM VIEW]



Recommended soldering pattern

★To ensure optimal oscillator performance, place a by-pass capacitor of 0.1uF as close to the part as possible between Vdd and GND pads.



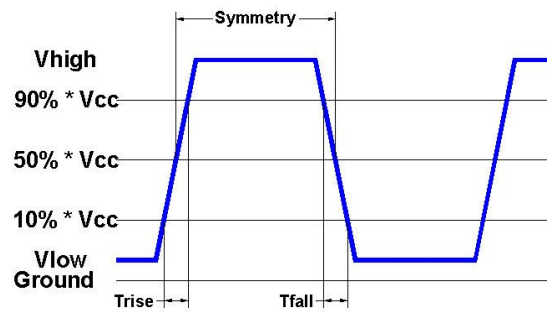
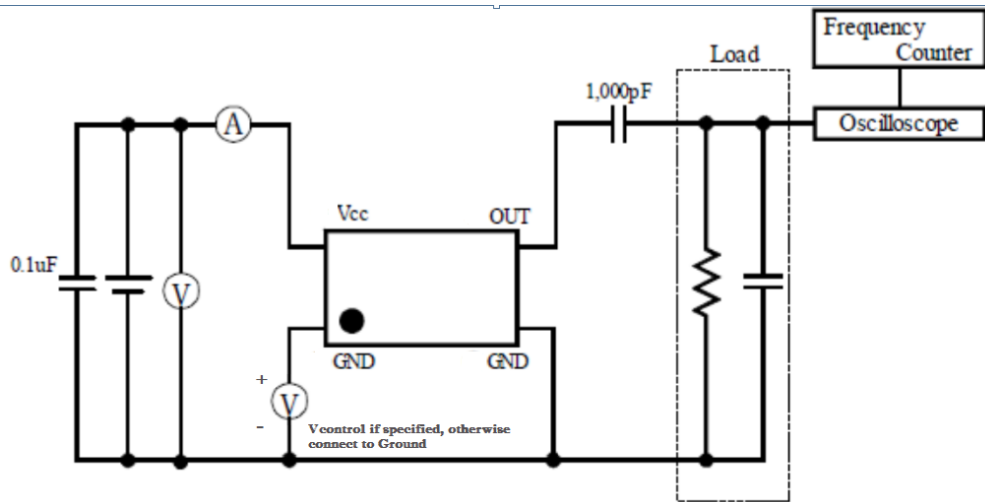
PIN#	FUNCTION
1	VCON:VC-TCXO NC:TCXO
4	GND
5	Fout
8	VDD

All connection points in the designated region have solder mask cover to avoid any electrical connections (top view shown)

For Optimum Jitter Performance, Pletronics recommends:

- A ground plane under the device
- Do not route large transient signals (both current and voltage) under the device
- Do not place near a large magnetic field such as a high frequency switching power supply
- Do not place near piezoelectric buzzers or mechanical fans
- Minimize air flow across the device

Electrical Test /Load Circuit



Absolute Maximum Ratings

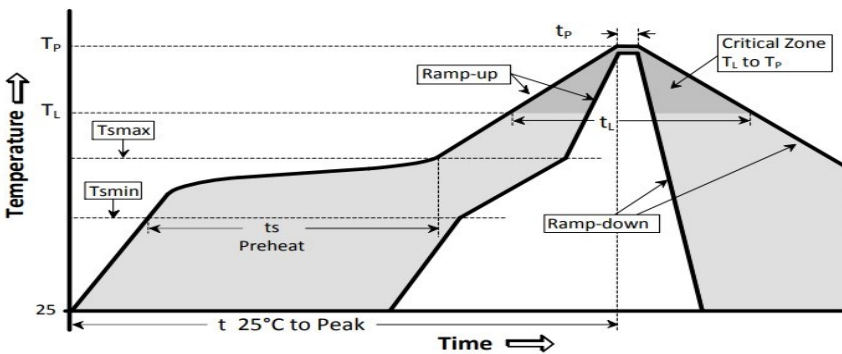
Parameter	Unit
V _{CC} Supply Voltage	-0.6V to +4.6V
V _i Input Voltage	-0.6V to V _{CC} + 0.6V and less than 4.6V
I _o Output Current	-10mA to +10mA

Thermal Characteristics:

The maximum die or junction temperature is 155°C

Reflow Cycle

Maximum Reflow Conditions in accordance with IPC/JEDEC J-STD-020C "Pb-free"

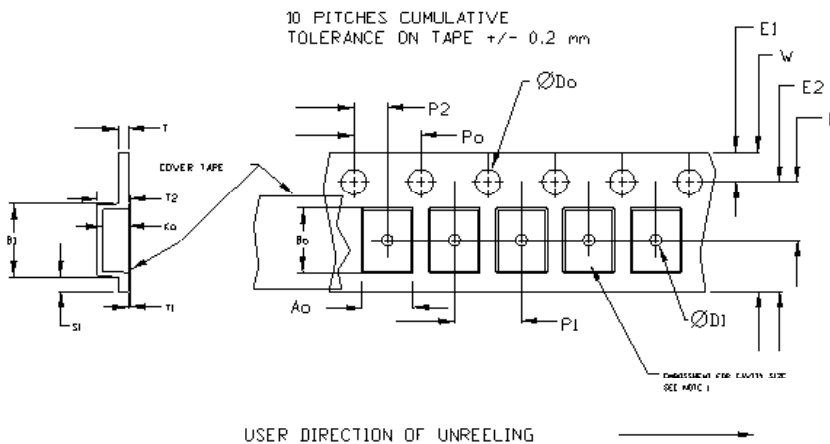


The part may be reflowed 2 times without degradation (typical for lead free processing).

Temperature Profile	Symbol	Condition	Unit
Average ramp-up rate (T _{Smax} to T _P)		3°C / second max	°C / s
Ramp down Rate	T _{cool}	6°C / second max	°C / s
Time 25°C to Peak Temperature	T _{to-peak}	8 minutes max	min
Preheat			
Temperature min	T _{Smin}	150	°C
Temperature max	T _{Smax}	200	°C
Time T _{Smin} to T _{Smax}	t _s	60 – 180	sec
Soldering above liquidus			
Temperature liquidus	T _L	217	°C
Time above liquidus	t _L	60 – 150	sec
Peak temperature			
Peak Temperature	T _p	260	°C
Time within 5°C of peak temperature	t _p	20 – 40	sec

Tape and Reel

Tape and Reel available for quantities of 250 to 1000 per reel, cut tape for < 250. 16mm tape, 8mm pitch.

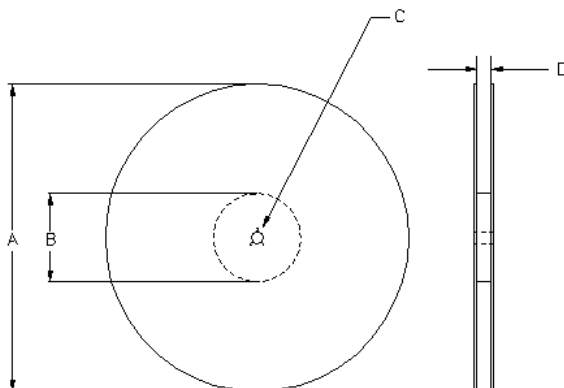


Tape Size	Do	D1 min	E1	Po	P2	S1 min	T max	T1 max
8mm	1.5	1.0	1.75	4.0	±0.05	0.6	0.3	0.1
12mm		1.5						
16mm	+0.1 -0.0	1.5	±0.1	±0.1	2.0	0.6	0.3	0.1
24mm		1.5		±0.1				

Tape Size	B1 max	E2 typ	F	P1	T2 max	W max	Ao, Bo & Ko
16mm	5.6	14.25	7.5 ±0.1	8.0 ±0.1	8.0	16.3	Note 1

Dimensions in mm Drawing Not to scale

Note 1: Embossed cavity to conform to EIA-481-B



Reel Size	A		B		C	D
	Inches	mm	Inches	mm		
7	7.0	177.8	2.50	63.5	13.0	Tape size +0.4
10	10.0	254.0	4.00	101.6		
13	13.0	330.2	3.75	95.3	+0.5 -0.2	+2.0 -0.0



Important Notice

Pletronics Incorporated (PLE) reserves the right to make corrections, improvements, modifications and other changes to this product at anytime. PLE reserves the right to discontinue any product or service without notice. Customers are responsible for obtaining the latest relevant information before placing orders and should verify that such information is current and complete. All products are sold subject to PLE's terms and conditions of sale supplied at the time of order acknowledgment.

PLE warrants performance of this product to the specifications applicable at the time of sale in accordance with PLE's limited warranty. Testing and other quality control techniques are used to the extent PLE deems necessary to support this warranty. Except where mandated by specific contractual documents, testing of all parameters of each product is not necessarily performed.

PLE assumes no liability for application assistance or customer product design. Customers are responsible for their products and applications using PLE components. To minimize the risks associated with the customer products and applications, customers should provide adequate design and operating safeguards.

PLE products are not designed, intended, authorized or warranted to be suitable for use in life support applications, weapons, weapon systems or space applications, devices or systems or other critical applications that may involve potential risks of death, personal injury or severe property or environmental damage. Inclusion of PLE products in such applications is understood to be fully at the risk of the customer. Use of PLE products in such applications requires the written approval of an appropriate PLE officer. Questions concerning potential risk applications should be directed to PLE.

PLE does not warrant or represent that any license, either express or implied, is granted under any PLE patent right, copyright, artwork or other intellectual property right relating to any combination, machine or process which PLE product or services are used. Information published by PLE regarding third-party products or services does not constitute a license from PLE to use such products or services or a warranty or endorsement thereof. Use of such information may require a license from a third party under the patents or other intellectual property of the third party, or a license from PLE under the patents or other intellectual property of PLE.

Reproduction of information in PLE data sheets or web site is permissible only if the reproduction is without alteration and is accompanied by associated warranties, conditions, limitations and notices. Reproduction of this information with alteration is an unfair and deceptive business practice. PLE is not responsible or liable for such altered documents.

Resale of PLE products or services with statements different from or beyond the parameters stated by PLE for that product or service voids all express and implied warranties for the associated PLE product or service and is an unfair or deceptive business practice. PLE is not responsible for any such statements.

Contacting Pletronics Inc.

Pletronics, Inc.
19013 36th Ave. West
Lynnwood, WA 98036-5761
U.S.A.

Tel: 425.776.1880
Fax: 425.776.2760
email: ple-sales@pletronics.com

URL: www.pletronics.com