



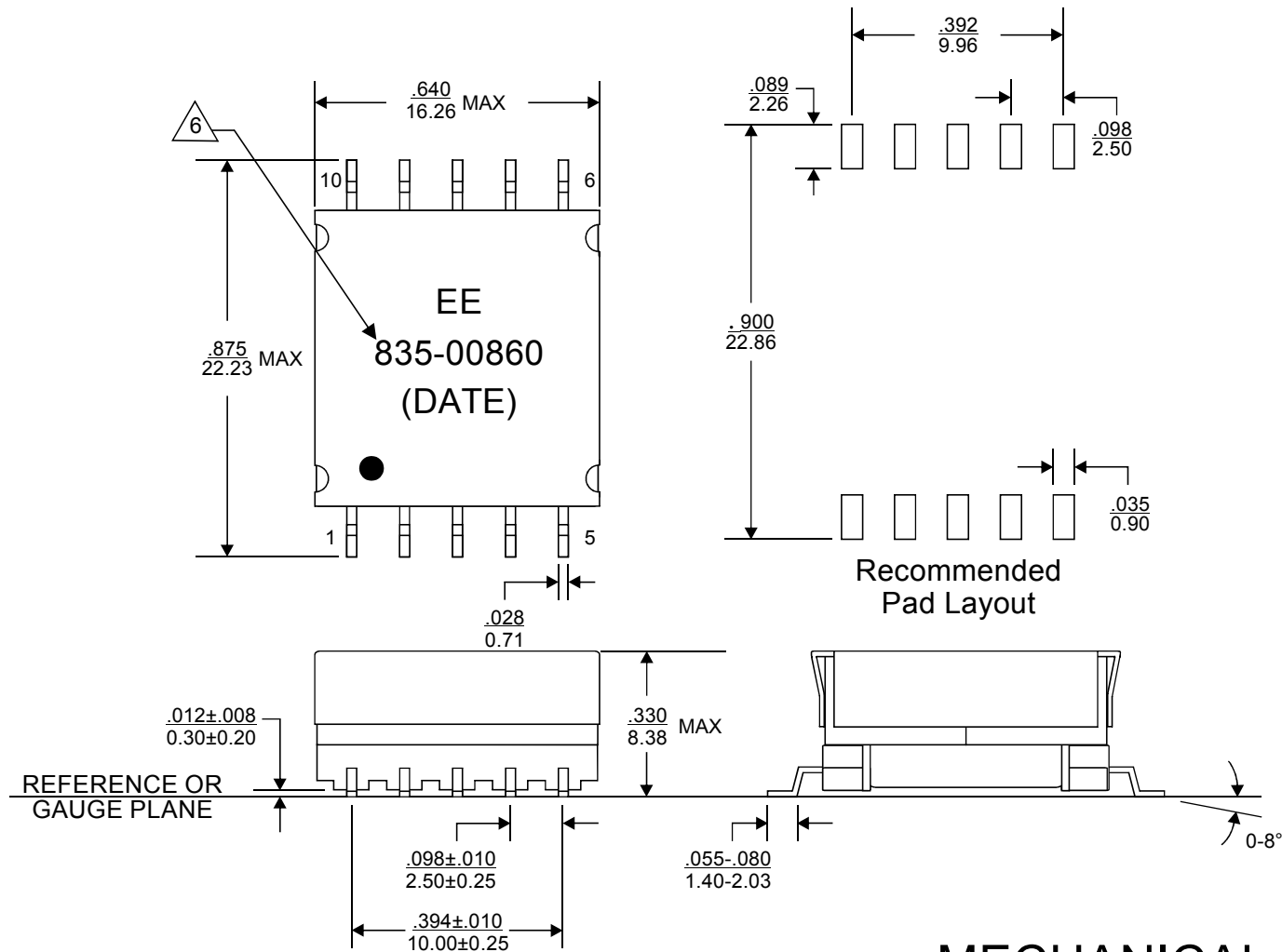


REVISIONS			
REV.	DESCRIPTION	ECN NO.	DATE
01	FIRST RELEASE FOR RFQ#A2006-9799b	N/A	10/17/06
02	UPDATE DRAWING AS PER CUSTOMER REQUEST	EE9208	04/06/07

PAGE 4 IS FOR INTERNAL ONLY

PART NUMBER		PART DESCRIPTION		TITLE												
835-00860		Standard version, with Lead(Pb)		TRANSFORMER, FLYBACK, SMT, 10 PIN												
835-00860F		RoHS compliant per EU Directive 2002/95/EC(without exemption of solder content)														
<p align="center"><u>WARNING !</u></p> <p>ALL SHEETS OF THIS DOCUMENT ARE CONTROLLED DOCUMENTATION AND ARE NOT TO BE RELEASED OUTSIDE OF E&E OR ITS SUB-CONTRACTORS WITHOUT AUTHORIZATION.</p>		UNLESS OTHERWISE SPECIFIED, DIMENSIONS ARE IN INCH/mm.		APPROVALS												
		<p align="center"><u>TOLERANCE ARE:</u></p> <table border="0"> <tr> <td>INCH</td> <td></td> <td>ANGLE</td> </tr> <tr> <td>.XXX ± .005</td> <td>.XX ± .13</td> <td>X.X ± 0.3</td> </tr> <tr> <td>.XX ± .02</td> <td>.X ± .5</td> <td>X. ± 1</td> </tr> </table>		INCH		ANGLE	.XXX ± .005	.XX ± .13	X.X ± 0.3	.XX ± .02	.X ± .5	X. ± 1	DATE		 E & E Magnetic Products Ltd. DRAWING NO./MODEL <p align="center">835-00860</p> SCALE <p align="center">DO NOT SCALE</p>	
		INCH		ANGLE												
		.XXX ± .005	.XX ± .13	X.X ± 0.3												
		.XX ± .02	.X ± .5	X. ± 1												
DRAWN BY		DATE														
W.P. CHENG		04/06/07														
PROJ. ENG		DATE														
W.P. CHENG		04/06/07														
APPROVED BY		DATE		REV												
V. TSUI		04/06/07		02												
Q.A.		DATE		PAGE 1 OF 4												
C.M. TSUI		04/06/07		4												



MECHANICAL OUTLINE

1. Dimension are specified in $\frac{\text{inches}}{\text{mm}}$ with higher precedence in inches.
2. Unless otherwise specified, all tolerances are $\pm \frac{.010}{0.25}$.
3. Coplanarity: $\frac{.006}{0.15}$ max.
4. "(DATE)" includes at least the manufacturing date code(in YYWW format) plus two character country code.
5. Dimensions are to be measured in accordance with JEDEC standard 95-1.
6. For RoHS compliant version, 835-00860F, the part will be marked with "835-00860F", instead of "835-00860".

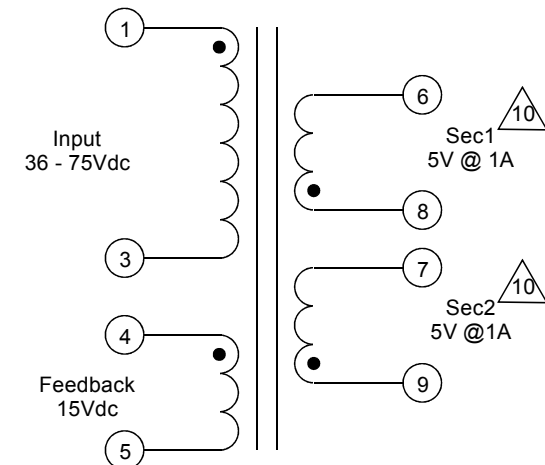


E & E Magnetic Products Ltd.

DRAWING NO./MODEL		REV	
835-00860		02	
SCALE	PAGE	OF	
DO NOT SCALE	2	4	

ELECTRICAL SPECIFICATION @25°C:

PARAMETERS	UNIT	LIMITS
Turns Ratio(1-3):(4-5):(8-6):(9-7)	-	1 : 0.471 : 0.118 : 0.118 ± 2%
Polarity	-	Per Schematic
Inductance, Ls(1-3)@20kHz, 0.25Vrms, 0ADC	uH	82.5 - 111.7
Inductance, Ls(1-3)@20kHz, 0.25Vrms, 1.20ADC	uH	76.7 Min
DCR(1-3)	Ω	0.232 Max
DCR(9-7)	mΩ	13 Max
DCR(8-6)	mΩ	13 Max
DCR(4-5)	Ω	0.376 Max
HIPOT(4&1):(9&8), 1 second	Vdc	1800 Min
HIPOT(1):(5), 1 second	Vrms	300 Min



SCHEMATIC

7. Operating temperature: -40°C to +85°C.
8. The temperature of the component (ambient plus temperature rise) must be within the stated operating temperature range.
9. The transformer is designed to meet operational insulation.
10. The transformer is designed to with Linear Tech#LTC3803 with specific feedback resistor divider values.



E & E Magnetic Products Ltd.

DRAWING NO./MODEL

835-00860

REV

02

SCALE

DO NOT SCALE

PAGE

3

OF

4