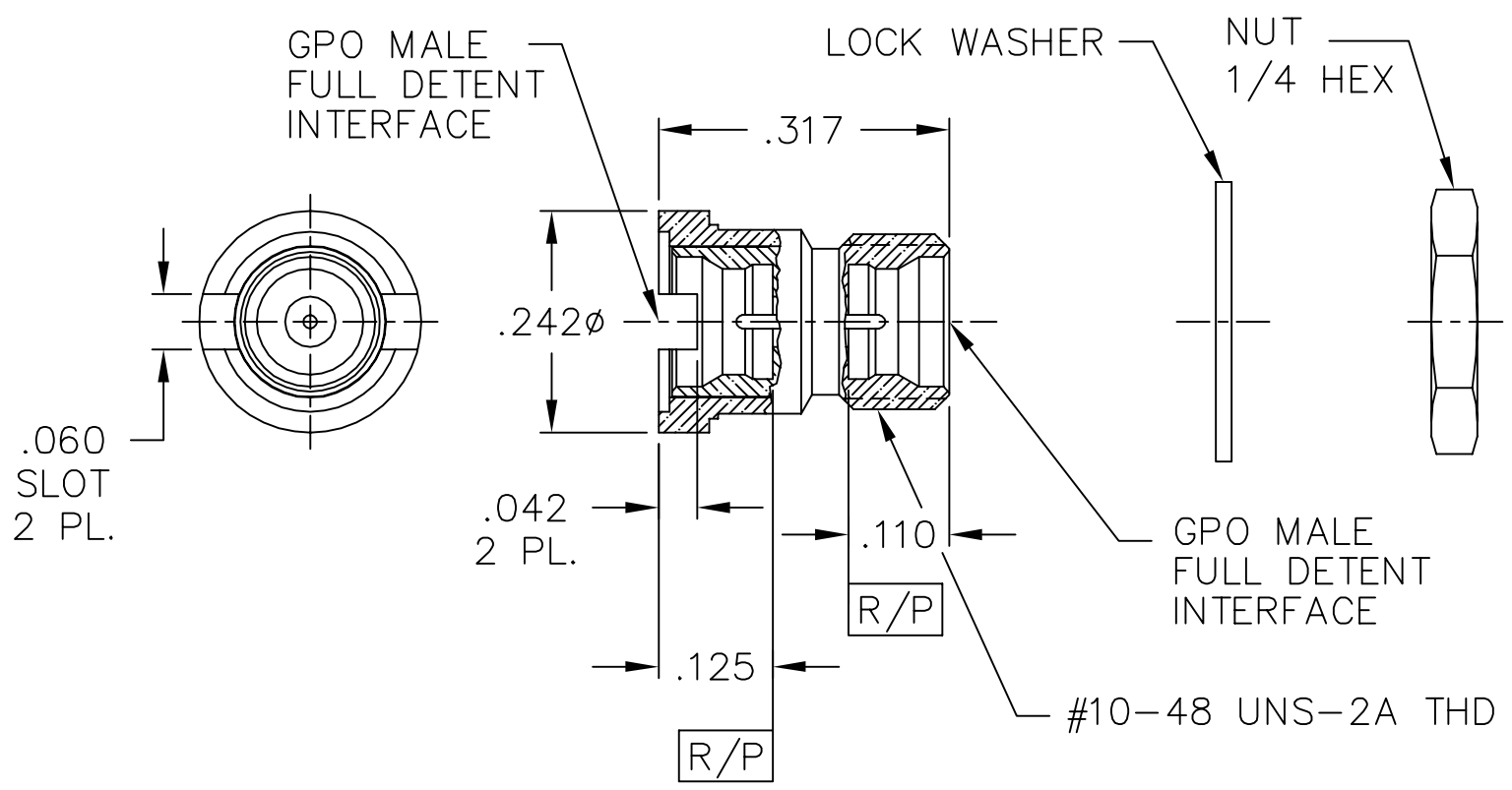


### MATERIAL AND FINISH

GPO HOUSINGS:	BERYLLIUM COPPER PER ASTM B196 AND/OR ASTM B197. GOLD PLATE PER MIL-G-45204; TYPE I, GRADE C, CLASS 1.
OUTER RING AND CENTER PIN:	IRON-NICKEL-COBALT SEALING ALLOY (KOVAR) PER ASTM F15-78. GOLD PLATE PER MIL-G-45204; TYPE 1, GRADE C, CLASS 1. OVER NICKEL PER QQ-N-290.
DIELECTRIC:	CORNING 7070 GLASS.
WASHER:	400 SERIES STAINLESS STEEL.
NUT:	CRES 303 PER ASTM A 484 AND ASTM A 582 OR ASTM A 555 AND ASTM A 581. PASSIVATE PER MIL-F-14072 E 300.



ALL DIMENSIONS ARE IN INCHES

CAT. NO. 0119-783-1

CODE IDENT NO. 82316

GILBERT ENGINEERING CO., INC.

BY	REL	DATE	6/23/93
CHECKED:			
SHT.	1	OF	1

TITLE	OUTLINE DRAWING FOR GPO MALE FULL DETENT TO GPO MALE FULL DETENT THREAD-IN HERMETIC FEED THROUGH		
DWG. NO.	SS-7275-1	REV	F