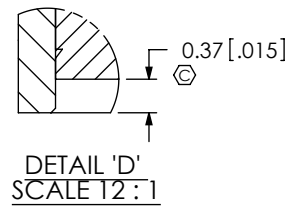
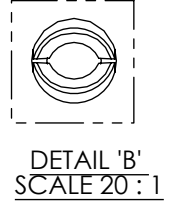
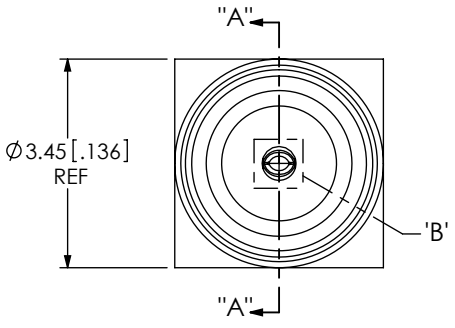


DO NOT SCALE FROM THIS PRINT

DESIGNED & DIMENSIONED IN MILLIMETERS [INCHES]

MMCX7-J-P-XX-ST-SM1-X-XX



IMPEDENCE
7: 75 OHM

GENDER
-J: JACK

TYPE
-P: PCB

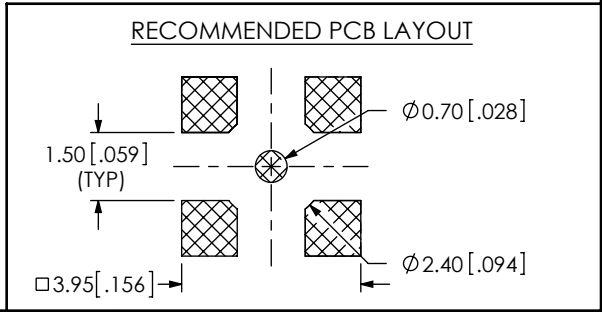
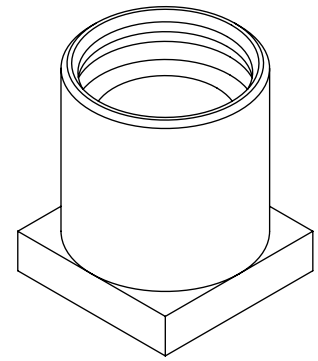
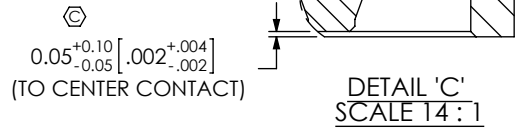
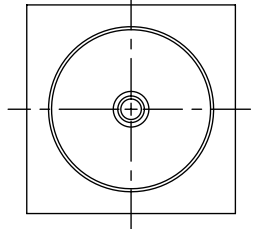
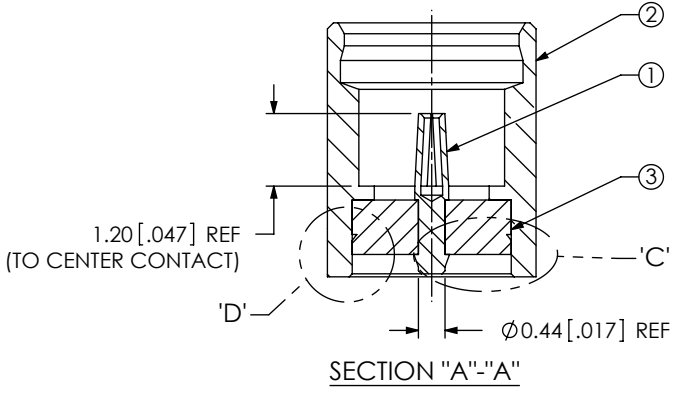
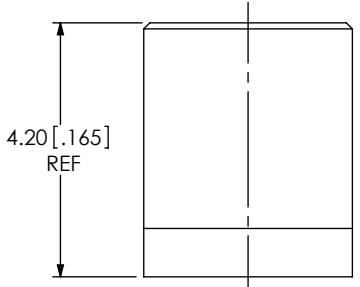
OPTION 2
-TR: TAPE & REEL (SEE NOTE 5)

OPTION 1
-K: KAPTON PAD USE K-500-300 (SEE SHEET 2 AND NOTE 5)

TERMINATION
-SM: SURFACE MOUNT

-ST: STRAIGHT ORIENTATION

PLATING SPECIFICATION
-HF: 30μ" GOLD CENTER CONTACT, 3μ" GOLD OUTER CONTACT
-GF: 10μ" GOLD CENTER CONTACT, 3μ" GOLD OUTER CONTACT (SEE TABLE 1)



ITEM	COMPONENT	-HF	-GF
1	SOCKET	MMCX7-J-P-H-ST-SM1-SKT	MMCX7-J-P-G-ST-SM1-SKT
2	SHELL	MMCX7-J-P-F-ST-SM1-SHL	
3	INSULATOR	MMCX7-J-P-ST-INS	

- NOTES:
- ⊗ REPRESENTS A CRITICAL DIMENSION.
 - PUSHOUT FORCE FOR INSULATOR: 22.24 N [5 LB] MIN.
 - PUSHOUT FORCE FOR CENTER CONTACT: 9.00 N [2.02 LB] MIN.
 - PRODUCT TO BE PACKAGED PER PACKAGING STANDARD CO-HD-WI-3040-M.
 - TAPE AND REEL ONLY AVAILABLE WITH KAPTON PAD AND VICE VERSA.
 - DELETED.

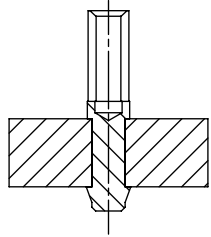
UNLESS OTHERWISE SPECIFIED, DIMENSIONS ARE IN MILLIMETERS. TOLERANCES ARE:
 DECIMALS ANGLES
 X.X: ±0.3 [.01] 5°
 X.XX: ±0.13 [.005]
 X.XXX: ±0.051 [.0020]

PROPRIETARY NOTE
 THIS DOCUMENT CONTAINS INFORMATION CONFIDENTIAL AND PROPRIETARY TO SAMTEC, INC. AND SHALL NOT BE REPRODUCED OR TRANSFERRED TO OTHER DOCUMENTS OR DISCLOSED TO OTHERS OR USED FOR ANY PURPOSE OTHER THAN THAT WHICH IT WAS OBTAINED WITHOUT THE EXPRESSED WRITTEN CONSENT OF SAMTEC, INC.

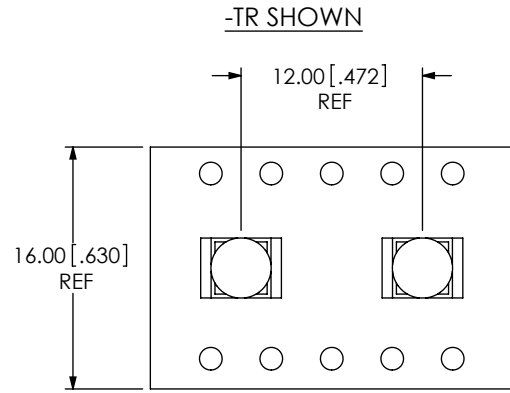
samtec
 520 PARK EAST BLVD., NEW ALBANY, IN 47150
 PHONE: 812-944-6733 FAX: 812-948-5047
 e-Mail: info@SAMTEC.com code 53322

MATERIAL: DO NOT SCALE DRAWING SHEET SCALE: 8:1
 SHELL: BRASS
 CONTACT: BeCu
 DIELECTRIC: PTFE

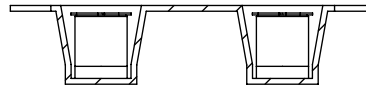
DESCRIPTION:
 MMCX7 75 OHM STRAIGHT SMT JACK FOR PCB
 DWG. NO.
MMCX7-J-P-XX-ST-SM1-X-XX



IN-PROCESS 1
INSERT SOCKET

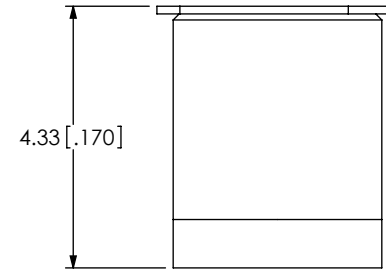
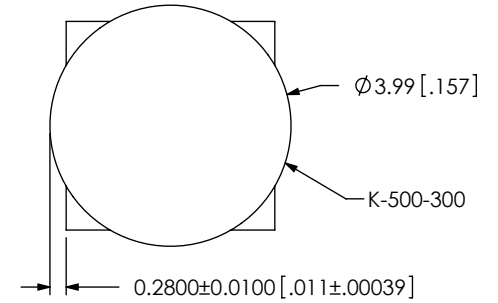


USER DIRECTION OF UN-REELING
POCKET NOT DETAILED →



PACKAGING VIEW

-K SHOWN



F:\DWG\MISC\MKTG\MMCX7-J-P-XX-ST-SM1-X-XX-MKT.SLDDRW

PROPRIETARY NOTE

THIS DOCUMENT CONTAINS INFORMATION CONFIDENTIAL AND PROPRIETARY TO SAMTEC, INC. AND SHALL NOT BE REPRODUCED OR TRANSFERRED TO OTHER DOCUMENTS OR DISCLOSED TO OTHERS OR USED FOR ANY PURPOSE OTHER THAN THAT WHICH IT WAS OBTAINED WITHOUT THE EXPRESSED WRITTEN CONSENT OF SAMTEC, INC.

DO NOT SCALE DRAWING

SHEET SCALE: 10:1



520 PARK EAST BLVD, NEW ALBANY, IN 47150
PHONE: 812-944-6733 FAX: 812-948-5047
e-Mail info@SAMTEC.com code 55322

DESCRIPTION:
MMCX 75 OHM STRAIGHT SMT JACK FOR PCB

DWG. NO.
MMCX7-J-P-XX-ST-SM1-X-XX

BY: ALVIN W 11/18/2010 SHEET 2 OF 2