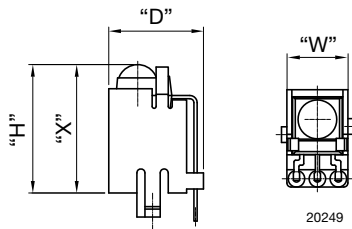
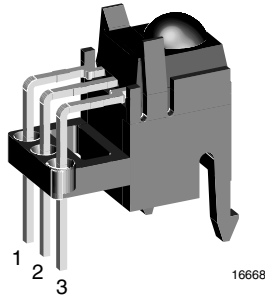


Top View Holder: D = 14 mm, H = 12 mm, W = 7.4 mm, X = 12 mm



FEATURES

- Material categorization: for definitions of compliance please see www.vishay.com/doc?99912



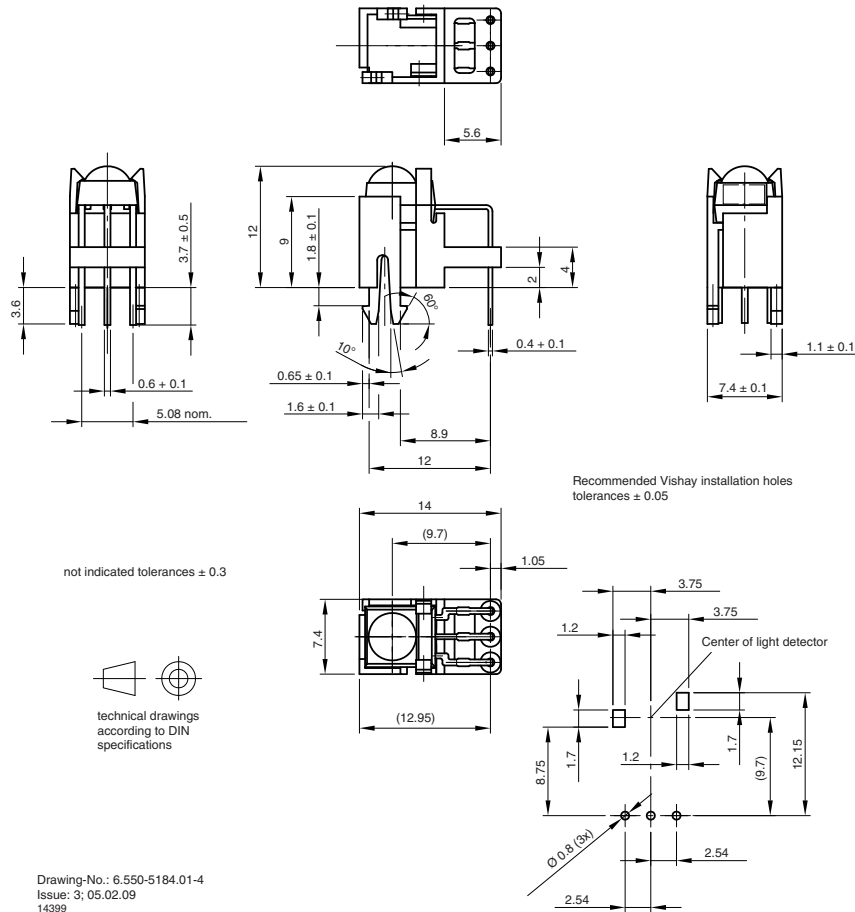
RoHS
COMPLIANT
HALOGEN
FREE
GREEN
(5-2008)

AVAILABLE FOR

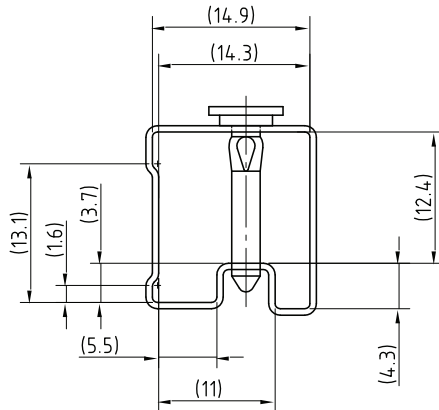
- Mold

NAME	LENS AXIS (X)	VIEW	TYPE	HEIGHT (H)	WIDTH (W)	DEPTH (D)
YA1	12	Top	Holder	12	7.4	14

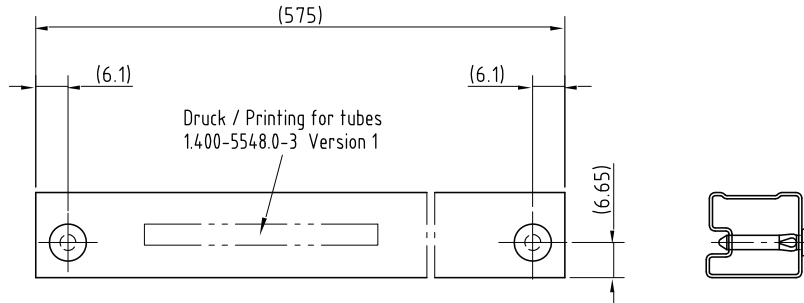
MECHANICAL DIMENSIONS in millimeters



PACKAGING DIMENSIONS in millimeters



Wanddicke/wall thickness: 0.6
Bohrungen durchgehend
holes on both sides

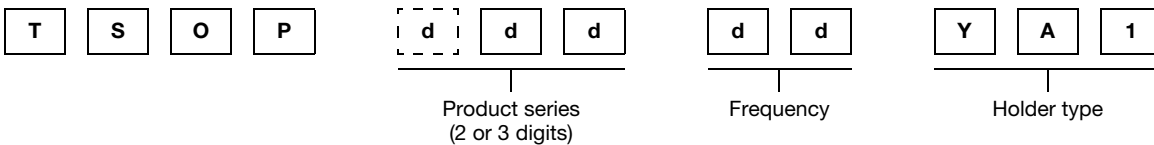


1:1

Drawing-No.: 9.700-5214.0-4
Rev. 8; Date: 21.04.06

20263-1

ORDERING INFORMATION



Note

- d = "digit", please consult the list of available series on the previous page to create a valid part number

Example: TSOP14838YA1

PACKING QUANTITY

- 75 pieces per tube
- 27 tubes per carton

Vishay offers plastic and metal holder which have different characteristics:

- Plastic Pros: nearly invisible behind the bezel
- Plastic Cons: cannot be reflow soldered, wave soldering deforms the hooks (visual issue only, the part is secured by the leads after soldering)
- Metal Pros: may be reflow and wave soldered, improves EMI and RF rejection
- Metal Cons: appears shiny behind the bezel, will oxidize over time (visual issue only, the holder functionality is not impaired)