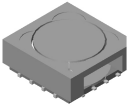
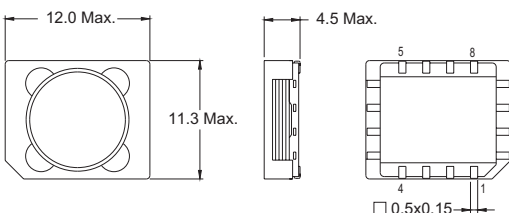
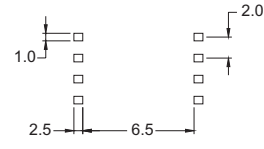
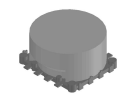
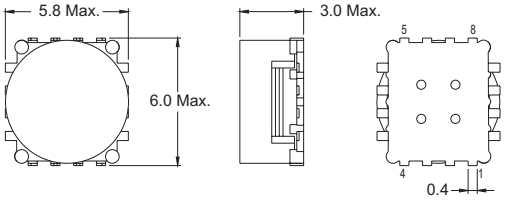
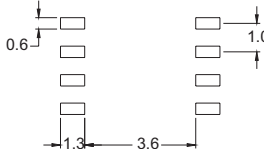
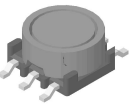
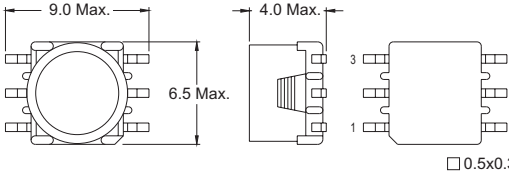
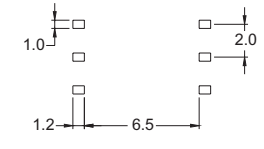
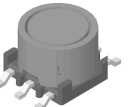
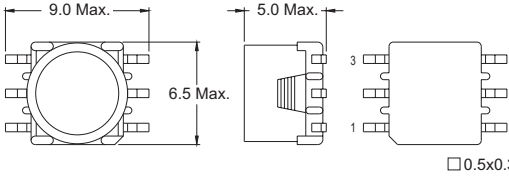
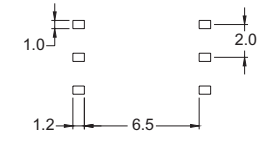
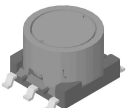
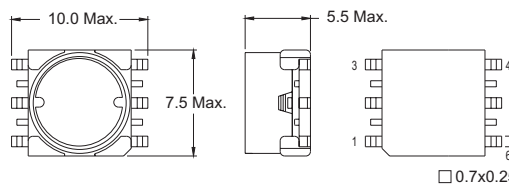
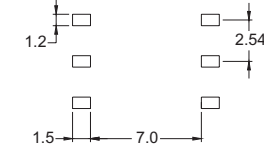
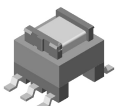
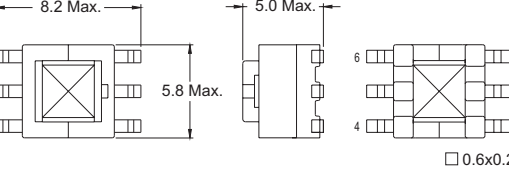



# DC/DC Converter Transformer

Type	Dimensions: UNIT : mm	Recommand Pad	Specifications
<b>SDD115</b> 			Max. Operation Freq. : 500KHz Max. Operation Power : 800mW @100KHz 2.0W @300KHz 3.0W @500KHz
<b>DDR63</b> 			Max. Operation Freq. : 1MHz Max. Operation Power : 280mW @300KHz 500mW @500KHz 900mW @1MHz
<b>DDR74</b> 			Max. Operation Freq. : 1MHz Max. Operation Power : 500mW @300KHz 800mW @500KHz 1500mW @1MHz
<b>DDR75</b> 			Max. Operation Freq. : 1MHz Max. Operation Power : 700mW @300KHz 1200mW @500KHz 2000mW @1MHz
<b>DDR86</b> 			Max. Operation Freq. : 1MHz Max. Operation Power : 1000mW @300KHz 1600mW @500KHz 2800mW @1MHz
<b>EE5.0</b> 			Max. Operation Freq. : 300KHz Max. Operation Power : 200mW @100KHz 800mW @300KHz



DELTA ELECTRONICS, INC.

(TAOYUAN PLANT CPBG) 252, SAN YING ROAD, KUEISAN INDUSTRIAL ZONE, TAOYUAN SHIEN, 333, TAIWAN, R.O.C.

TEL: 886-3-3591968; FAX: 886-3-3591991

<http://www.deltaww.com>