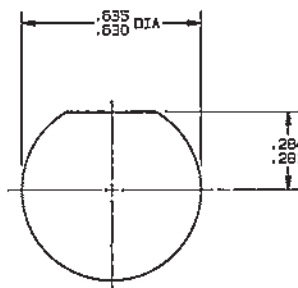
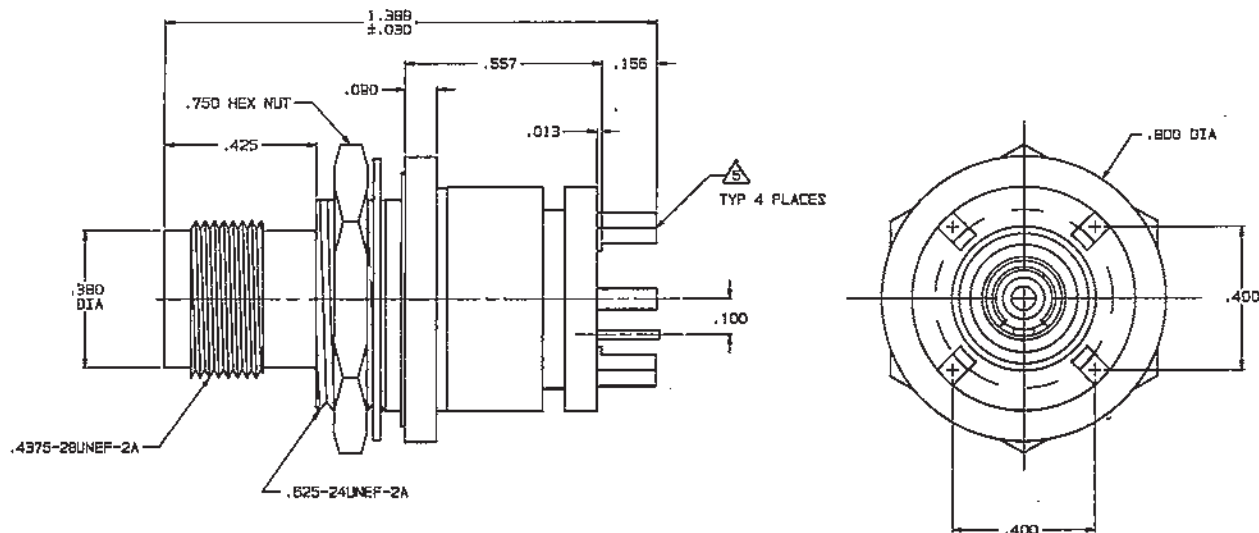


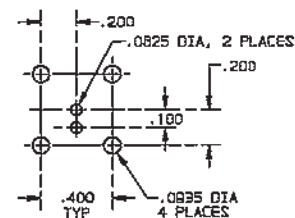
RED INDICATES ORIGINAL

C	DATA CONTAINED IN THIS DOCUMENT IS PROPRIETARY TO TROMPETER ELECTRONICS INC. AND SHALL NOT BE REPRODUCED, COPIED OR USED FOR PROCUREMENT OR MANUFACTURE WITHOUT EXPRESS WRITTEN PERMISSION.			REVISIONS		3-0293	SH 1
	REV	ED	DESCRIPTION	OWN	APPROVED	DATE	
	A		PRODUCTION RELEASE	OKC			

INCH	MM
.0010	0.025
.005	0.13
.013	0.33
.030	0.76
.060	1.52
.0625	1.59
.090	2.28
.0935	2.38
.100	2.54
.109	2.77
.156	3.95
.200	5.08
.281	7.14
.284	7.21
.380	9.65
.400	10.16
.425	10.80
.557	14.15
.630	16.00
.835	21.13
.750	19.05
.800	20.32
1.388	35.26



RECOMMENDED
PANEL CUTOUT



RECOMMENDED
MTG HOLE PATT
SCALE: NONE

△ PRE-TINNED, .0015 MAXIMUM THICKNESS WITH SN63 OR EQUIV SOLDER, PER GG-S-571, TO WITHIN .060 MAXIMUM OF SHOULDER, AFTER PLATING

4. MAXIMUM PANEL THICKNESS .100
3. FEMALE THREADED CONCENTRIC TWINAX / TRIAX CIRCUIT BOARD AND INSULATING BULKHEAD MOUNT RECEPTACLE
2. FINISH: TFS-1A (NICKEL)
1. ALL DIMENSIONS ARE IN INCHES

QTY	DESCRIPTION	PART NUMBER	ITEM
TOL UNLESS SPECIFIED .XX ± .XXX ± .005 .XXXX ± .010 ANGLES	TROMPETER RF connectivity	EBB J374	
DWN OKC 1-12-85	MATERIAL	CODE IDENT 14948	DRAWING NO. 3-0293
CHK Bm 1-23-95	ENGR	APPR FSL 1/23/95	REV A
NEXT ASSY	SCALE 4/1	DATE 1/23/95	SHEET 1 OF 2