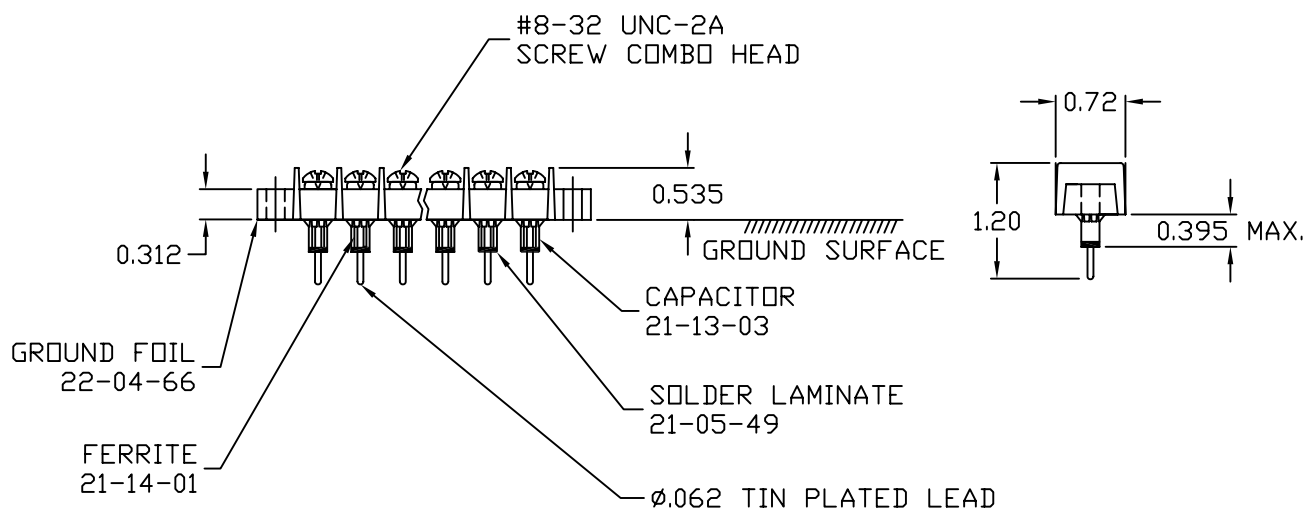
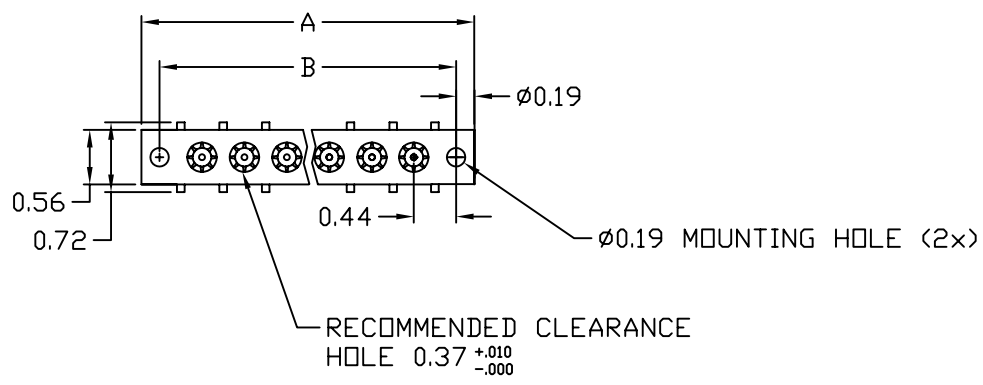


REVISIONS				
REV.	DESCRIPTION	DATE	APPROVED	
0	C.D.N. 2390	2/21/00	RS	
1	C.D.N. 2512	5/28/00	RPS	
2	C.D.N. 2652	9/26/00	RPS	
3	C.D.N. 2987			



PART NUMBER	POS.	- A -	- B -
52-00-40	2	1.687	1.312
52-00-41	3	2.125	1.750
52-00-42	4	2.562	2.187
52-00-43	5	3.000	2.625
52-00-44	6	3.437	3.062
52-00-45	7	3.875	3.500
52-00-46	8	4.312	3.937
52-00-47	9	4.750	4.375
52-00-48	10	5.187	4.812
52-00-49	11	5.625	5.250
52-00-50	12	6.062	5.687



MARKING: ORIENTATION N/A



OPPOSITE END

- NOTES:
1. WVDC: 100VDC (-50°C TO +100°C)
 2. CAPACITANCE: 5000pF/2500pF
 3. DIELECTRIC STRENGTH 1500 VDC
 4. I.R.: 1 GIGOHM MIN AT 500 VDC
 5. VD RATED FOR FLAMMABILITY PER UL94.
 6. CURRENT RATING: 20 AMP
 7. D.C.R.: .01 OHM MAX.
 8. UL APPROVED.
 9. MAX TORQUE: 9 IN-LBS.

FSC#	SIZE	ITEM	DESCRIPTION	REQ'D.	PART NUMBER
0D3H0	C		TERMINAL BLOCK ASSEMBLY INPUT		
UNLESS OTHERWISE SPECIFIED DIMENSIONS ARE IN INCHES TOLERANCES DECIMALS XX: .03 XXX: ±.030 ANGLES X°: ±1° X°X': ±30'		DATE: 08/20/99 DRAWN BY: JMAJERONI MATERIAL: N/A FINISH: N/A 63 ✓ UNLESS OTHERWISE SPECIFIED SURFACE ROUGHNESS PER ANSI Y14.36-1978	PARTS LIST TERMINAL BLOCK ASSEMBLY INPUT CARON ENTERPRISES INC A SUBSIDIARY OF AirBorn, Inc 2700 MECHANIC STREET LAKE CITY, PA 16423 PH# 814-774-5658 FX# 814-774-2245		
DO NOT SCALE DRAWING		THIS DOCUMENT AND DRAWINGS, SKETCHES AND SCHEMATIC PLANS ARE THE PROPERTY OF CARON ENTERPRISES INC. AND NO PARTS THEREOF MAY BE REPRODUCED OR USED WITHOUT THE WRITTEN CONSENT OF THE OWNER.		DRAWING NO: 52-00-40/50	REV: 3
THIS IS A CARON PRODUCED DRAWING. ALL REVISIONS SHALL BE CAD GENERATED		SCALE: 1:1	FILE NAME: 520040_50	SHEET: 1 of 1	