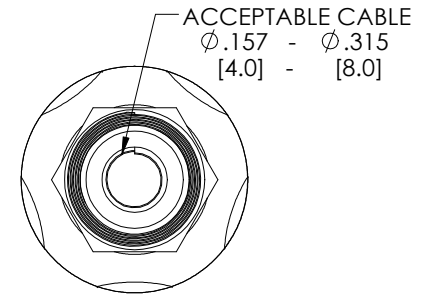
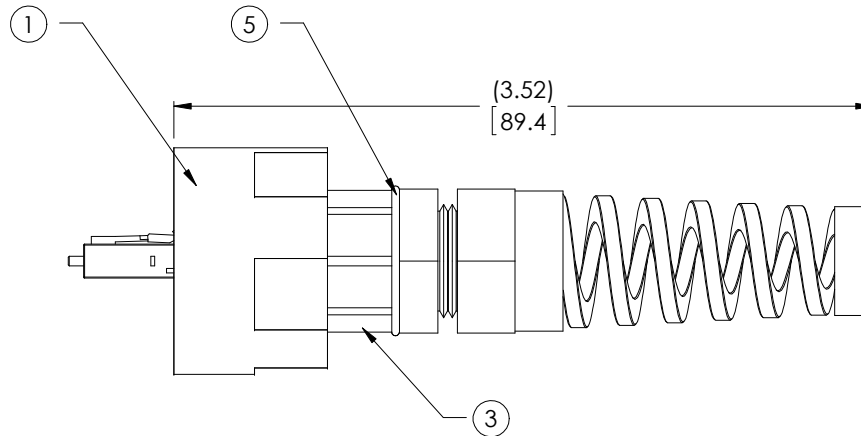
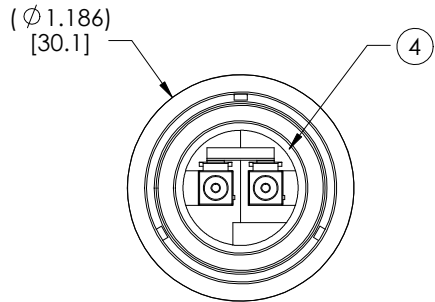
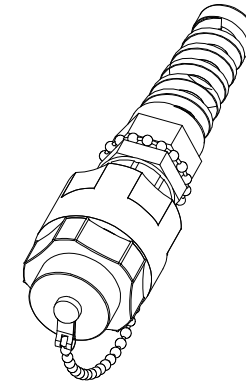
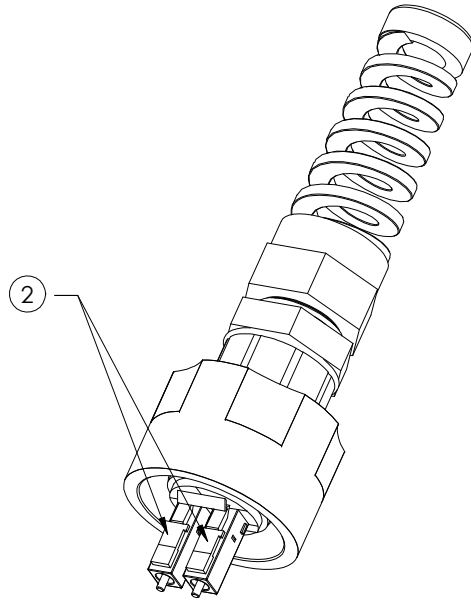


THE INFORMATION CONTAINED IN THIS DRAWING IS THE SOLE PROPERTY OF L-COM, INC. ANY REPRODUCTION IN PART OR WHOLE WITHOUT THE WRITTEN PERMISSION OF L-COM, INC. IS PROHIBITED.

REVISIONS			
REV	DESCRIPTION	DATE	APPROVED
A	INITIAL RELEASE	07/18/17	J.YOU

ITEM NO	DESCRIPTION	QTY
1	COLLAR NUT	1
2	LC CONNECTOR	2
3	LC CONNECYOR HOUSING	1
4	COMPRESSION SEAL	1
5	O-RING	1
-	POLY BAG	1
-	CARTON	1/20
-	INSTRUCTION	1/20



NOTES:

1. MATERIAL: COLLAR NUT, CONNECTOR HOUSING - GLASS FILLED PBT.
2. FOR MORE INFORMATION, CONTACT A SIEMON CUSTOMER SERVICE REPRESENTATIVE.
3. LC PLUG ACCEPTS MULTIMODE, ROUND BREAK OUT STYLE FIBER.

REGULATORY COMPLIANCE:
CE2011/65/EU (ROHS DIRECTIVE)

UNLESS OTHERWISE SPECIFIED, DIMENSIONS ARE IN INCHES [mm] OVERALL CABLE LENGTH TOLERANCE: ≤12 [305] = +1 [25] / -0 >12 [305] ≤60 [1524] = +2 [51] / -0 >60 [1524] ≤120 [3048] = +4 [102] / -0 >120 [3048] ≤300 [7620] = +6 [152] / -0 >300 [7620] = +3% / -0%	APPROVALS	DATE		50 HIGH STREET NORTH ANDOVER, MA 01845
	DRAWN BY J.YOU	07/18/17		
ALL OTHER DIMENSIONAL TOLERANCES: .X = ± .2 [5.08] .XX = ± .02 [1.51] .XXX = ±.005 [1.13]	CHECKED BY P.NEWTON	07/18/17	CATEGORY	
	APPROVED BY P.NEWTON	07/18/17	FIBER OPTICS	
PROJECTION	CONFIGURATION DETAILS OF UNDIMENSIONED FEATURES MAY VARY	PRODUCT DESCRIPTION		
	COLOR VARIATIONS MAY OCCUR	INDUSTRIAL DUPLEX LC CONNECTOR		
		SIZE A	FSCM NO. 43321	DWG. NO. FOC-XPLC2-MM
		SCALE: NONE		CAD FILE: FOC-XPLC2-MM.SLDRW
		SHEET 1 OF 1		