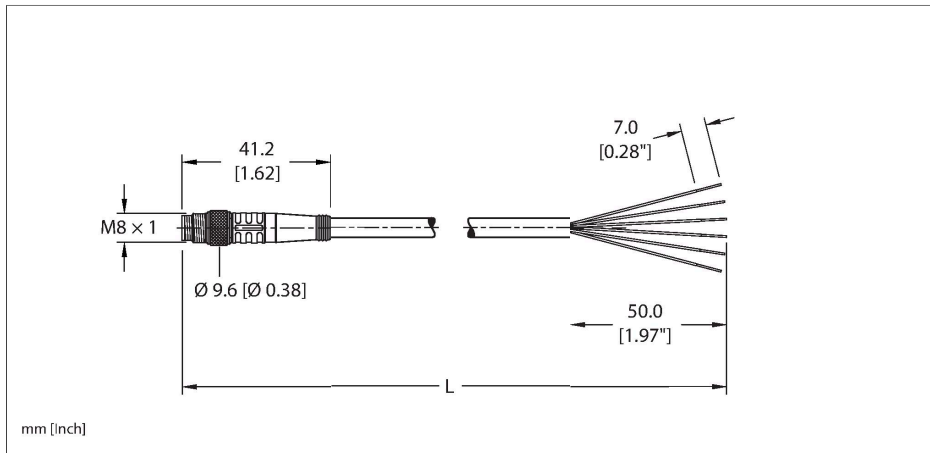


# PSG 6M-15/S90

## Actuator and Sensor Cordset – Connection Cable

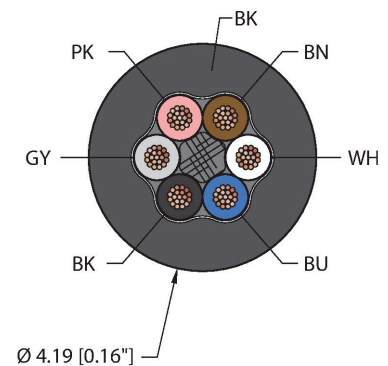


### Features



- M8, Male, Straight, 6-pin
- Threaded Connector
- General Purpose Cable
- TPU jacket, Black, 6X26 AWG
- -40 Cold Bend Rating
- Flame Ratings: UL1061, CSA FT1
- Cable length: 15 m

### Cable cross section

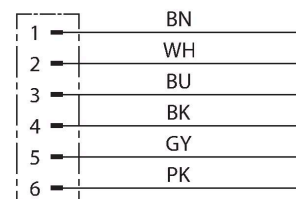


### Contact assignment

Connector A



### Circuit Diagram



### Technical data

Type	PSG 6M-15/S90
ID no.	U-99218
Connector A	Male, M8 × 1, Straight
Design specification	Acc. to IEC 61076-2-104
Number of Pins	6
Contacts	Brass, CuZn, Gold-plated
Contact carriers	Plastic, Nylon or TPU, Black
Connector body	Plastic, TPU, Yellow
Coupling nut	Brass, CuZn, Nickel-plated
Tightening torque (range)	0.4 ... 0.8 Nm (note max. torque of mating connector!)
Mechanical life	> 100 Mating cycles
Pollution degree	3
Protection class (When coupled)	IP67, IP68
	NEMA: 1, 3, 4, 6P
<b>Cable data</b>	
Cable ID	RF50735
Total number of conductors	6
Cable diameter	Ø 4.19 mm
Cable length (L)	15 m, (+50mm or 4% of length/-0.0, Whichever is greater)
Cable jacket	TPU, Black
Conductor diameter	0.033 "
Conductor material	TC (tinned copper)
Conductor insulation material	SR-PVC

## Technical data

Conductor size	6 x 26 AWG [Similar to 0.14 mm <sup>2</sup> ]
Number of strands x O.D.	19 x 38 AWG
Conductor colors	BN, WH, BU, BK, GY, PK
<b>Electrical properties at +20 °C</b>	
Rated voltage	125 VAC/DC
Current	2 A
<b>Mechanical and chemical properties</b>	
Bending radius (static)	≥ 5 x Ø
Bending radius (dynamic)	≥ 10 x Ø
Cold bend rating	-40 °C
Ambient temperature range (static)	-40 °C...+90 °C
Ambient temperature range (dynamic)	-40 °C...+90 °C
Temperature range (installation)	-20 °C...+90 °C
<b>Approval</b>	
Approvals	UL Listed CSA CE RoHS
<b>Note</b>	
<p>- Flex ratings may be reduced if used in extreme temperatures, exposure to certain chemicals, operating above the rated cycle speed, or operating below the rated cable bend radius.</p> <p>- We reserve the right to make technical alterations without prior notice.</p>	