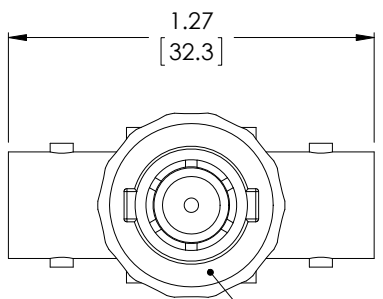
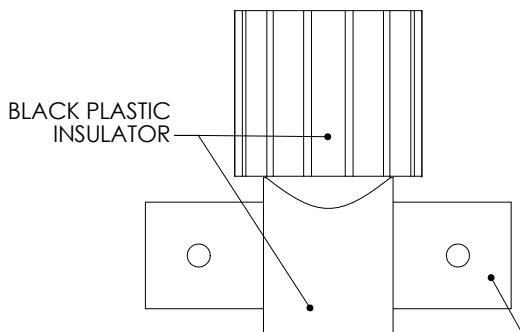
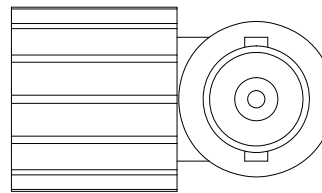


THE INFORMATION CONTAINED IN THIS DRAWING IS THE SOLE PROPERTY OF L-COM, INC. ANY REPRODUCTION IN PART OR WHOLE WITHOUT THE WRITTEN PERMISSION OF L-COM, INC. IS PROHIBITED.

REVISIONS			
REV	DESCRIPTION	DATE	APPROVED
A	RELEASED FOR PRODUCTION	11/20/01	MCCORMICK
B	ECN 3192: UPDATE DWG FORMAT	2/6/08	D.GRIFFIN
C	ECN 7890: UPDATED FORMAT, PACKAGING, ROHS	4/2/15	D.DESJARDIN



BNC MALE CONNECTOR  
50 OHMS



BLACK PLASTIC INSULATOR

2X BNC FEMALE CONNECTOR  
50 OHMS

**NOTES:**

- METAL ALLOY WITH CHROME PLATED FINISH, INSULATOR: BLACK PLASTIC
- ADAPTER SHALL BE TESTED FOR CONTINUITY.
- ADAPTER SHALL BE INDIVIDUALLY PACKAGED IN ACCORDANCE WITH L-COM SPECIFICATION PS-0031.

**REGULATORY COMPLIANCE:**  
CE2011/65/EU(RoHS DIRECTIVE)

UNLESS OTHERWISE SPECIFIED, DIMENSIONS ARE IN INCHES [mm] OVERALL CABLE LENGTH TOLERANCE: ≤12 [305] = +1 [25] / -0 >12 [305] ≤60 [1524] = +2 [51] / -0 >60 [1524] ≤120 [3048] = +4 [102] / -0 >120 [3048] ≤300 [7620] = +6 [152] / -0 >300 [7620] = +5% / -0%	APPROVALS	DATE		45 BEECHWOOD DRIVE NORTH ANDOVER, MA 01845
	DRAWN BY MCCORMICK	11/16/01		CATEGORY
ALL OTHER DIMENSIONAL TOLERANCES: .X = ± .2 [5.08] .XX = ± .02 [1.51] .XXX = ±.005 [1.13]	CHECKED BY D.PARHAM	11/06/01	PRODUCT DESCRIPTION	
	APPROVED BY R.CARRICK	11/16/01	ADAPTER TEE BNC F/M INSUL/ F	
PROJECTION	CONFIGURATION DETAILS OF UNDIMENSIONED FEATURES MAY VARY		SIZE <b>A</b>	FSCM NO. <b>43321</b>
	COLOR VARIATIONS MAY OCCUR		DWG. NO. <b>BIF-TB1</b>	REV. <b>C</b>
	REF	SCALE: NONE	CAD FILE: BIF-TB1.SLDDRW	SHEET 1 OF 1