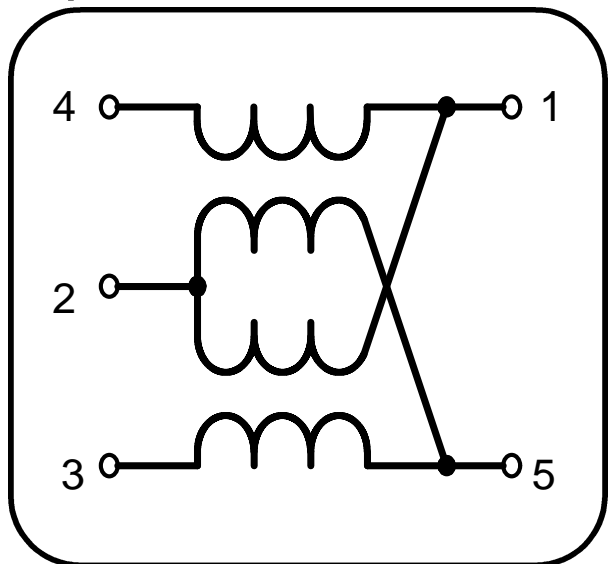


2012 Size

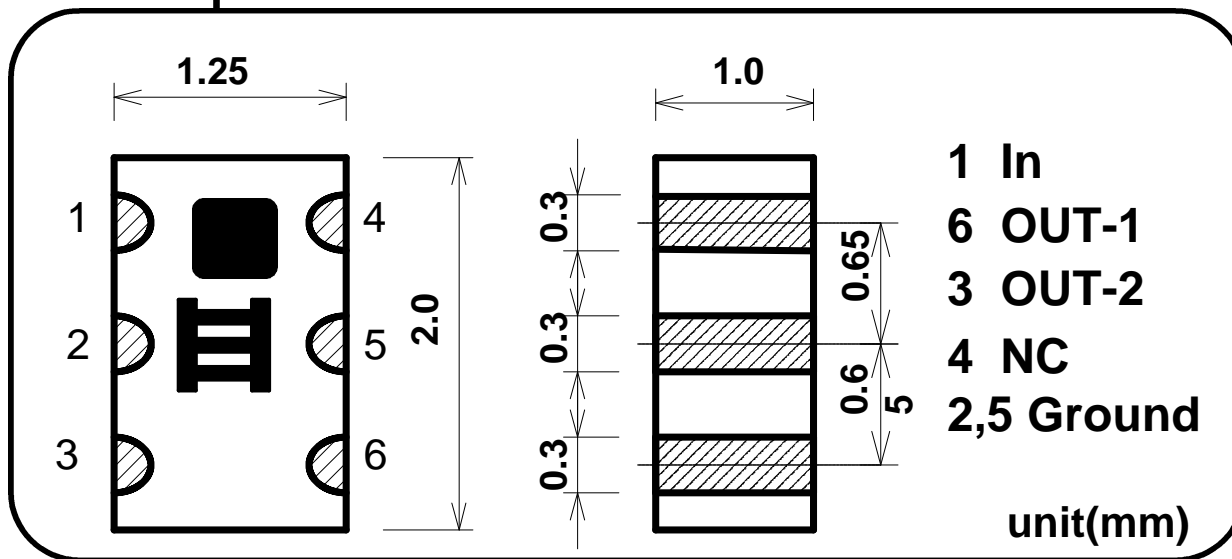
3.7GHz Band
Chip Multilayer RF Transformer
Balun for LO

SLT-S370NS-K

Equivalent Circuits



Shape & Size



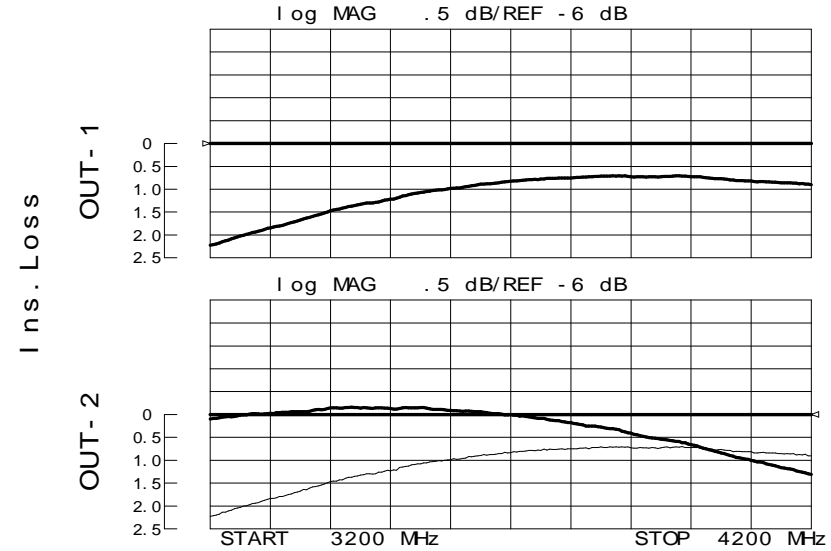
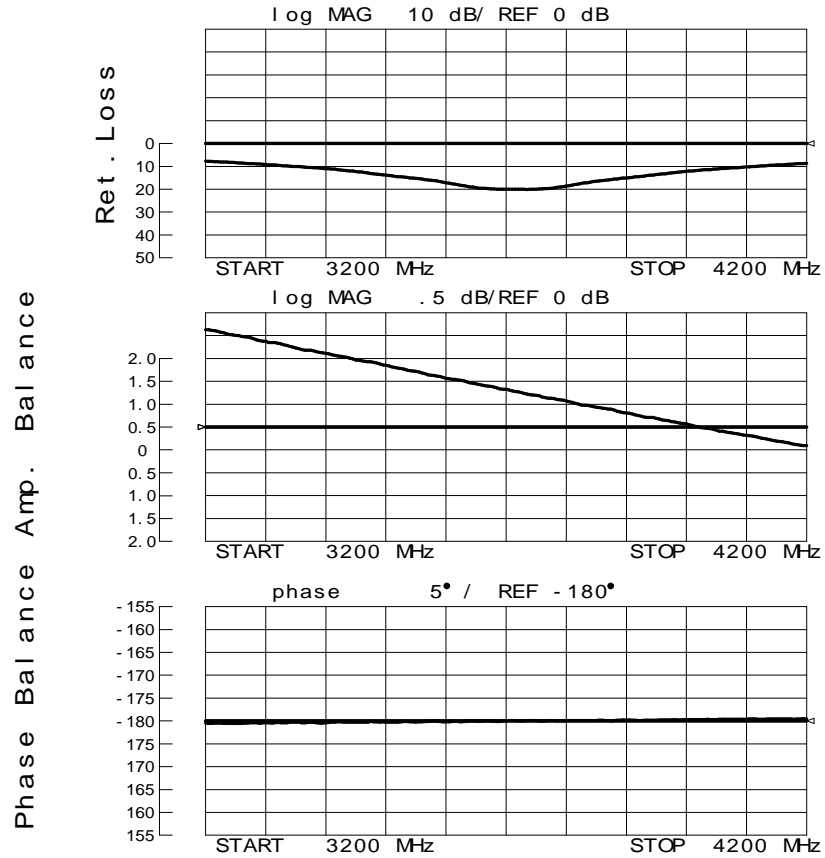
Specifications

P/N	Frequency Range(GHz)	Impedance	Insertion Loss*1	Amplitude Balance	Phase Balance	Handling Power	Temperature Range
SLT-S370NS-K	3.55-4.0	50:50	2.0dB Max.	2.0dB Max.	180 +/-20deg.	100mW Max.	-35 to +85 deg.C

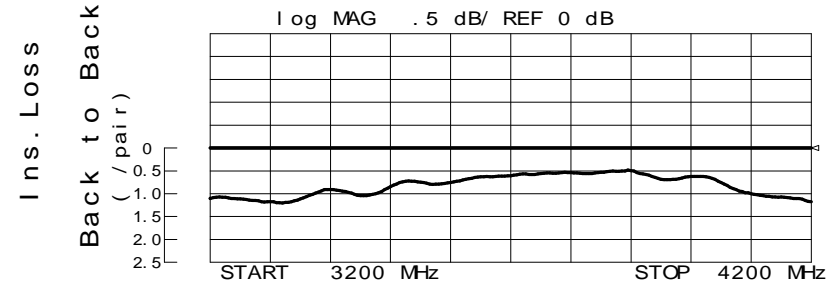
*1:Back to Back(/piece)

"All the technical data and information contained herein are subject to change without notice."

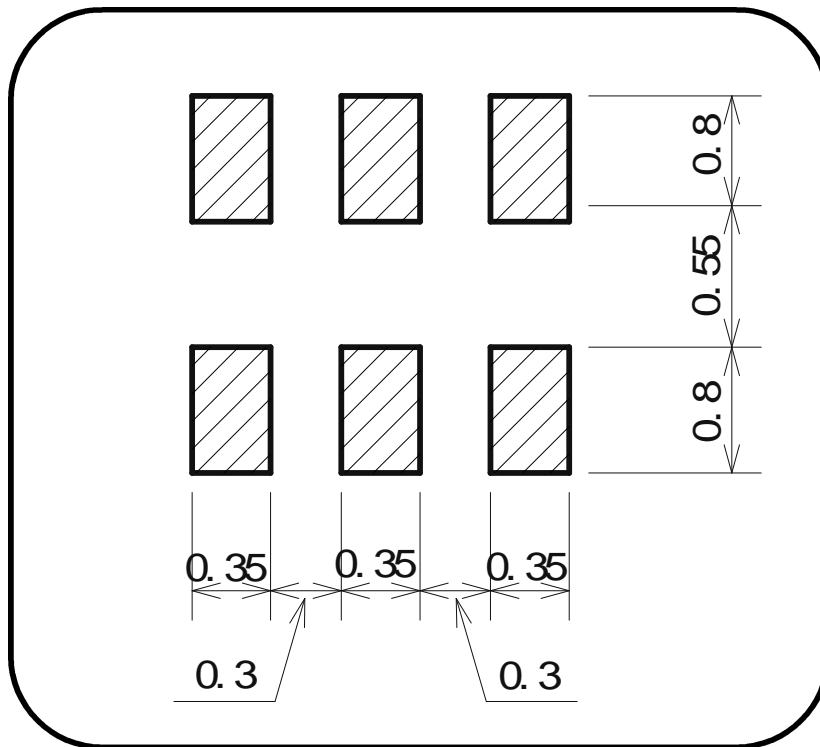
SLT-S370NS-K Sample Data



Insertion Loss(Out 1, Out 2):
measurement-splitting loss-resistor loss



Foot Pattern



Foot Pattern Example

